



- 10/100 Base T for LAN, WAN and other Ethernet applications
- Meets IEEE 802.3 specification
- Standard Operating Temp: 0°C +70°C



Electrical Specifications @ 25°C

OCL(μH Min) @100KHz, 0.1V	Turns Ratio (±5%)		Return Loss (dB Min)	Cross Talk (dB Min)	Insertion Loss (dB Max)	CMR (dB Min)	Isolation Voltage Vrms/0.5mA
	TX=1CT:1CT	RX=1CT:1CT					
With 8mA DC Bias	1:1	1:1	5-10MHz	1-10MHz	1-10MHz	30-100MHz	1200
150	1:1	1:1	-13.5	-30	-1.0	-30	

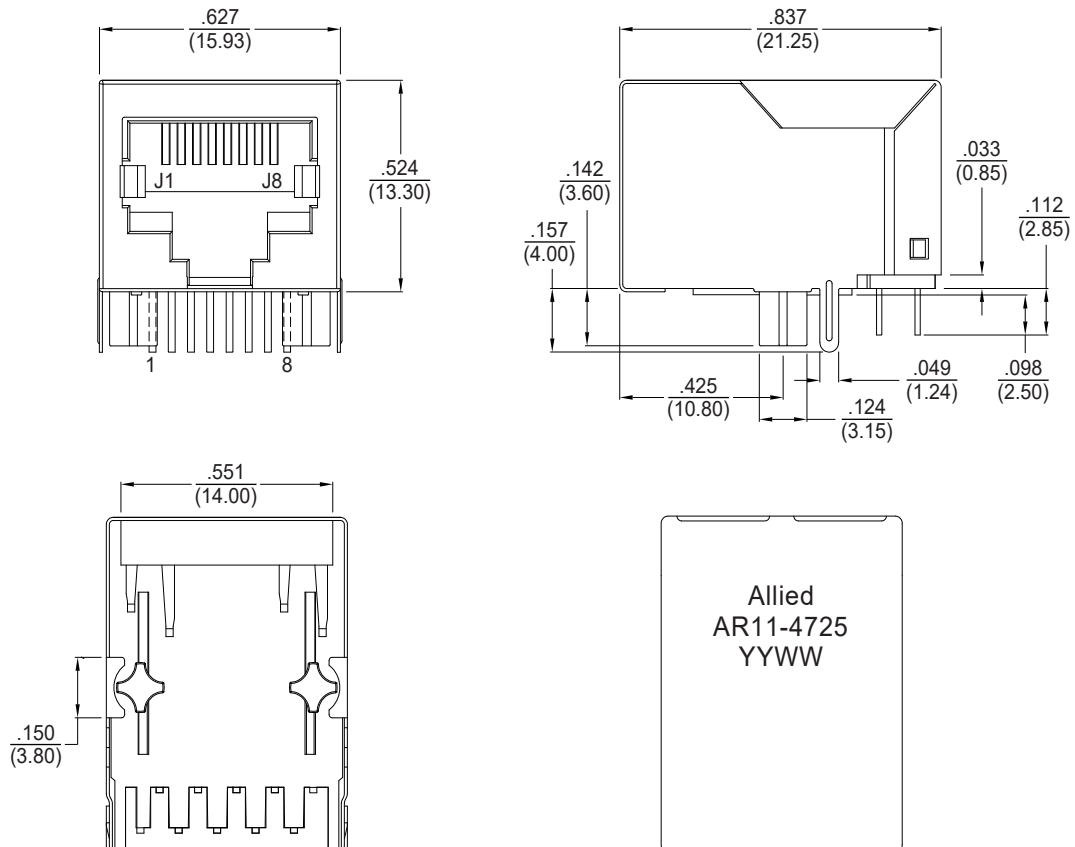
Electrical Specifications @ 25°C

Attenuation							
20MHz	20MHz	25MHz	25MHz	30MHz	30MHz	40MHz	40MHz
TX	RX	TX	RX	TX	RX	TX	RX
-5	-4.2	-18	-11	-28	-16	-33	-26

All specifications subject to change without notice.

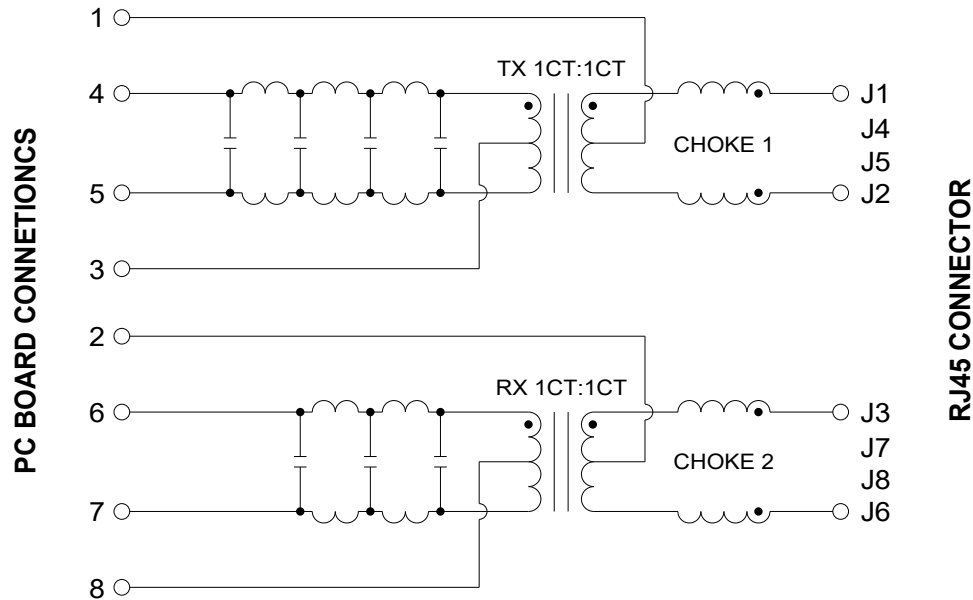
MECHANICAL

Dimensions: $\frac{\text{inch}}{\text{mm}}$



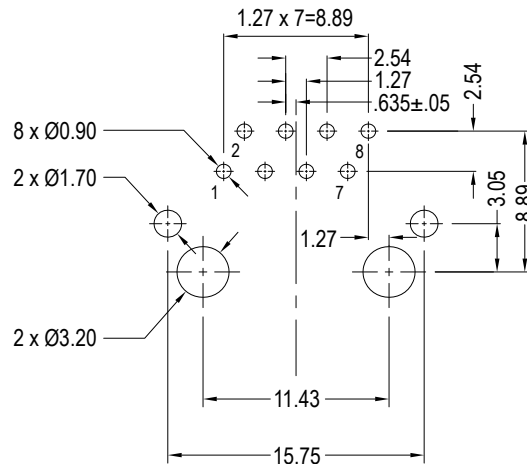


SCHEMATIC



PCB LAYOUT

Dimensions: mm

Tolerance is $\pm 0.25\text{mm}$ unless otherwise specified

NOTES

- Connector Materials:
 Housing: Thermoplastic PBT+30% G.F. UL94V-0
 Contact: Phosphor Bronze C5210R-EH Thickness = 0.35mm
 Pins: Brass C2680R-H Thickness = 0.35mm
 Shield: SUS 201-1/2H Thickness = 0.20mm
 Contact Plating: Gold $6\mu\text{m}$ min. in contact area
- Wave solder peak temperature: 265°C max, 5 sec. max