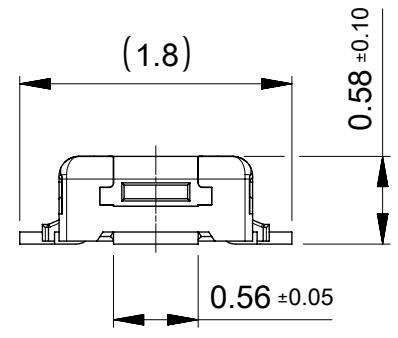
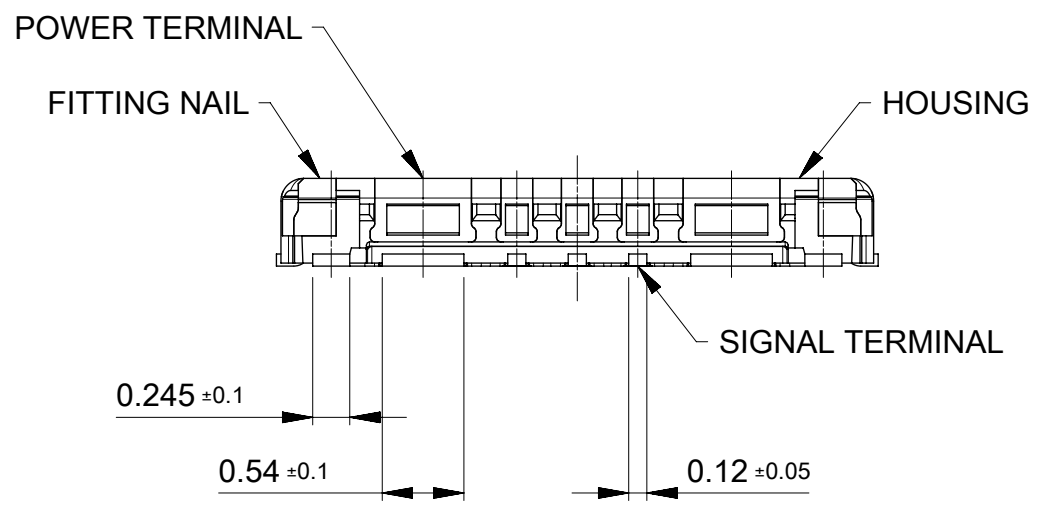


Lot No. with Laser(Month Day)

Month	JAN-SEP	OCT	NOV	DEC
Marking	1-9	A	B	C

C01A

— MACHINE NO.
— DAY(1~31)
— MONTH

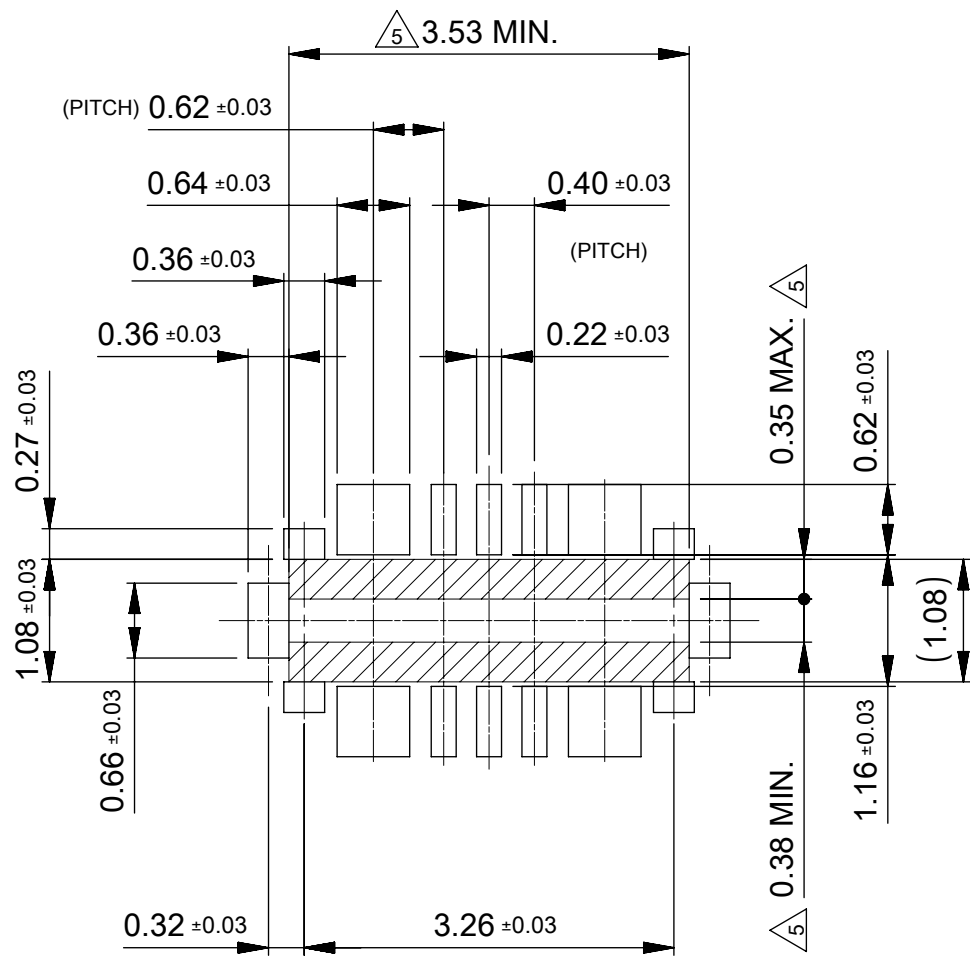


NOTES

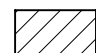
1. MATERIAL
HOUSING : LIQUID CRYSTAL POLIMER UL94V-0 (COLOR : BLACK)
TERMINAL : COPPER ALLOY
FITTING NAIL : COPPER ALLOY
2. PLATING
TERMINAL :
CONTACT AREA : SEPERATED GOLD PLATING(0.1μm MINIMUM)
SOLDER TAIL AREA : SEPERATED GOLD PLATING(0.05μm MINIMUM)
UNDER PLATING : NICKEL OVERALL(1.0μm MINIMUM)
* DIVIED INTO PARTS THE GOLD PLATING OF THE CONTACT AND THE TAIL PART BY THE NICKEL PLATING.
FITTING NAIL :
CONTACT AREA : SEPERATED GOLD PLATING(0.1μm MINIMUM)
SOLDER TAIL AREA : SEPERATED GOLD PLATING(0.05μm MINIMUM)
UNDER PLATING : NICKEL OVERALL(1.0μm MINIMUM)
* DIVIED INTO PARTS THE GOLD PLATING OF THE CONTACT AND THE TAIL PART BY THE NICKEL PLATING.
3. MATE WITH : 2166560**0
4. TAIL AND FITTING NAIL COPLANARITY TO BE 0.08 MAXIMUM.
5. PROHIBITED AREA OF PATTERN WIRING AND SOLDER.
(FOR EACH AREA, THE WIRING THAT TOUCHES ON THE SOLDER CAN BE ATTACHED, THEN COVERED WITH A FILM TO KEEP SOLDER OUT)

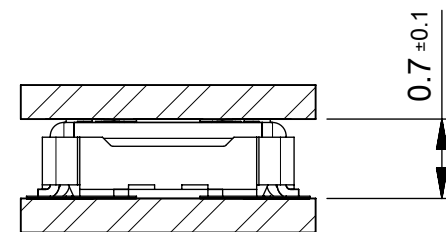
0.80	2.04	3.26	3.98	2166570109	O	---	6+4P
D	C	(B)	A	EMBOSSSED TAPE PACKAGE	HIGH VOL. TOOL	LOW VOL. TOOL	Ckts
				ORDER No.	SAMPLE PREPARATION		
					O : TOOLED		
					□ : WORK PROCESS		
					--- : TOOLING TO BE CONFIRMED		
CONNECTOR SERIES No. : 2166570**0							

FUNCTIONAL SYMBOLS ▽A = 0 ▽E = 0 ▽F = 0	THIS DRAWING CONTAINS INFORMATION THAT IS PROPRIETARY TO MOLEX ELECTRONIC TECHNOLOGIES, LLC AND SHOULD NOT BE USED WITHOUT WRITTEN PERMISSION	CURRENT REV DESC:		molex		
	FUNCTIONAL DIMENSION UNITS	SCALE	EC NO: 676351 DRWN: BKBAE CHK'D: SHCHU APPR: SHCHU INITIAL REVISION: DRWN: JHCHANG APPR: SHCHU		0.4 BB CONN. H=0.7 NEW GCB7 PLUG ASSY FOR BATTERY(15A)	
	GENERAL TOLERANCES (UNLESS SPECIFIED)				PRODUCT CUSTOMER DRAWING	
	ANGULAR TOL	± 3.0°			DOCUMENT NUMBER	DOC TYPE
4 PLACES	± 0.1	2021/09/02				
3 PLACES	± 0.1	2021/09/03				
2 PLACES	± 0.1	2021/09/03				
1 PLACE	± 0.1					
0 PLACES	± 0.2					
DRAFT WHERE APPLICABLE MUST REMAIN WITHIN DIMENSIONS	THIRD ANGLE PROJECTION	DRAWING	SERIES	MATERIAL NUMBER	CUSTOMER	SHEET NUMBER
	⊕	A3-SIZE	216657	SEE CHART	GENERAL	1 OF 2



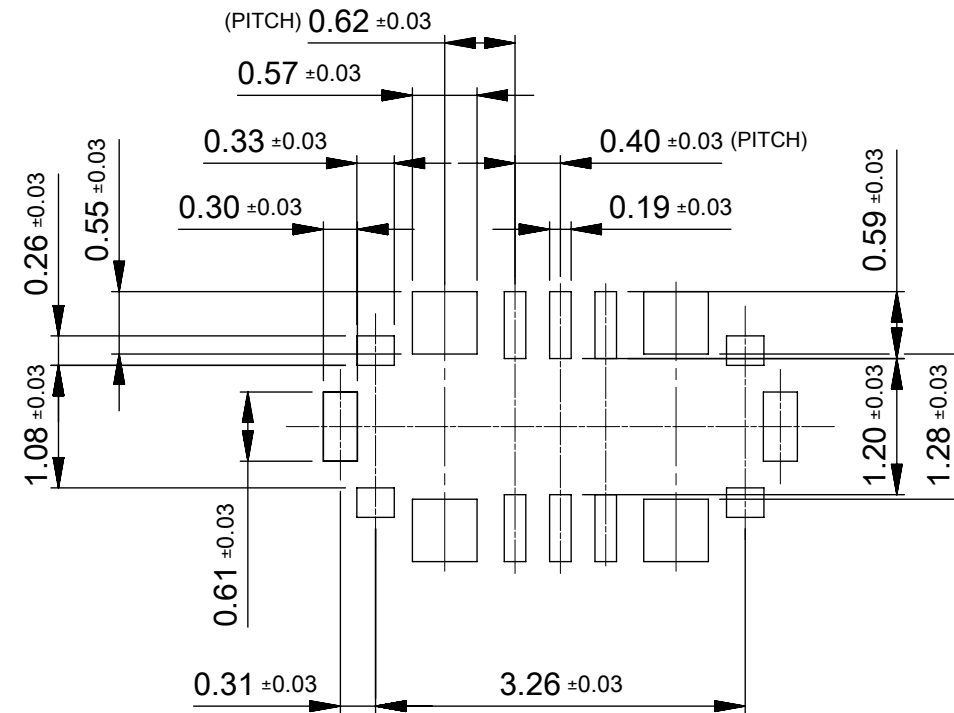
RECOMMENDED P.C.BOARD PATTERN LAYOUT
(FOR REFERENCE)

 SOLDERING PROHIBITED AREA.
WHEN WIRING IS LOCATED,
THE WIRING MUST BE MASKED BY COVER LAY OR RESIST FILM.



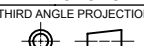
MATING CONDITION

THIS DIMENSION SHOWS A DIMENSION BETWEEN THE TAIL TO TAIL.



RECOMMENDED METAL MASK LAYOUT
(FOR REFERENCE)

RECOMMENDED THICKNESS : 0.08mm
RECOMMENDED APERTURE DIMENSION IS JUST SAME AS SHOWN FIGURE ABOVE.
FOR THIS DIMENSION, APERTURE RATIO ARE POWER, SIGNAL TERMINAL 55% AND
FITTING NAIL 80%.

FUNCTIONAL SYMBOLS	THIS DRAWING CONTAINS INFORMATION THAT IS PROPRIETARY TO MOLEX ELECTRONIC TECHNOLOGIES, LLC AND SHOULD NOT BE USED WITHOUT WRITTEN PERMISSION		CURRENT REV DESC:		molex			
	△/A = 0	mm						15:1
DIVISIONAL SYMBOLS	GENERAL TOLERANCES (UNLESS SPECIFIED)		EC NO: 676351		0.4 BB CONN. H=0.7 NEW GCB7 PLUG ASSY FOR BATTERY(15A)			
	△/E = 0	ANGULAR TOL ± 3.0°		DRWN: BKBAE				2021/09/02
	△/F = 0	4 PLACES	± 0.1	CHK'D: SHCHU	2021/09/03			
		3 PLACES	± 0.1	APPR: SHCHU	2021/09/03			
		2 PLACES	± 0.1	INITIAL REVISION:		DOCUMENT NUMBER	DOC TYPE	DOC PART
	1 PLACE	± 0.1	DRWN: JHCHANG	2020/10/26	2166570100-SD	PSD	001	A2
	0 PLACES	± 0.2	APPR: SHCHU	2021/09/03	SEE CHART	GENERAL	SHEET NUMBER	
DRAFT WHERE APPLICABLE MUST REMAIN WITHIN DIMENSIONS		THIRD ANGLE PROJECTION		DRAWING	SERIES	MATERIAL NUMBER	CUSTOMER	
				A3-SIZE	216657	SEE CHART	GENERAL	2 OF 2