

TABLE 1

| MOLEX P/N | ENG. NO. | LED |
|------------|-------------|-----|
| 1202510073 | BKB8010-FBB | NO |
| 1202510074 | BKB801P-FBB | YES |
| 1202510075 | BKB801N-FBB | YES |

TABLE 2 BILL OF MATERIAL

| ITEM | DESCRIPTION | MATERIAL | FINISH |
|------|-------------|---------------|------------------|
| 1 | LABEL | ABS | WHITE |
| 2 | SHELL | BRASS | NICKEL PLATED |
| 3 | CONTACT | BRASS | GOLD OVER NICKEL |
| 4 | CONTACT | BRONZE | GOLD OVER NICKEL |
| 5 | O-RING | FPM | RED |
| 6 | LED | NO LED = PA | BLACK |
| | | WITH LED = PA | TRANSPARENT |
| 7 | SHELL | BRASS | NICKEL PLATED |
| 8 | HOUSING | PBT | BLACK |

2X FIXING SLOT HOLES
SUITABLE FOR M4
SCREWS

107^{+0.5}_{0.0}

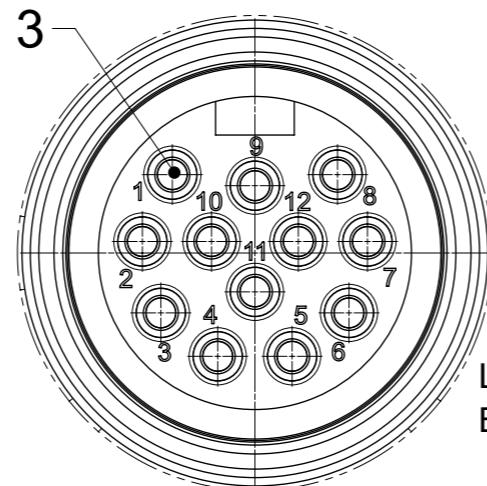
73

M 12 x1

2X FIXING SLOT HOLES
SUITABLE FOR M4
SCREWS

39
33

34
54



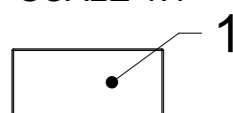
DETAIL B
SCALE 2:1
NOTE - PIN 12 NOT USED

LASER PRINTING:
BRAD LOGO

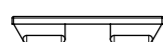
LASER PRINTING:
PN: 120251XXXX
ENG.: BKB801X-FBB
PO: XXXXXXXXX

57^{+0.7}_{0.0} 27 152^{+1.5}_{0.0}

SCALE 1:1



LABEL
9x packed in a bag



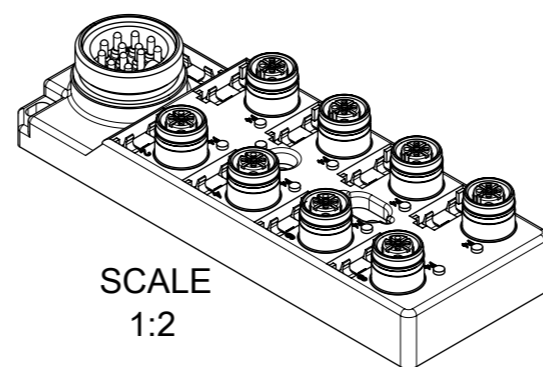
26.9^{+0.5}_{0.0}
6.5^{+1.0}_{0.0}

18
29.5^{+0.5}_{0.0}

GENERAL CHARACTERISTICS:

ELECTRICAL AND MECHANICAL DATA ACC. TO IEC 61076-2-101

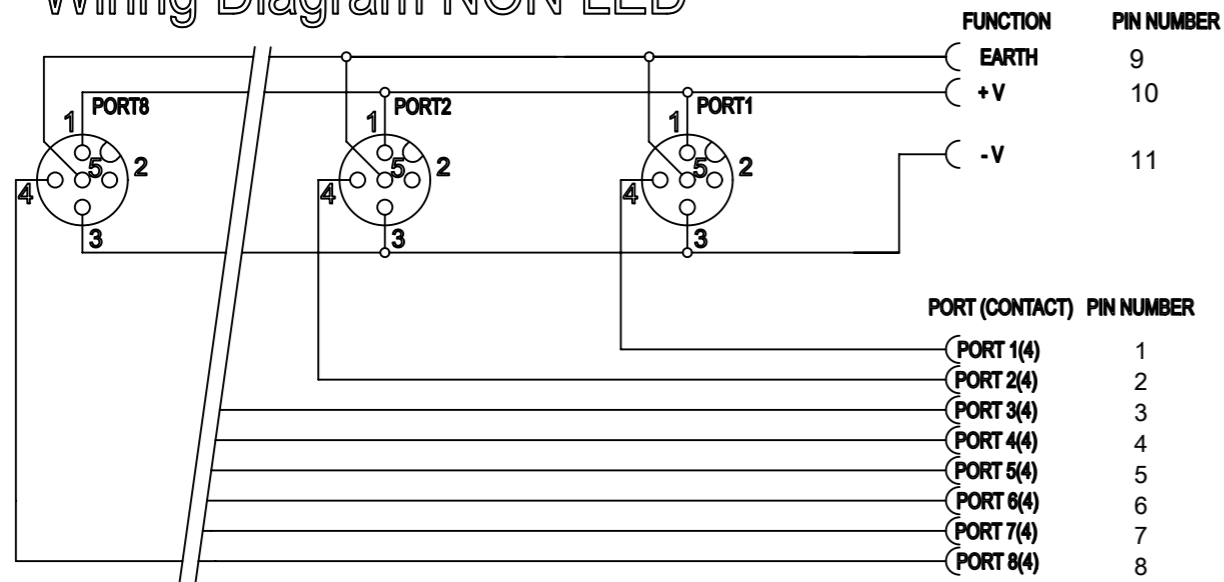
NOMINAL VOLTAGE: 10-30 V DC
 AMPERE RATING: 4 A PER PORT / 12 A MAX
 AMPERE RATING WITH UL REGISTRATION: 3 A PER PORT / 9 A MAX
 IP DEGREE OF PROTECTION: IP 67
 TEMPERATURE RANGE: -25°C to + 85°C



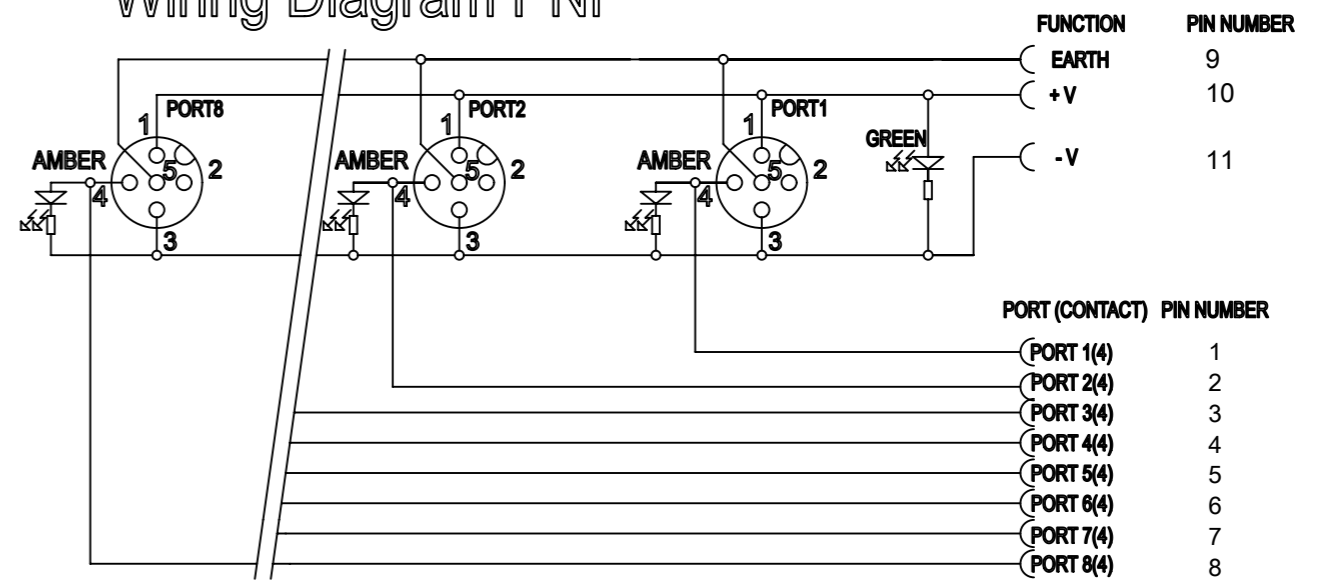
SCALE
1:2

| SYMBOLS | | THIS DRAWING CONTAINS INFORMATION THAT IS PROPRIETARY TO MOLEX ELECTRONIC TECHNOLOGIES, LLC AND SHOULD NOT BE USED WITHOUT WRITTEN PERMISSION | | | | | |
|--|--------|---|---------|--------|-----------------|----------------|--------------|
| DIMENSION UNITS | SCALE | CURRENT REV DESC: | | | | | |
| mm | 1:1 | EC NO: 630686 DRWN: SSM 2018/12/14 CHK'D: RSILLER 2020/01/17 APPR: RSILLER 2020/01/17 INITIAL REVISION: DRWN: SSM 2018/12/14 APPR: RSILLER 2020/01/17 | | | | | |
| GENERAL TOLERANCES (UNLESS SPECIFIED) | | | | | | | |
| ANGULAR TOL | ± 1.0° | | | | | | |
| 4 PLACES | ± | | | | | | |
| 3 PLACES | ± | molex MPIS U12 NON 4P 8PT MINI CHANGE BK SINGL | | | | | |
| 2 PLACES | ± 0.05 | | | | | | |
| 1 PLACE | ± 0.3 | | | | | | |
| 0 PLACES | ± 0.5 | PRODUCT CUSTOMER DRAWING | | | | | |
| DRAFT WHERE APPLICABLE MUST REMAIN WITHIN DIMENSIONS | | THIRD ANGLE PROJECTION | DRAWING | SERIES | MATERIAL NUMBER | CUSTOMER | SHEET NUMBER |
| | | | A3-SIZE | 120251 | SEE TABLE 1 | GENERAL MARKET | 1 OF 2 |

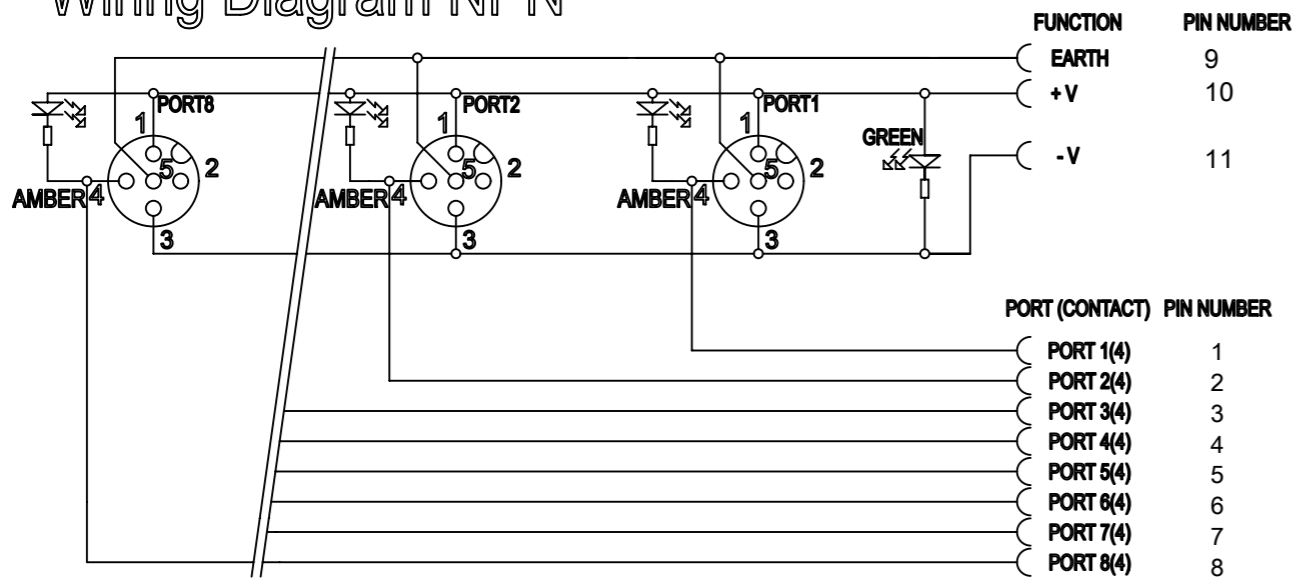
Wiring Diagram NON LED



Wiring Diagram PNP



Wiring Diagram NPN



| | | | | | |
|---------|---|--------|--|-----------------|--------------------------|
| SYMBOLS | THIS DRAWING CONTAINS INFORMATION THAT IS PROPRIETARY TO MOLEX ELECTRONIC TECHNOLOGIES, LLC AND SHOULD NOT BE USED WITHOUT WRITTEN PERMISSION | | <div style="text-align: center; font-size: 24pt; font-weight: bold;">molex</div> | | |
| | DIMENSION UNITS | SCALE | | | |
| ▽ = 0 | mm | 1:1 | CURRENT REV DESC: | | |
| ▽ = 0 | GENERAL TOLERANCES (UNLESS SPECIFIED) | | EC NO: 630686 | | |
| ▽ = 0 | ANGULAR TOL | ± 1.0° | DRWN: SSM | 2018/12/14 | PRODUCT CUSTOMER DRAWING |
| ▽ = 0 | 4 PLACES | ± | CHK'D: RSILLER | 2020/01/17 | |
| ▽ = 0 | 3 PLACES | ± | APPR: RSILLER | 2020/01/17 | DOCUMENT NUMBER |
| ▽ = 0 | 2 PLACES | ± 0.05 | INITIAL REVISION: | | 1202510073 |
| ▽ = 0 | 1 PLACE | ± 0.3 | DRWN: SSM | 2018/12/14 | DOC TYPE |
| ▽ = 0 | 0 PLACES | ± 0.5 | APPR: RSILLER | 2020/01/17 | DOC PART |
| □ = 0 | DRAFT WHERE APPLICABLE MUST REMAIN WITHIN DIMENSIONS | | THIRD ANGLE PROJECTION | DRAWING | REVISION |
| ▽ = 0 | | | A3-SIZE | SERIES | A |
| | | | 120251 | MATERIAL NUMBER | SHEET NUMBER |
| | | | SEE TABLE 1 | CUSTOMER | 2 OF 2 |
| | | | GENERAL MARKET | | |