

TABLE 1 : PARTS MATERIAL

NO.	COMPONENT NAME	QTY	MATERIAL
1	HOUSING	1	LIQUID CRYSTAL POLYMER (LCP), UL94 V-0, BLACK
2	1.27MM PITCH TERMINAL	22	COPPER ALLOY
3	0.8MM PITCH TERMINAL	40	COPPER ALLOY
4	PCB HOLD-DOWN	2	COPPER ALLOY
5	PICK & PLACE CAP	1	LIQUID CRYSTAL POLYMER (LCP), UL94 V-0, BLACK
6	GROUND BLADE	1	COPPER ALLOY
7	0.8MM PITCH SAS/PCIE TERM		COPPER ALLOY

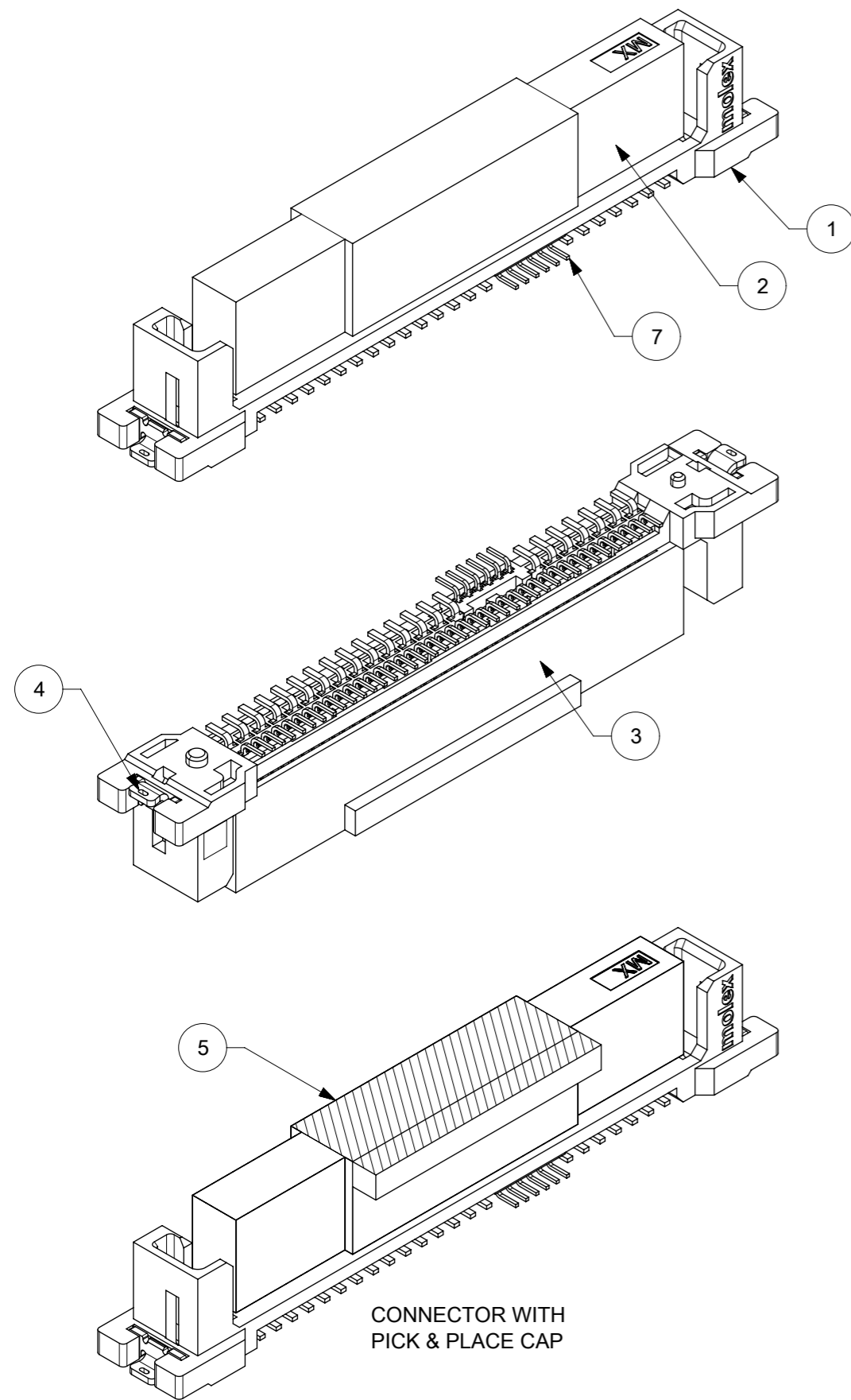
NOTES:

1. MATERIALS: SEE TABLE 1
2. FINISHES: SEE TABLE 2
3. PRODUCT SPECIFICATION: PS-151042-0001
4. PACKAGING SPECIFICATION: SEE TABLE 2
5. MATES WITH: MOLEX SAS/PCIE RECEPTACLES
6. DATE CODE FORMAT: 'YYDDD'  
WHERE 'YY' IS YEAR, 'DDD' IS DAY OF MANUFACTURE
7. MOLEX LOGO, CAVITY ID AND DATE CODE LOCATED APPROXIMATELY AS SHOWN
8. REFER TO AS-151042-0001 FOR PCB ROUTING RECOMMENDATIONS

TABLE 2 : FINISHES & PACKAGING SPECIFICATION

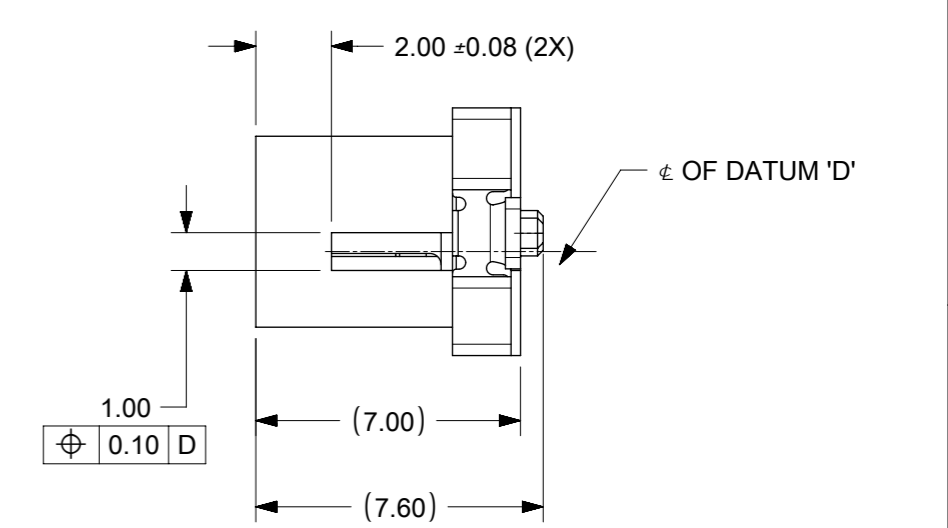
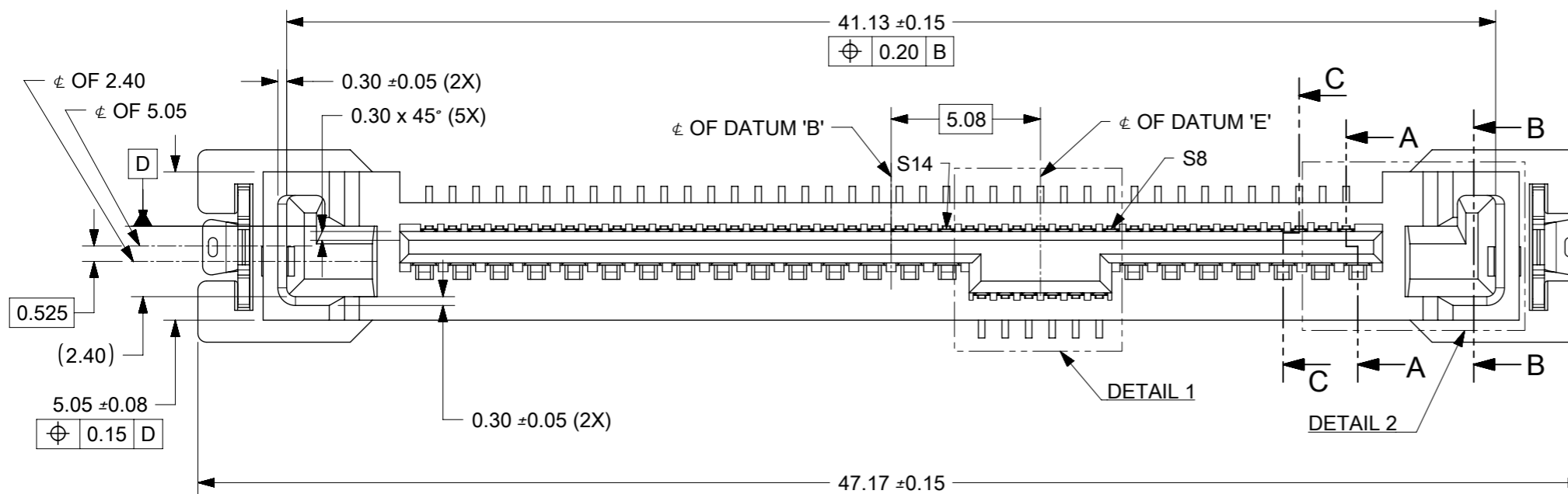
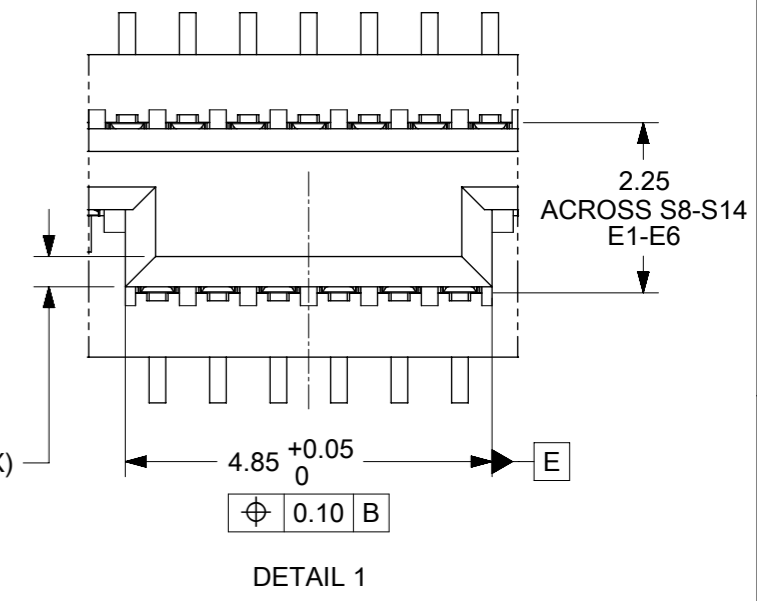
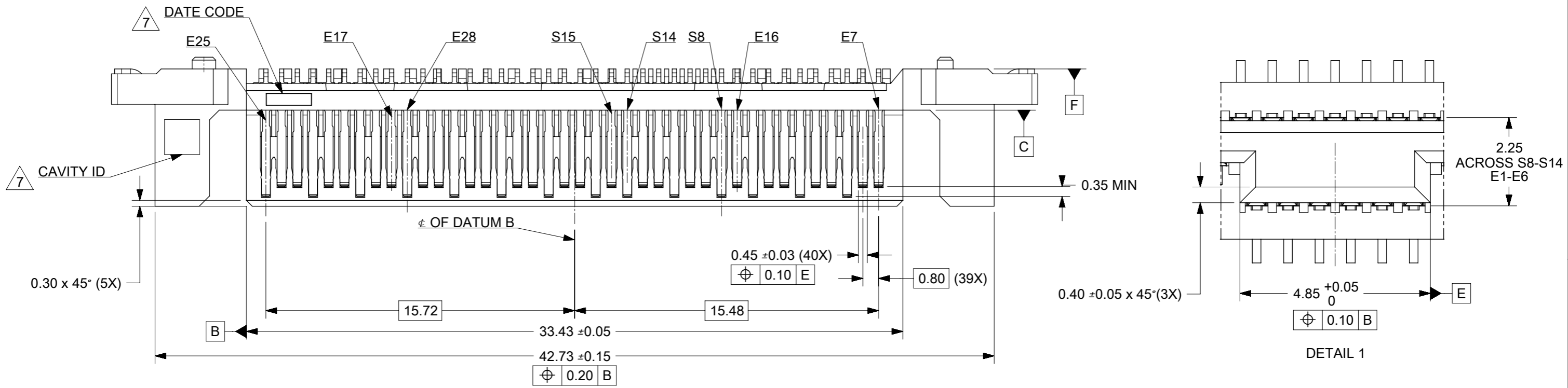
PART NUMBER	TERMINAL	PCB HOLD-DOWN	PACKAGING SPECIFICATION
151042-0001	CONTACT: 0.76 MICROMETER MIN. GOLD OVER 1.27 MICROMETER MIN. NICKEL UNDERPLATE		PK-151042-0001
151042-0002	SOLDERTAIL: 0.076 MICROMETER MIN. GOLD OVER 1.27 MICROMETER MIN. NICKEL UNDERPLATE	3.18 MICROMETER MIN. TIN OVER 1.27 MICROMETER MIN. NICKEL	1510420002-PK
	OTHER AREA: 1.27 MICROMETER MIN. NICKEL UNDERPLATE		

THIS DESIGN IS BASED ON DESIGN OBJECTIVES AND IS STRICTLY TENTATIVE. IT MAY CHANGE BASED ON RESULTS OF ADDITIONAL DESIGN REVIEWS AND VERIFICATIONS.

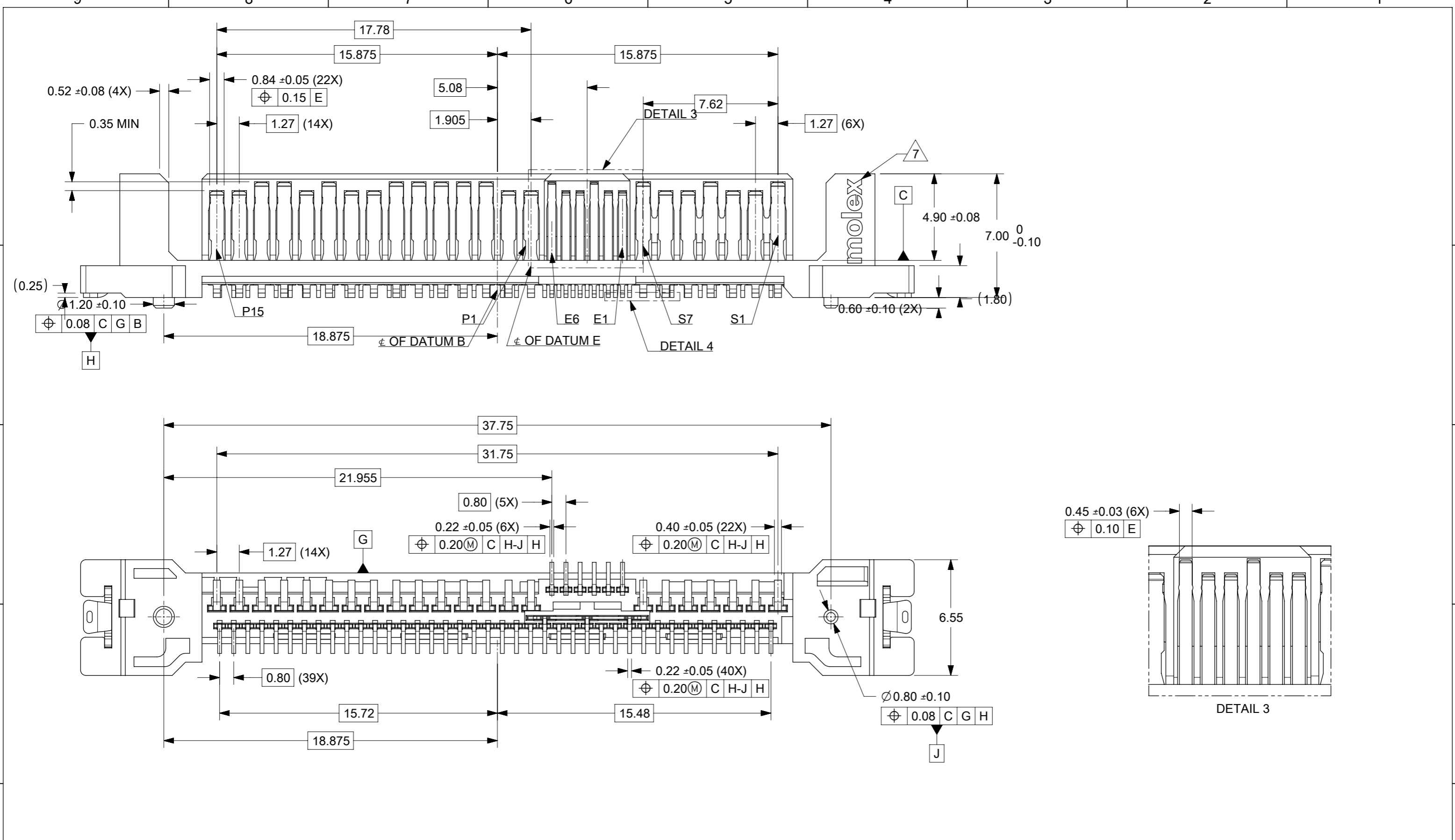


CONNECTOR WITH PICK & PLACE CAP

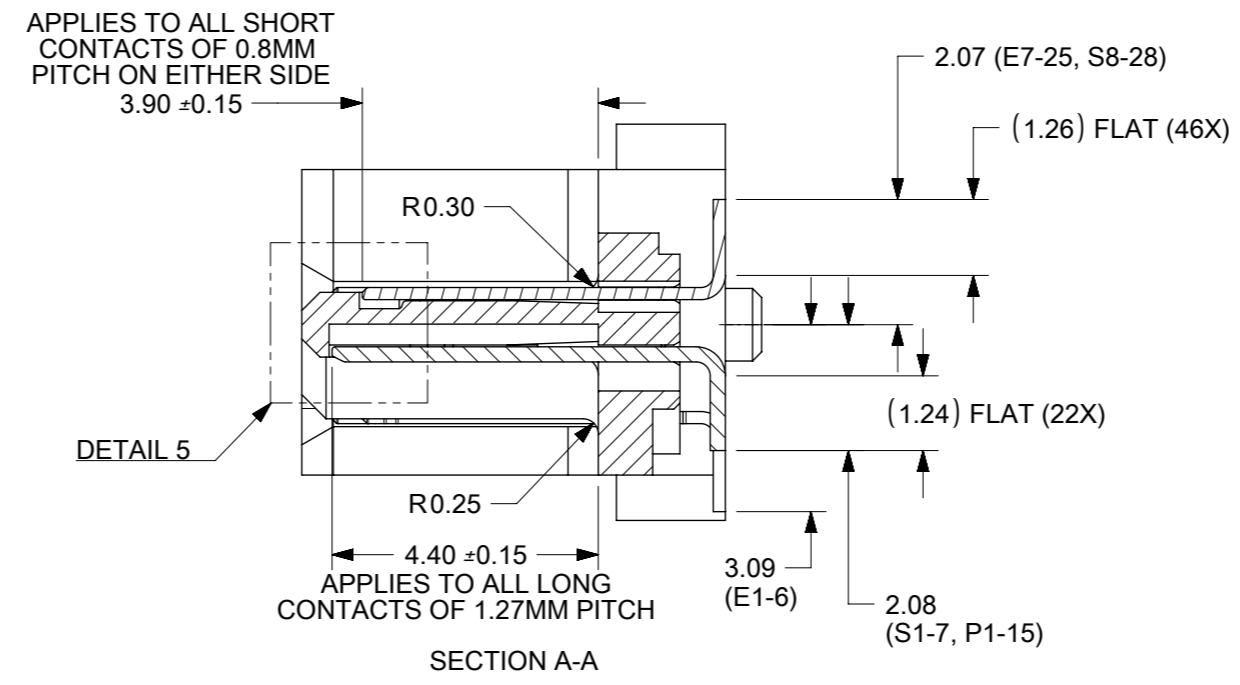
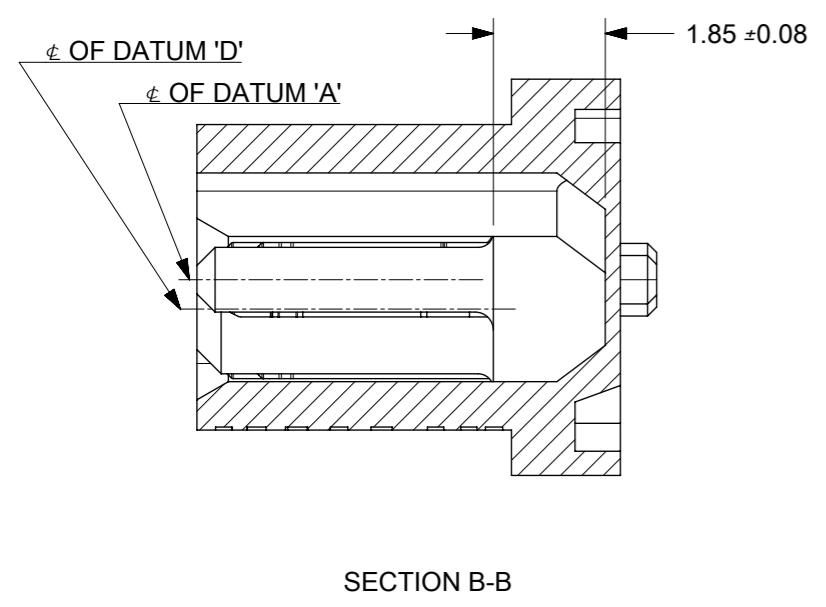
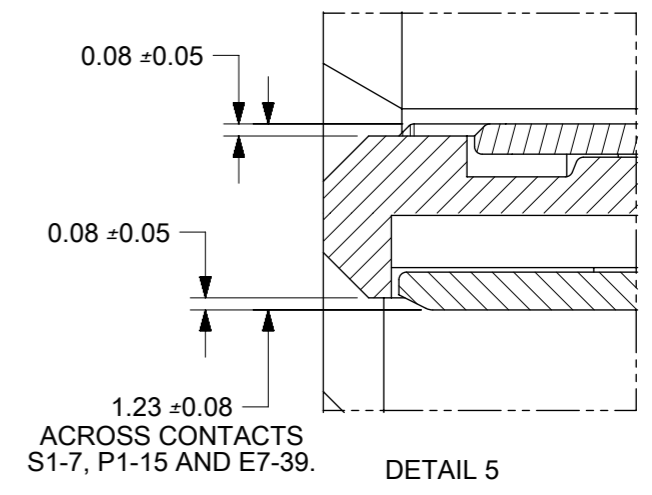
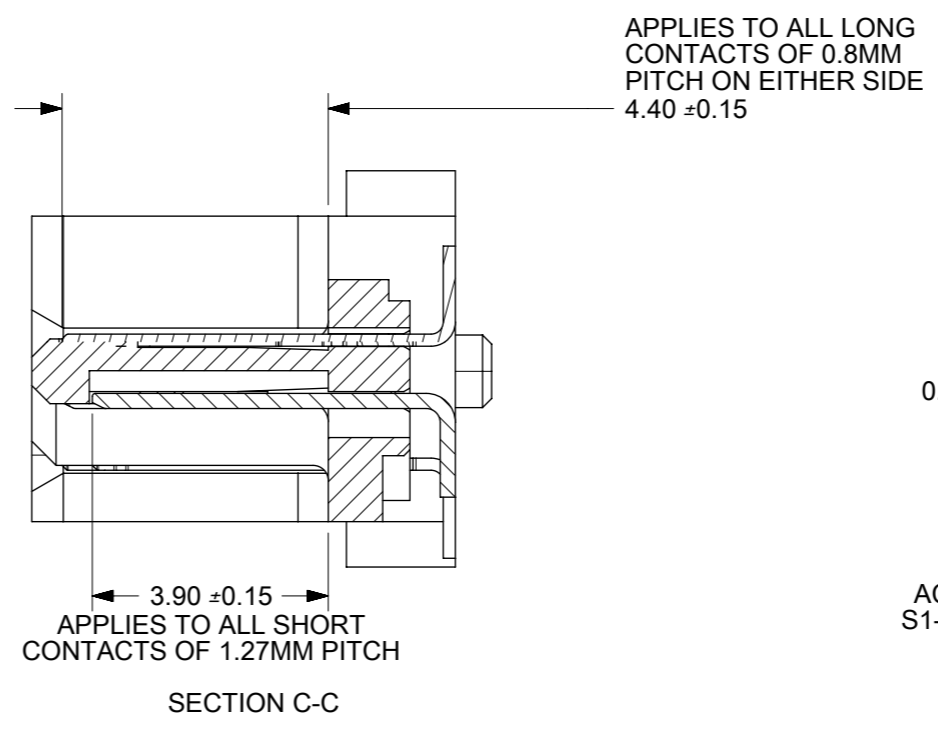
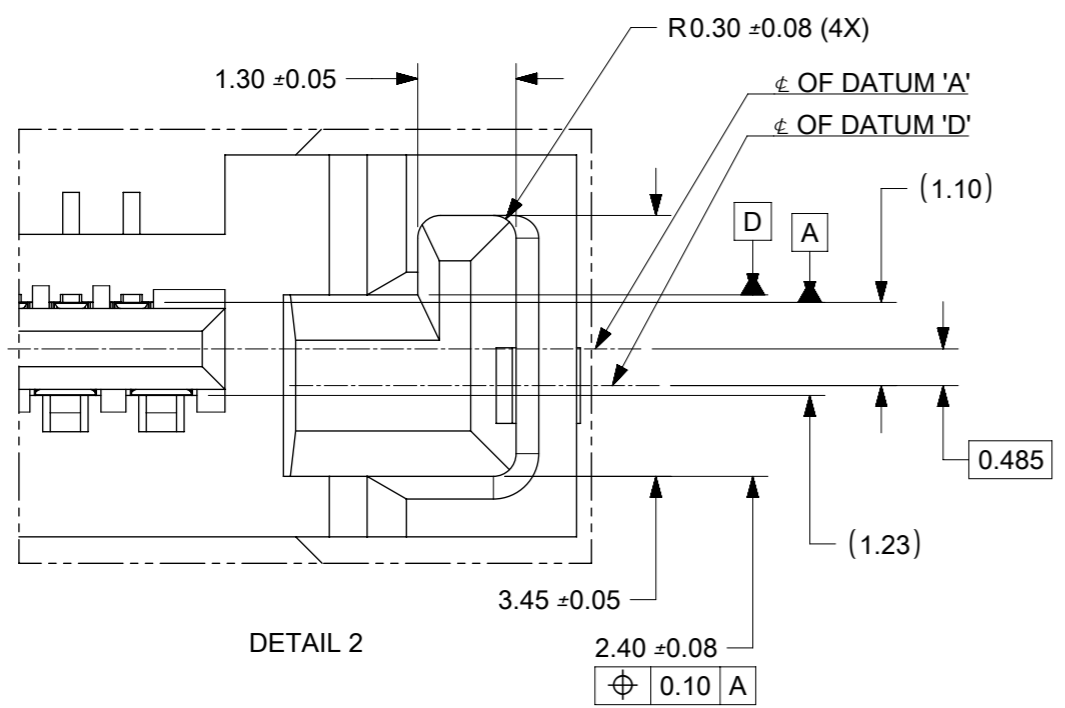
<b>SYMBOLS</b> DIMENSION UNITS: mm SCALE: NTS GENERAL TOLERANCES (UNLESS SPECIFIED): ANGULAR TOL: ± 3.0° 4 PLACES: ± 3 PLACES: ± 2 PLACES: ± 0.2 1 PLACE: ± 0 PLACES: ± DRAFT WHERE APPLICABLE MUST REMAIN WITHIN DIMENSIONS THIRD ANGLE PROJECTION	CURRENT REV DESC: REVISED					
	EC NO: 629807					SAS/PCIE 7.0MM VERTICAL PLUG SMT
	DRWN: JAKEEMEW 2019/12/23		PRODUCT CUSTOMER DRAWING		DOCUMENT NUMBER	
	CHK'D: CCTEH 2020/01/07		INITIAL REVISION:		DOC TYPE	
APPR: SHLENI 2020/01/19		DRWN: VMANICKAM 2014/07/21		DOC PART		
APPR: VMANICKAM 2014/07/25		APPR: VMANICKAM 2014/07/25		REVISION		
A3-SIZE		SERIES: 151042		SD-151042-0001		
SEE TABLE		MATERIAL NUMBER		PSD		
GENERAL MARKET		CUSTOMER		001		
1 OF 7		SHEET NUMBER		A1		



<b>SYMBOLS</b> DIMENSION UNITS: mm SCALE: NTS GENERAL TOLERANCES (UNLESS SPECIFIED) ANGULAR TOL ± 3.0° 4 PLACES ± 3 PLACES ± 2 PLACES ± 0.2 1 PLACE ± 0 PLACES ± DRAFT WHERE APPLICABLE MUST REMAIN WITHIN DIMENSIONS THIRD ANGLE PROJECTION DRAWING: A3-SIZE SERIES: 151042	THIS DRAWING CONTAINS INFORMATION THAT IS PROPRIETARY TO MOLEX ELECTRONIC TECHNOLOGIES, LLC AND SHOULD NOT BE USED WITHOUT WRITTEN PERMISSION CURRENT REV DESC: REVISED						
	EC NO: 629807 DRWN: JAKEEMEW 2019/12/23 CHK'D: CCTEH 2020/01/07 APPR: SHLENI 2020/01/19						SAS/PCIE 7.0MM VERTICAL PLUG SMT
	INITIAL REVISION: DRWN: VMANICKAM 2014/07/21 APPR: VMANICKAM 2014/07/25			PRODUCT CUSTOMER DRAWING			
	DOCUMENT NUMBER: SD-151042-0001		DOC TYPE: PSD	DOC PART: 001	REVISION: A1	MATERIAL NUMBER: SEE TABLE	CUSTOMER: GENERAL MARKET

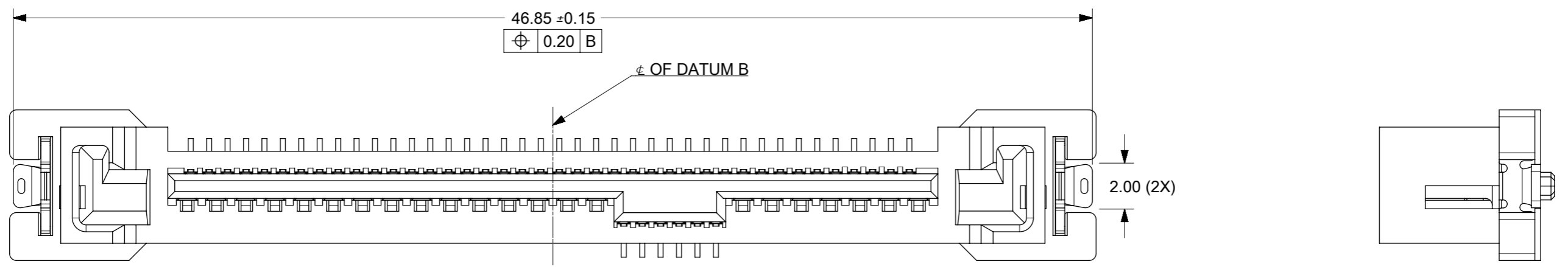


SYMBOLS	THIS DRAWING CONTAINS INFORMATION THAT IS PROPRIETARY TO MOLEX ELECTRONIC TECHNOLOGIES, LLC AND SHOULD NOT BE USED WITHOUT WRITTEN PERMISSION	
DIMENSION UNITS	SCALE	CURRENT REV DESC: REVISED
$\nabla = 0$	mm	NTS
$\nabla = 0$	GENERAL TOLERANCES (UNLESS SPECIFIED)	
$\nabla = 0$	ANGULAR TOL $\pm 3.0^\circ$	
$\nabla = 0$	4 PLACES	$\pm$
$\nabla = 0$	3 PLACES	$\pm$
$\nabla = 0$	2 PLACES	$\pm 0.2$
$\nabla = 0$	1 PLACE	$\pm$
$\nabla = 0$	0 PLACES	$\pm$
$\blacksquare = 0$	DRAFT WHERE APPLICABLE MUST REMAIN WITHIN DIMENSIONS	
$\nabla = 0$	THIRD ANGLE PROJECTION	DRAWING
		A3-SIZE
	SERIES	151042
	MATERIAL NUMBER	SEE TABLE
	CUSTOMER	GENERAL MARKET
	DOCUMENT NUMBER	SD-151042-0001
	DOC TYPE	PSD
	DOC PART	001
	REVISION	A1
	SHEET NUMBER	3 OF 7

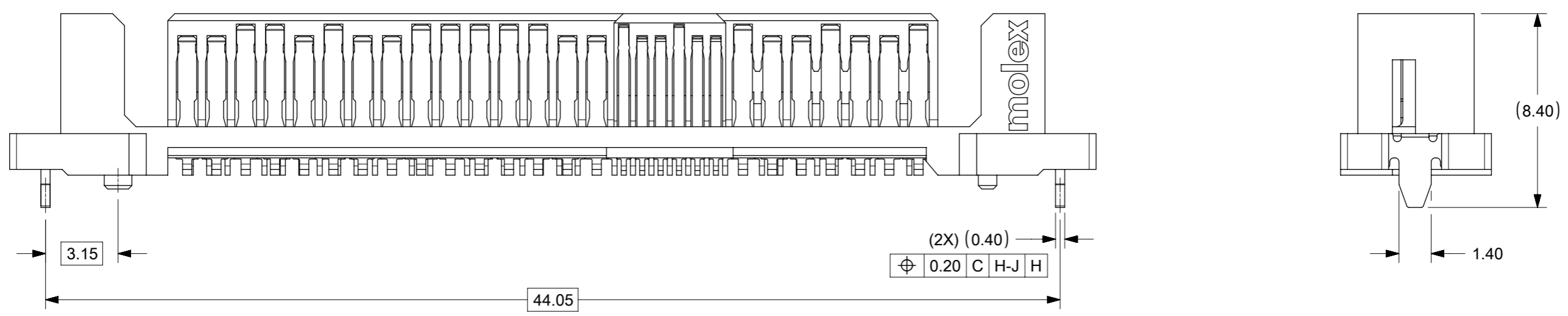


SYMBOLS		THIS DRAWING CONTAINS INFORMATION THAT IS PROPRIETARY TO MOLEX ELECTRONIC TECHNOLOGIES, LLC AND SHOULD NOT BE USED WITHOUT WRITTEN PERMISSION	
▽ = 0	mm	SCALE	CURRENT REV DESC: REVISED
▽ = 0	NTS		
▽ = 0	GENERAL TOLERANCES (UNLESS SPECIFIED)		<b>molex</b> SAS/PCIE 7.0MM VERTICAL PLUG SMT PRODUCT CUSTOMER DRAWING
▽ = 0	ANGULAR TOL ± 3.0°		
▽ = 0	4 PLACES ±	EC NO: 629807	
▽ = 0	3 PLACES ±	DRWN: JAKEEMEW 2019/12/23	
▽ = 0	2 PLACES ± 0.2	CHK'D: CCTEH 2020/01/07	
▽ = 0	1 PLACE ±	APPR: SHLENI 2020/01/19	DOCUMENT NUMBER
▽ = 0	0 PLACES ±	INITIAL REVISION:	SD-151042-0001
▽ = 0	DRAFT WHERE APPLICABLE MUST REMAIN WITHIN DIMENSIONS		DOC TYPE
	THIRD ANGLE PROJECTION	DRAWING	PSD
		SERIES	001
	A3-SIZE	MATERIAL NUMBER	A1
	151042	CUSTOMER	GENERAL MARKET
		SHEET NUMBER	4 OF 7

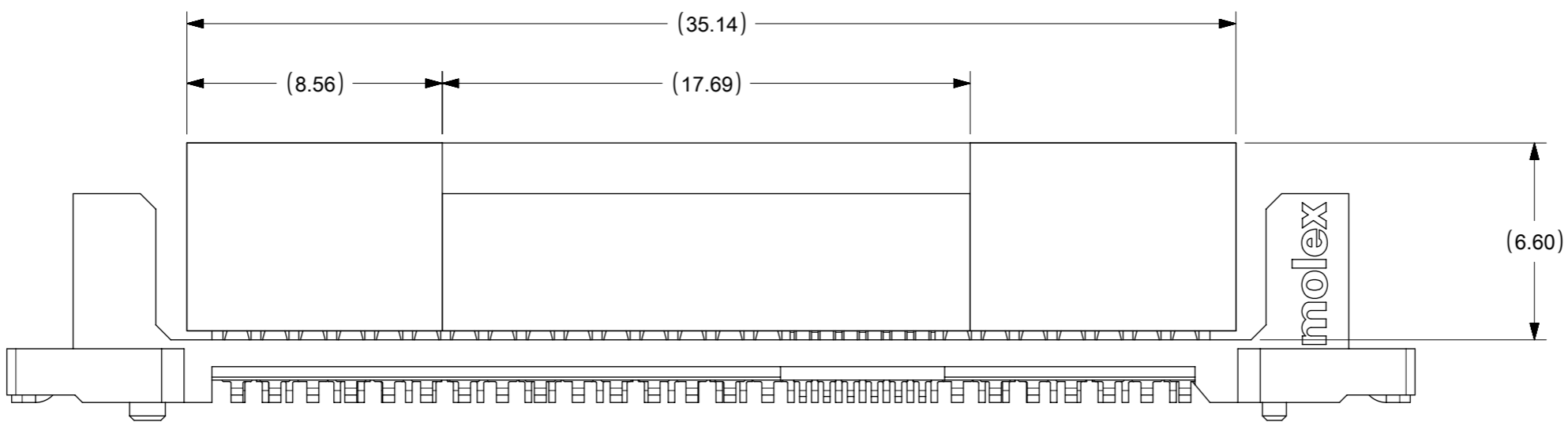
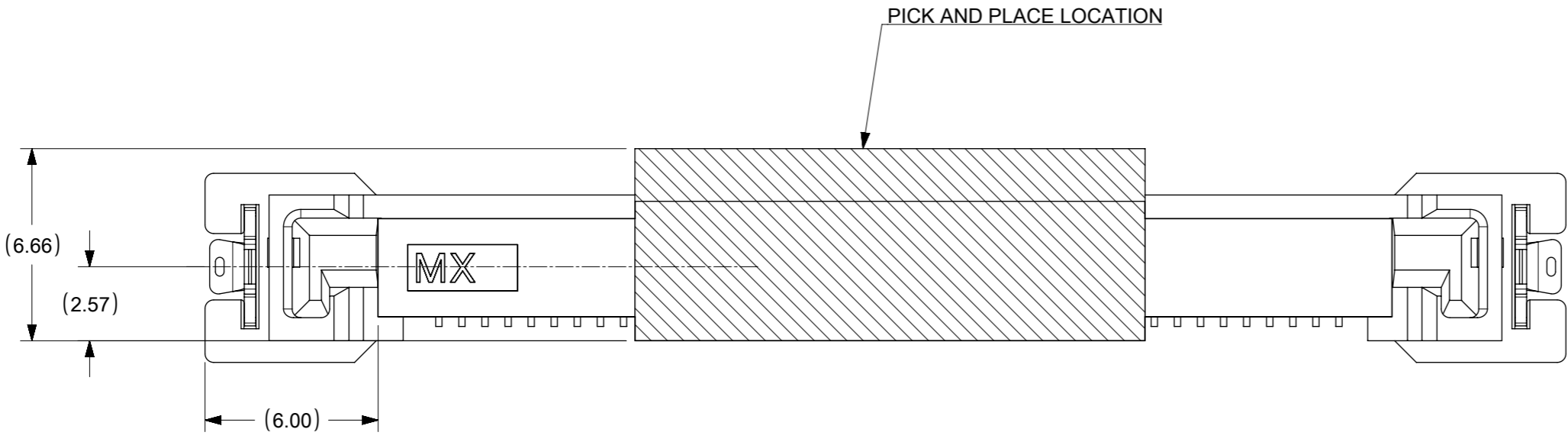
151042-0001 (SMT TAB OPTION)



151042-0002 (SMT BLADE OPTION)



SYMBOLS	THIS DRAWING CONTAINS INFORMATION THAT IS PROPRIETARY TO MOLEX ELECTRONIC TECHNOLOGIES, LLC AND SHOULD NOT BE USED WITHOUT WRITTEN PERMISSION		CURRENT REV DESC: REVISED		<b>molex</b>
	DIMENSION UNITS	SCALE			
▽ = 0	mm	NTS			SAS/PCIE 7.0MM VERTICAL PLUG SMT
▽ = 0	GENERAL TOLERANCES (UNLESS SPECIFIED)				PRODUCT CUSTOMER DRAWING
▽ = 0	ANGULAR TOL ± 3.0°				
▽ = 0	4 PLACES	±	EC NO: 629807	2019/12/23	DOCUMENT NUMBER
▽ = 0	3 PLACES	±	DRWN: JAKEEMEW	2020/01/07	
▽ = 0	2 PLACES	±	CHK'D: CCTEH	2020/01/19	DOC PART
▽ = 0	1 PLACE	±	APPR: SHLENI		
▽ = 0	0 PLACES	±	INITIAL REVISION:		SD-151042-0001
☒ = 0			DRWN: VMANICKAM	2014/07/21	
■ = 0			APPR: VMANICKAM	2014/07/25	001
▽ = 0	DRAFT WHERE APPLICABLE MUST REMAIN WITHIN DIMENSIONS		THIRD ANGLE PROJECTION	DRAWING	
				SERIES	5 OF 7
				MATERIAL NUMBER	
				CUSTOMER	SEE TABLE
				SHEET NUMBER	

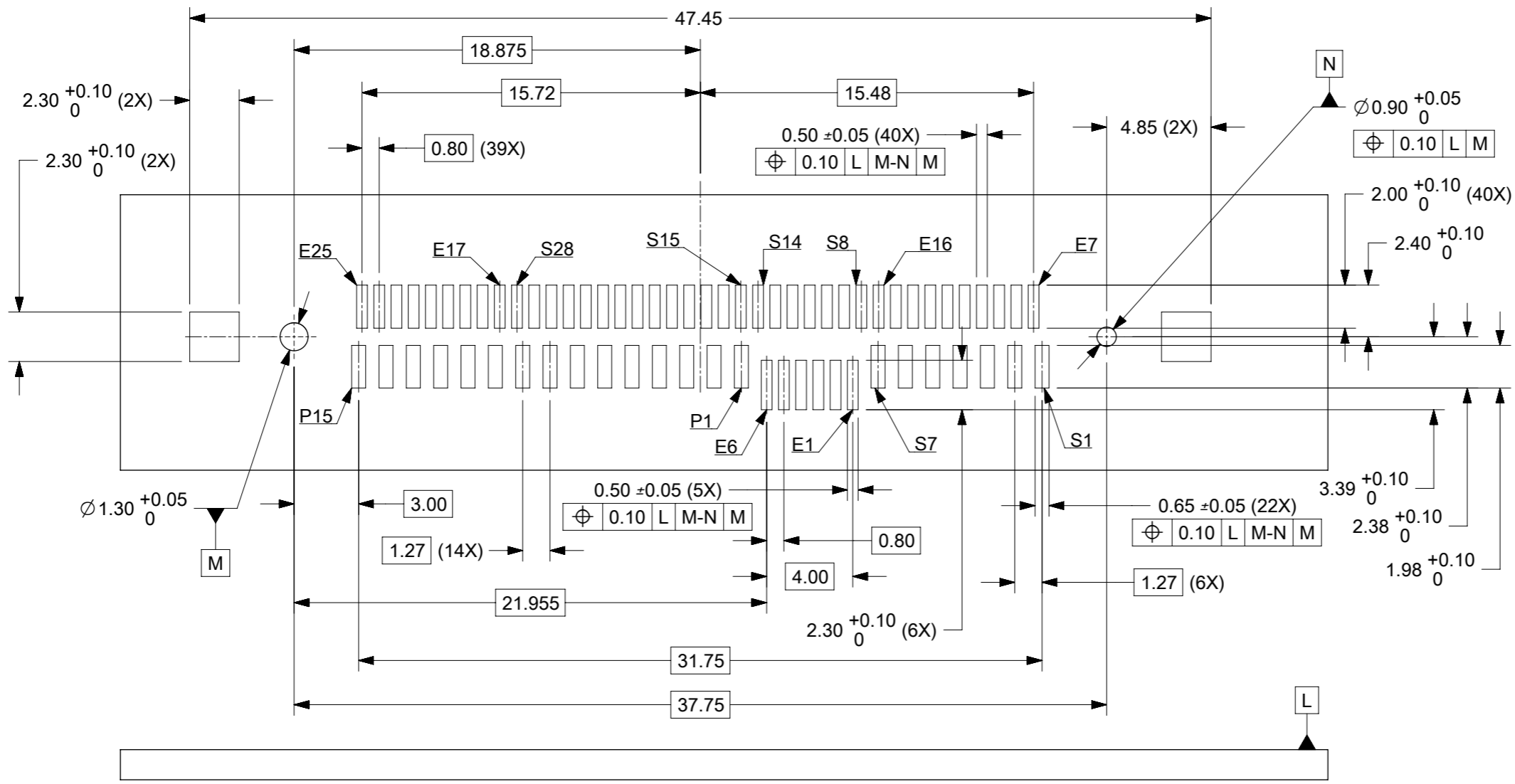


VIEW WITH PICK AND PLACE CAP

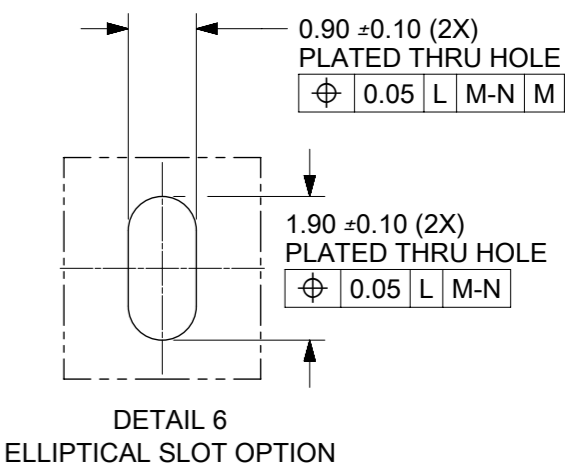
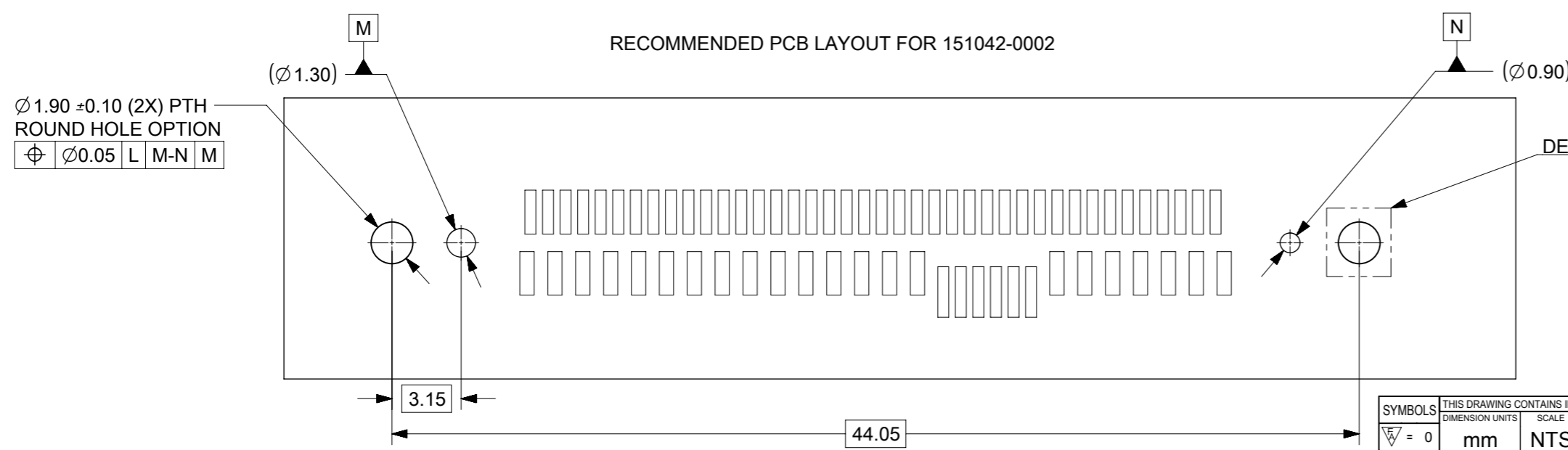
<b>SYMBOLS</b> ▽ = 0 ▽ = 0 ▽ = 0 ▽ = 0 ▽ = 0 ▽ = 0 ▽ = 0 ▽ = 0 ▽ = 0 ▽ = 0 ▽ = 0	THIS DRAWING CONTAINS INFORMATION THAT IS PROPRIETARY TO MOLEX ELECTRONIC TECHNOLOGIES, LLC AND SHOULD NOT BE USED WITHOUT WRITTEN PERMISSION		CURRENT REV DESC: REVISED					
	mm	NTS	EC NO: 629807					
	GENERAL TOLERANCES (UNLESS SPECIFIED)		DRWN: JAKEEMEW 2019/12/23			2020/01/07		
	ANGULAR TOL ± 3.0°		CHK'D: CCTEH			2020/01/19		
4 PLACES ±		APPR: SHLENI			PRODUCT CUSTOMER DRAWING			
3 PLACES ±		INITIAL REVISION:			DOCUMENT NUMBER			
2 PLACES ± 0.2		DRWN: VMANICKAM 2014/07/21			SD-151042-0001			
1 PLACE ±		APPR: VMANICKAM 2014/07/25			DOC TYPE DOC PART REVISION			
0 PLACES ±		THIRD ANGLE PROJECTION			PSD 001 A1			
DRAFT WHERE APPLICABLE MUST REMAIN WITHIN DIMENSIONS		DRAWING			MATERIAL NUMBER			
		A3-SIZE			SERIES			
		151042			CUSTOMER			
		SEE TABLE			GENERAL MARKET			
		SHEET NUMBER			6 OF 7			

DOCUMENT STATUS	P1	RELEASE DATE	2020/01/19	00:10:47
-----------------	----	--------------	------------	----------

RECOMMENDED PCB LAYOUT FOR 151042-0001



RECOMMENDED PCB LAYOUT FOR 151042-0002



Ø 1.90 ± 0.10 (2X) PTH ROUND HOLE OPTION  
 ⊕ 0.05 L M-N M

SYMBOLS	THIS DRAWING CONTAINS INFORMATION THAT IS PROPRIETARY TO MOLEX ELECTRONIC TECHNOLOGIES, LLC AND SHOULD NOT BE USED WITHOUT WRITTEN PERMISSION		CURRENT REV DESC: REVISED	
	DIMENSION UNITS	SCALE		
▽ = 0	mm	NTS		
▽ = 0	GENERAL TOLERANCES (UNLESS SPECIFIED)			
▽ = 0	ANGULAR TOL ± 3.0°			
▽ = 0	4 PLACES	±		
▽ = 0	3 PLACES	±		
▽ = 0	2 PLACES	± 0.2		
▽ = 0	1 PLACE	±		
▽ = 0	0 PLACES	±		
■ = 0	DRAFT WHERE APPLICABLE MUST REMAIN WITHIN DIMENSIONS			
▽ = 0	THIRD ANGLE PROJECTION	DRAWING	SERIES	MATERIAL NUMBER
▽ = 0		A3-SIZE	151042	SEE TABLE
			CUSTOMER	SHEET NUMBER
			GENERAL MARKET	7 OF 7

**molex**

SAS/PCIE 7.0MM VERTICAL PLUG SMT

PRODUCT CUSTOMER DRAWING

DOCUMENT NUMBER	DOC TYPE	DOC PART	REVISION
SD-151042-0001	PSD	001	A1