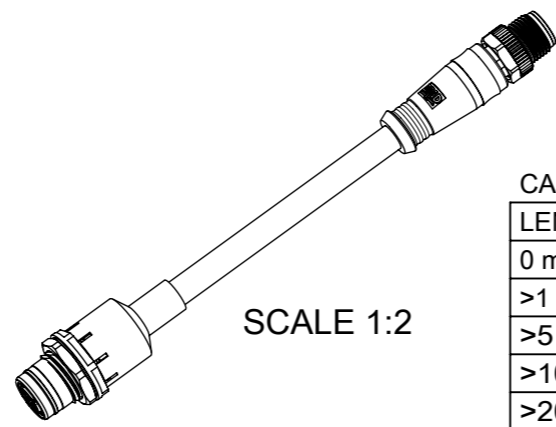


NOTES:
 VOLTAGE RATING: 48 V
 CURRENT RATING: 0.5 A
 TEMPERATURE RATING:
 STATIC: -40 °C TO 80 °C
 DYNAMIC: -25 °C TO 80 °C
 IP RATING: IP 67 (IN MATED AND LOCKED CONDITION)
 TRANSMISSION CHARACTERISTICS ACCORDING TO ISO/IEC 11801 CLASS E_A CHANNEL,
 WITH INSERTION LOSS BEING IGNORED FOR CABLE LENGTHS <1 m OR >65 m
 PACKAGING: CORDSETS ARE PACKED IN A POLYBAG

BILL OF MATERIAL

| ITEM | QTY | DESCRIPTION | MATERIAL | FINISH/COLOR |
|------|-----|----------------------------|-------------|--------------|
| 1 | 1 | CABLE 4X(2X AWG26/7) CAT 7 | TPE | GREEN |
| 2 | 8 | CONTACT M12 XC MA | BRASS | Au PLATED |
| 3 | 1 | SHIELD SLEEVE MA | Zn DIE-CAST | Ni PLATED |
| 4 | 1 | INSERT M12 XC MA | PA | BLACK |
| 5 | 1 | M12 HYBRID COUPLING NUT | BRASS | Ni PLATED |
| 6 | 8 | CONTACT M12 XC FE | BRASS | Au PLATED |
| 7 | 2 | SHIELD SLEEVE FE | Zn | Ni PLATED |
| 8 | 1 | INSERT M12 XC FE | PA | BLACK |
| 9 | 1 | SHELL M12 XC FE | BRASS | Ni PLATED |
| 10 | 1 | LOCKNUT | BRASS | Ni PLATED |
| 11 | - | OVERMOLD | TPU | BLACK |
| 12 | 1 | LABEL 2.0X1.75 | VINYL | YELLOW |



CABLE LENGTH TOLERANCES

| LENGTH | TOLERANCE |
|--------------|------------|
| 0 m - 1 m | +40 mm |
| >1 m - 5 m | +60 mm |
| >5 m - 10 m | +80 mm |
| >10 m - 20 m | +140 mm |
| >20 m - 30 m | +160 mm |
| >30 m | +1% length |

TABLE 1

| MOLEX P/N | ENGINEERING NO. | DESCRIPTION | LENGTH |
|------------|-----------------|-----------------------------------|--------|
| 1203410885 | ERWKEU7021M005 | M12 CAT6A REC-F/M XC ST TPE GREEN | 500 |
| 1203410886 | ERWKEU7021M010 | M12 CAT6A REC-F/M XC ST TPE GREEN | 1000 |
| 1203410887 | ERWKEU7021M020 | M12 CAT6A REC-F/M XC ST TPE GREEN | 2000 |
| 1203410888 | ERWKEU7021M050 | M12 CAT6A REC-F/M XC ST TPE GREEN | 5000 |
| 1203410889 | ERWKEU7021M100 | M12 CAT6A REC-F/M XC ST TPE GREEN | 10000 |

THIS DRAWING CONTAINS INFORMATION THAT IS PROPRIETARY TO MOLEX ELECTRONIC TECHNOLOGIES, LLC AND SHOULD NOT BE USED WITHOUT WRITTEN PERMISSION

FUNCTIONAL DIMENSION UNITS: mm SCALE: 2:1

GENERAL TOLERANCES (UNLESS SPECIFIED):
 ANGULAR TOL ± 1.0°
 4 PLACES ±
 3 PLACES ±
 2 PLACES ± 0.05
 1 PLACE ± 0.3
 0 PLACES ± 0.5

DRAFT WHERE APPLICABLE MUST REMAIN WITHIN DIMENSIONS

THIRD ANGLE PROJECTION

DRAWING: A3-SIZE

SERIES: 120341

MATERIAL NUMBER: SEE TABLE 1

CUSTOMER: GENERAL MARKET

SHEET NUMBER: 1 OF 1

EC NO: 692351
 DRWN: ARPITT
 APPR: RSILLER
 INITIAL REVISION: DRWN: RSCHEIBER
 APPR: RSILLER

2022/01/19
 2022/01/25
 2022/01/25
 2019/05/14
 2021/03/16

molex

REC M12 CAT6A 8P AC STR TPE MA XM SHLD

PRODUCT CUSTOMER DRAWING

DOCUMENT NUMBER: 1203410885
 DOC TYPE: PSD
 DOC PART: 000
 REVISION: A3