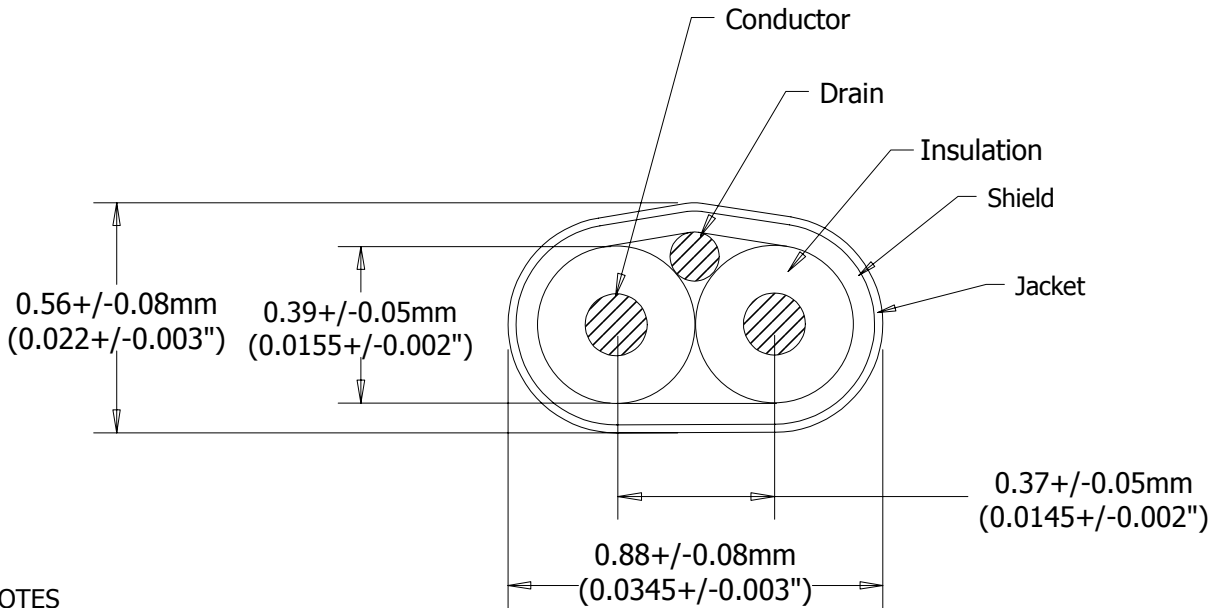


TITLE	PART No.	REV	PAGE
Shielded Pair, 34 AWG, 85 Ohm Twinax	1000680044	G	1 of 1



**NOTES**

**Construction:**

- Conductor: 34 AWG, 0.16mm (0.0063") Solid SPC
- Insulation: Fluoropolymer
- Drain Wire: 36 AWG, 0.13mm (0.005") Solid SPC
- Shield: Aluminum Polyester Foil, 0.023mm (0.0009") Thickness Ref.
- Jacket: Polyester, Heat Sealed, 0.018mm (0.0007") Thickness Ref.
- Safety Compliance: VW-1



**Electrical Characteristics:**

(Based on a 2m Length)

- Differential Impedance: 85 +/- 4 Ohms
- Propagation Delay: 4.8 ns/m Ref.
- Intra-Pair Skew: 20 ps/2m Max.

**SCD21**

f < 20 GHz: 20 dB Min.

**SCD21-SDD21**

- 0.01 ≤ f < 12.89: 12 dB Min.
- 12.89 ≤ f < 15.7: (29-(29/22)f) dB Min.
- 15.7 ≤ f < 19: 8.3 dB Min.

**Mechanical Characteristics:**

Min. Bend Radius: 5X OD - Minor Axis

Freq (GHz)	Based on 2m Test Length		
	SDD21		SCD21
	Nom. dB	Max. dB	Nom. dB
2.50	9.72	10.69	25
5.00	14.40	15.56	31
7.50	17.70	19.47	35
10.00	20.81	22.89	40
12.89	24.05	26.45	43
15.00	26.24	28.87	43
17.50	28.70	31.57	44
20.00	31.04	34.14	47

Print Legend (Drain Wire Side): MOLEX TEMP-FLEX(R) < LOCATION CODE: US or PHL> TWINMAX(TM) 34 AWG 1000680044 --- E61522 <UL CODE: -MPI for PHL, Blank for US> cRUus AWM 22046 I A/B 30V 105C FT1 VW-1 --- <LOT, DATE CODE>

This document is the property of TEMP-FLEX. It may not be disclosed, reproduced, or otherwise used without permission.	Rev	DCR	Description	App'd	Date
	F	5080	Update Print Legend to Add UL.	KP	8/18/16
	G	5100	Update Print Legend. Remove UL Code -TSG.	KP	9/13/16