

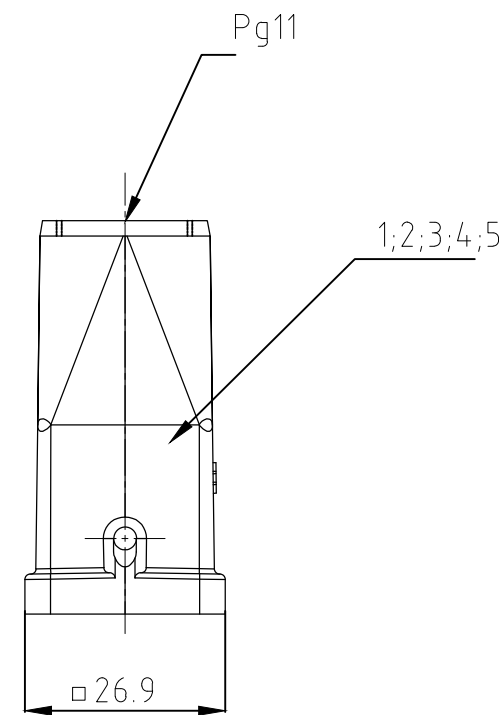
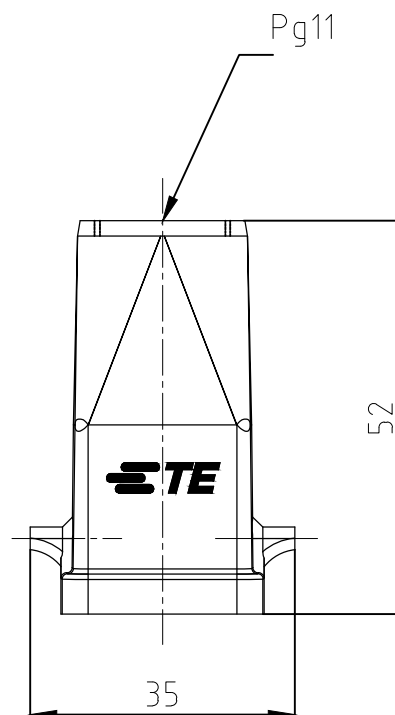
REVISIONS				
P	LTR	DESCRIPTION	DATE	APVD
	B	REVISED PER ECR-20-006023	05NOV2020	SR MKO

Notes:

- 1 Material: zinc diecast
- 2 Surface: Powder coated grey, black, blue
- 3 Varnish on the inside not necessary
- 4 Packaging quantity 10 pieces
- 5 OBSOLETE PARTS: OBSOLETE CIS STREAMLINING PER D.RENAUD/D.SINISI

Bemerkungen:

- 1 Material: Zink-Druckguß Legierung
- 2 Oberfläche: Pulverbeschichtet grau, schwarz, blau
- 3 Lackierung im Gehäuseinnere ist nicht notwendig
- 4 Verpackungsmenge 10 Stück



OBSOLETE

OBSOLETE

1	-	1	-	-	Plug housing HA.3	Zink/zinc diecast	-	light blue 5012/blue	5	
1	1	1	-	-	Plug housing HA.3	Zink/zinc diecast	-	aluminum color	4	
1	-	1	-	-	Plug housing HA.3	Zink/zinc diecast	-	unvarnished	3	
1	-	1	1	-	Plug housing HA.3	Zink/zinc diecast	-	schwarz/black	2	
1	-	1	-	1	Plug housing HA.3	Zink/zinc diecast	-	grau/grey	1	
0-2	0-1	6-7	2-7	1-7	DESCRIPTION / BENENNUNG	MATERIAL	SURFACE / OBERFLÄCHE	COLOR / FARBE	ITEM NO. POS.	REMARKS / BEMERKUNGEN

HA.3.STO.1.11.Z	HA.-K.3.STO.1.11.Z	HA.3.STO.1.11.Z	HA.-K.3.STO.1.11.Z	HA.3.STO.1.11.Z	ORDERING TEXT / BESTELLTEXT	THIS DRAWING IS A CONTROLLED DOCUMENT.		DWN Schneider 08.12.1998	TE Connectivity	
						DIMENSIONS: mm		CHK Schweiger 08.12.1998		
						TOLERANCES UNLESS OTHERWISE SPECIFIED: GENERAL TOLERANCES n. ISO 8015 n. ISO 2768 - mH - E n. DIN 16901 - 140		APVD -	NAME	
								PRODUCT SPEC 108-74000	Hood HA.3.STO Steckergehaeuse HA.3.STO.1.11.Z	
						MATERIAL - FINISH -		APPLICATION SPEC 114-74002		
		WEIGHT -	SIZE A3	CAGE CODE 00779	DRAWING NO C-1102101	RESTRICTED TO -				