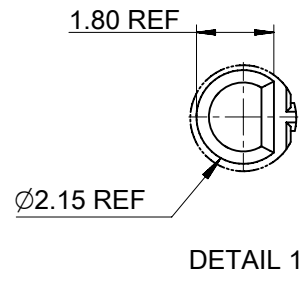
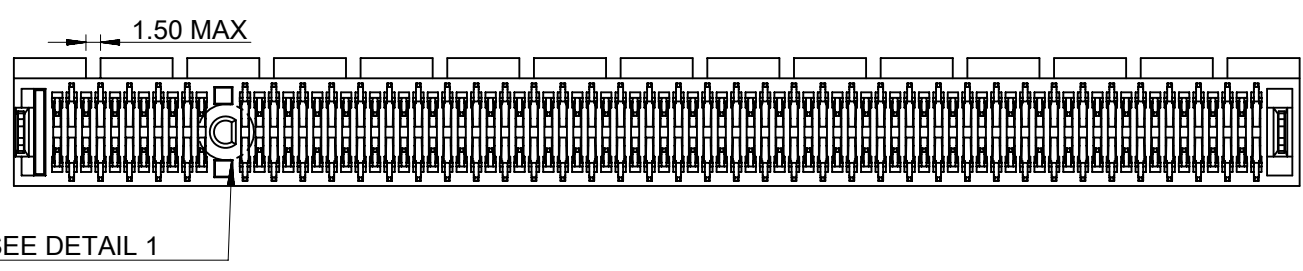
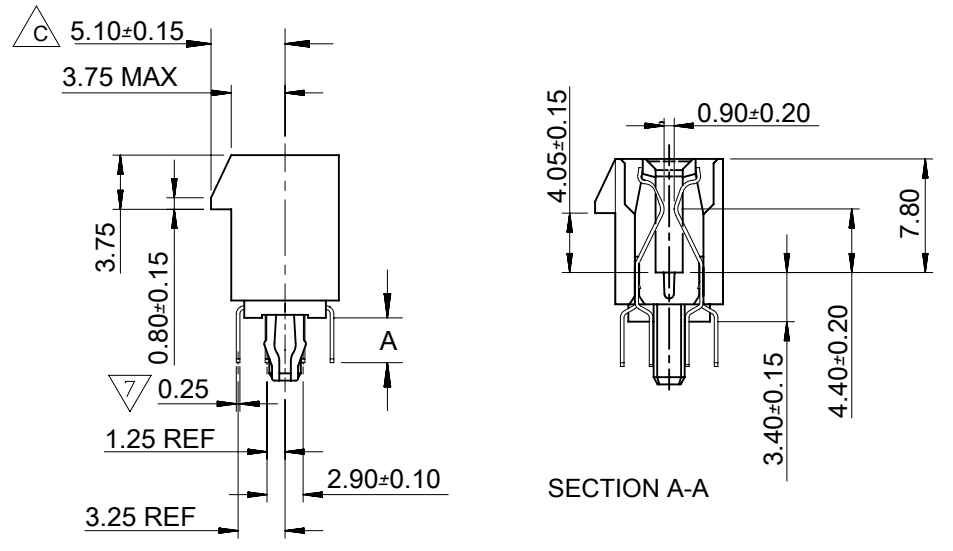
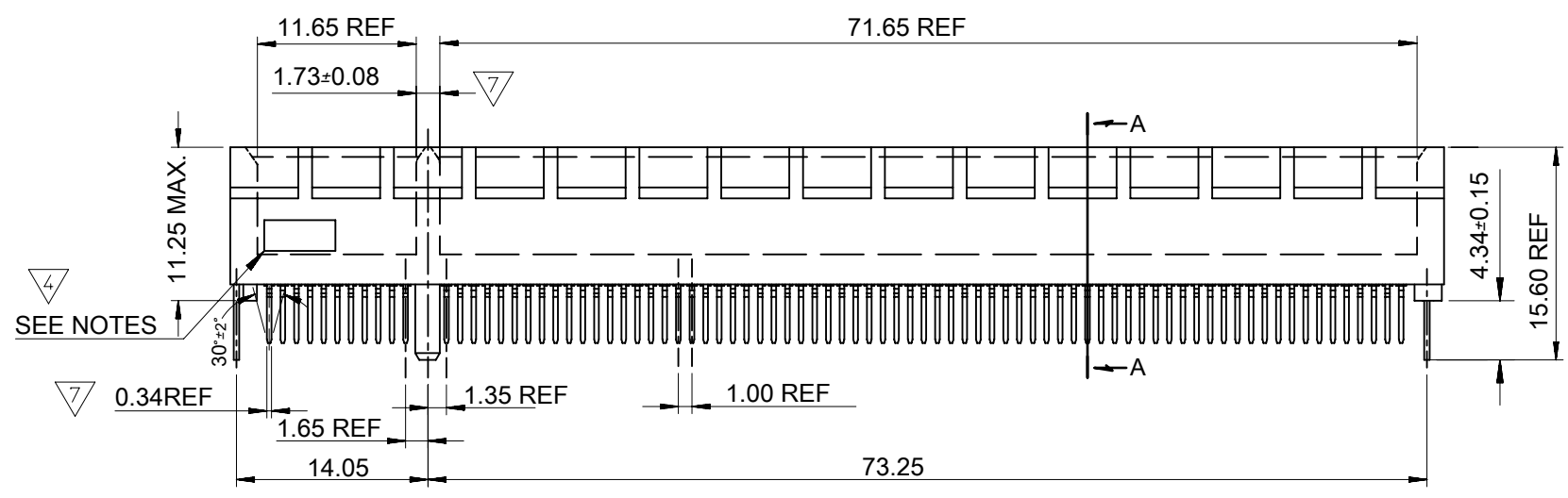
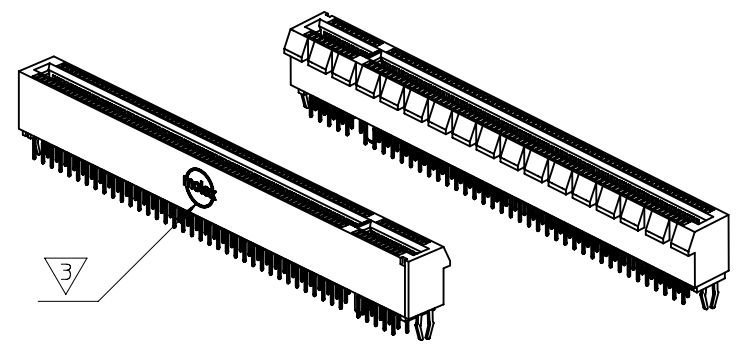
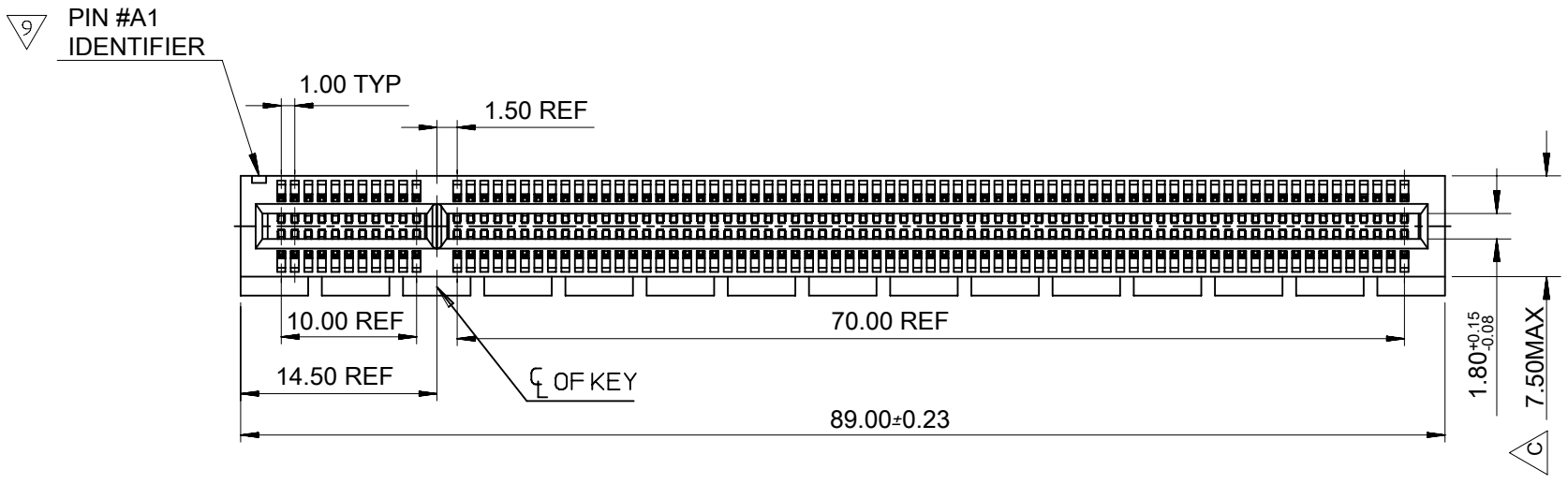
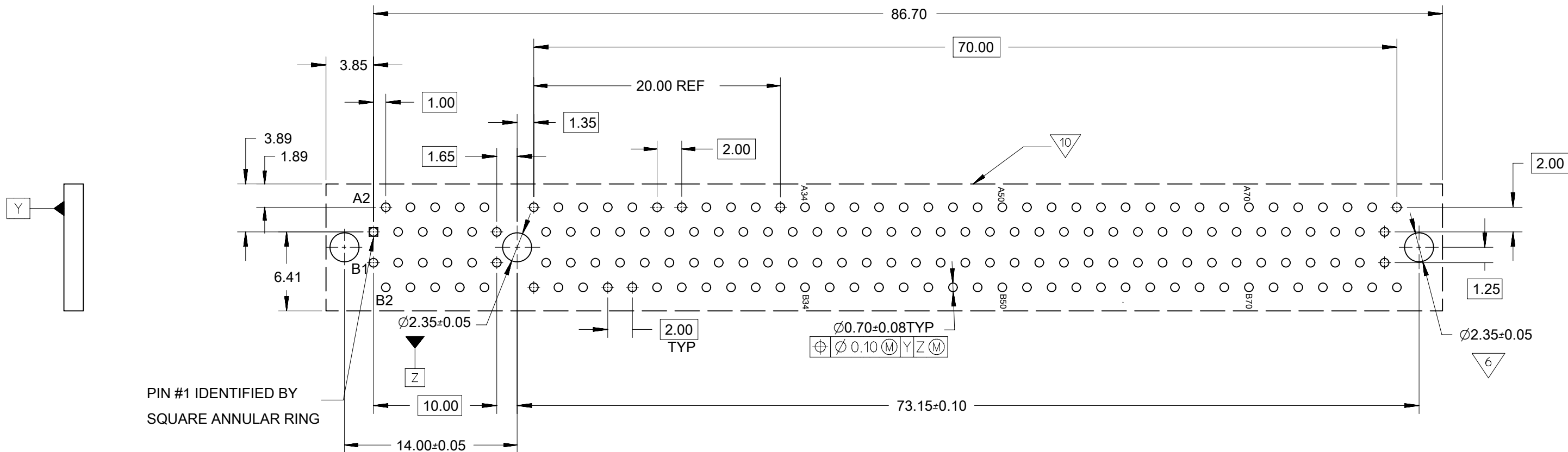


PART NUMBER	DIM A	CONTACT AREA PLATING OPTION	SOLDERTAIL PLATING OPTION	PROT SIZE	TOTAL CKTS SIZE
87715-9912	2.54	30 MICRINCH MIN. GOLD	100 MICRINCH MIN. TIN OVER NICKEL PLATED OVERALL	16	164



THIS DRAWING CONTAINS INFORMATION THAT IS PROPRIETARY TO MOLEX ELECTRONIC TECHNOLOGIES, LLC AND SHOULD NOT BE USED WITHOUT WRITTEN PERMISSION		CURRENT REV DESC: OBSOLETE PART NUMBER		molex	
DIMENSION UNITS	SCALE				
mm	NTS			PCI EXPRESS X16 (164CKT) VERT DIP WITH BOARD LOCK (LEAD FREE VERSION)	
GENERAL TOLERANCES (UNLESS SPECIFIED)				PRODUCT CUSTOMER DRAWING	
		MM	INCH		
4 PLACES	±			EC NO: 638770	
3 PLACES	±			DRWN: VLOKESHA 2020/05/22	
2 PLACES	±	0.25		CHK'D: GGA 2020/07/21	
1 PLACE	±	0.25		APPR: GGA 2020/07/21	
0 PLACES	±			INITIAL REVISION:	
ANGULAR TOL ± 3.0°				DRWN: KEN LEE 2006/03/22	
DRAFT WHERE APPLICABLE MUST REMAIN WITHIN DIMENSIONS		THIRD ANGLE PROJECTION		APPR: WILSON CHANG 2006/03/22	
		DRAWING	SERIES	MATERIAL NUMBER	CUSTOMER
		A3-SIZE	87715	SEE TABLE	GENERAL MARKET
DOCUMENT STATUS		DOC TYPE	DOC PART	REVISION	
P1	RELEASE DATE 2020/07/21 04:43:05	PSD	001	D1	
		SHEET NUMBER		1 OF 3	



NOTES:

1. MATERIALS: HOUSING - HIGH TEMPERATURE THERMOPLASTIC, UL 94-V0 (BLACK)
TERMINAL - COPPER ALLOY
2. PLATING: CONTACT AREA - SEE TABLE IN SHEET 2 FOR PLATING OPTION
SOLDER TAILS - SEE TABLE IN SHEET 2 FOR PLATING OPTION
UNDERPLATING - 50µ" (1.27µm) MIN. NICKEL

3. MOLEX LOGO - TO BE LASER-MARKED

4. DATE CODE - TO BE LASER-MARKED

5. CHAMFER EDGES OF EDGE CARD MUST BE FREE OF CUTTING BURRS

6. THE HORIZONTAL AXIS FOR THE FOOTPRINT HOLE PATTERN IS ESTABLISHED BY A LINE THROUGH THE CENTRE OF THE TWO Ø2.35 HOLES. THE VERTICAL AXIS IS 90° TO THE HORIZONTAL AXIS, THROUGH THE CENTRE OF DATUM Z

7. FEATURES DESIGNED TO FUNCTIONALLY MATE/MOUNT (SLIP FIT) PER THE RECOMMENDED EDGE CARD AND PCB PATTERN.

8. PINS FOR HOT PLUG PRESENCE DETECTION. NO TIE BAR PERMITTED FROM CARD EDGE TO LEADING EDGE OF PAD FOR THE HOT PLUG PINS.

9. PIN #1 IDENTIFIER

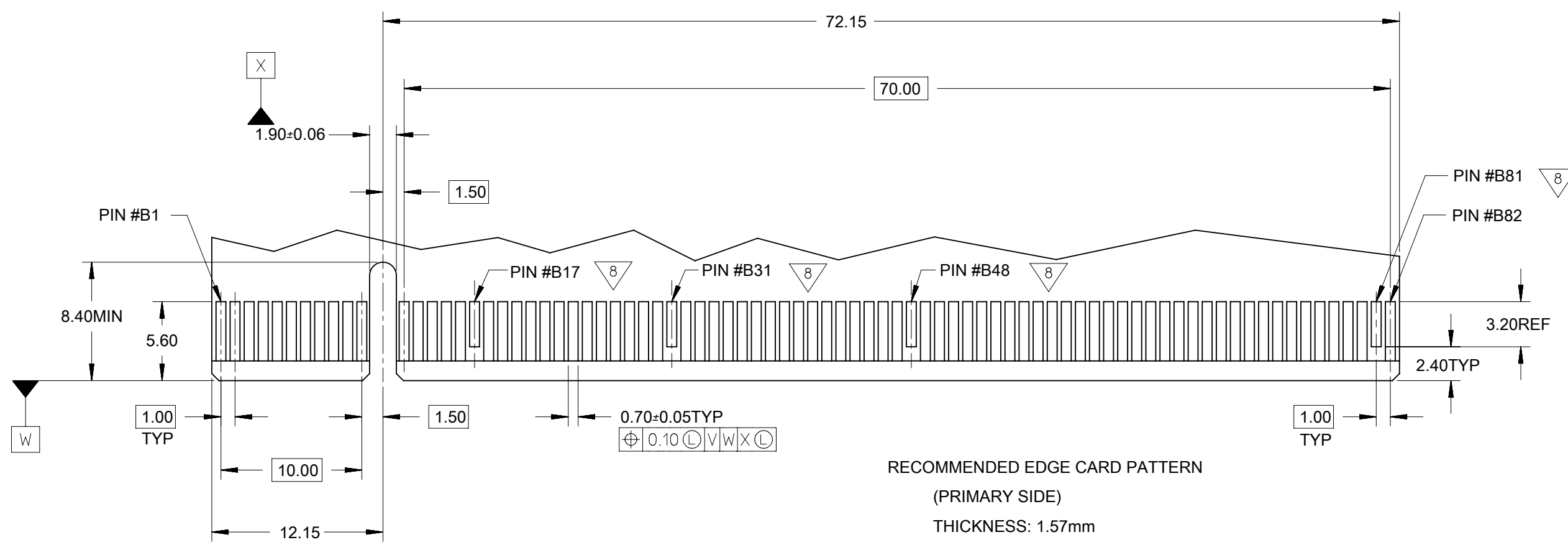
10. KEEP OUT AREA - NO EXTERNAL COMPONENTS ALLOWED ON PCB SURFACE

RECOMMENDED P.C.B. PATTERN
(CONNECTOR SIDE)

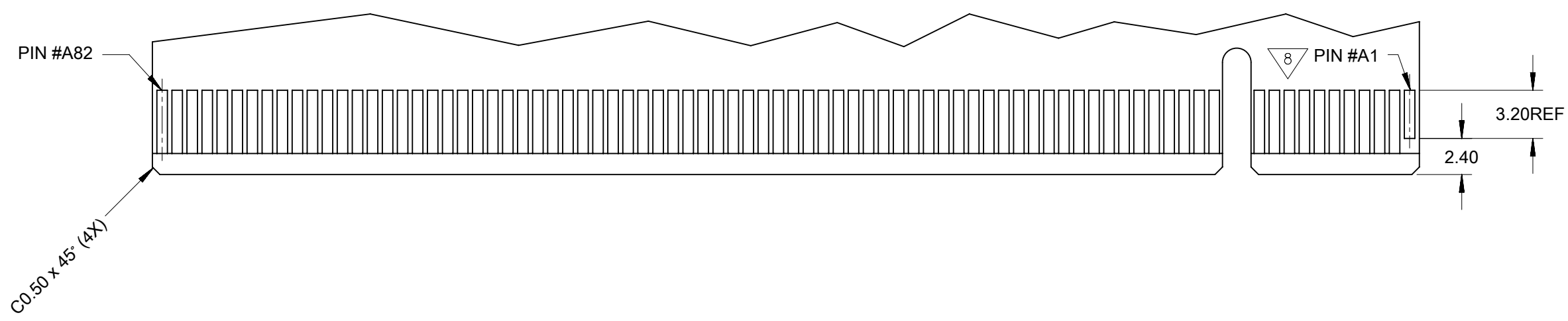
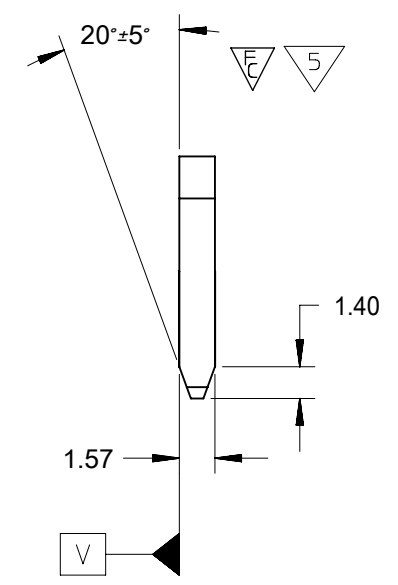
THICKNESS: 1.57mm FOR 2.54mm SOLDER TAIL LENGTH
2.35mm FOR 3.00mm SOLDER TAIL LENGTH

11. PRODUCT SPECIFICATION REFER TO PS-87715-200.
12. PACKAGE SPECIFICATION REFER TO PK-87715-205.
13. TEST SUMMARY REFER TO TS-87715-211.
14. LEAD FREE AND RoHS COMPLIANT PRODUCT.

THIS DRAWING CONTAINS INFORMATION THAT IS PROPRIETARY TO MOLEX ELECTRONIC TECHNOLOGIES, LLC AND SHOULD NOT BE USED WITHOUT WRITTEN PERMISSION		CURRENT REV DESC: OBSOLETE PART NUMBER																					
DIMENSION UNITS: mm SCALE: NTS		EC NO: 638770 DRWN: VLOKESHA CHK'D: GGA APPR: GGA				PCI EXPRESS X16 (164CKT) VERT DIP WITH BOARD LOCK (LEAD FREE VERSION)																	
GENERAL TOLERANCES (UNLESS SPECIFIED)		EC NO: 638770 DRWN: VLOKESHA CHK'D: GGA APPR: GGA		PRODUCT CUSTOMER DRAWING																			
<table border="1"> <tr> <th></th> <th>MM</th> <th>INCH</th> </tr> <tr> <td>4 PLACES ±</td> <td></td> <td></td> </tr> <tr> <td>3 PLACES ±</td> <td></td> <td></td> </tr> <tr> <td>2 PLACES ±</td> <td>0.25</td> <td></td> </tr> <tr> <td>1 PLACE ±</td> <td>0.25</td> <td></td> </tr> <tr> <td>0 PLACES ±</td> <td></td> <td></td> </tr> </table>			MM	INCH	4 PLACES ±			3 PLACES ±			2 PLACES ±	0.25		1 PLACE ±	0.25		0 PLACES ±			INITIAL REVISION: DRWN: KEN LEE APPR: WILSON CHANG		DOCUMENT NUMBER: SD-87715-211 DOC TYPE: PSD DOC PART: 001 REVISION: D1	
	MM	INCH																					
4 PLACES ±																							
3 PLACES ±																							
2 PLACES ±	0.25																						
1 PLACE ±	0.25																						
0 PLACES ±																							
ANGULAR TOL ± 3.0°		DRAFT WHERE APPLICABLE MUST REMAIN WITHIN DIMENSIONS		THIRD ANGLE PROJECTION 																			
DIMENSION UNITS: mm SCALE: NTS		DRAWING: A3-SIZE SERIES: 87715		MATERIAL NUMBER: SEE TABLE CUSTOMER: GENERAL MARKET SHEET NUMBER: 2 OF 3																			



RECOMMENDED EDGE CARD PATTERN
(PRIMARY SIDE)
THICKNESS: 1.57mm



RECOMMENDED EDGE CARD PATTERN
(SECONDARY SIDE)
THICKNESS: 1.57mm

THIS DRAWING CONTAINS INFORMATION THAT IS PROPRIETARY TO MOLEX ELECTRONIC TECHNOLOGIES, LLC AND SHOULD NOT BE USED WITHOUT WRITTEN PERMISSION											
DIMENSION UNITS		SCALE		CURRENT REV DESC: OBSOLETE PART NUMBER						molex	
mm		NTS									
GENERAL TOLERANCES (UNLESS SPECIFIED)				EC NO: 638770		2020/05/22		PCI EXPRESS X16 (164CKT) VERT DIP WITH BOARD LOCK (LEAD FREE VERSION)			
				DRWN: VLOKESHA		2020/07/21					
				CHK'D: GGA		2020/07/21		PRODUCT CUSTOMER DRAWING			
				APPR: GGA		2020/07/21					
				INITIAL REVISION:				DOCUMENT NUMBER		DOC TYPE	
				DRWN: KEN LEE		2006/03/22		SD-87715-211		PSD	
				APPR: WILSON CHANG		2006/03/22		001		D1	
ANGULAR TOL ± 3.0°				DRAFT WHERE APPLICABLE MUST REMAIN WITHIN DIMENSIONS		THIRD ANGLE PROJECTION		DRAWING		SHEET NUMBER	
						A3-SIZE		87715		3 OF 3	