

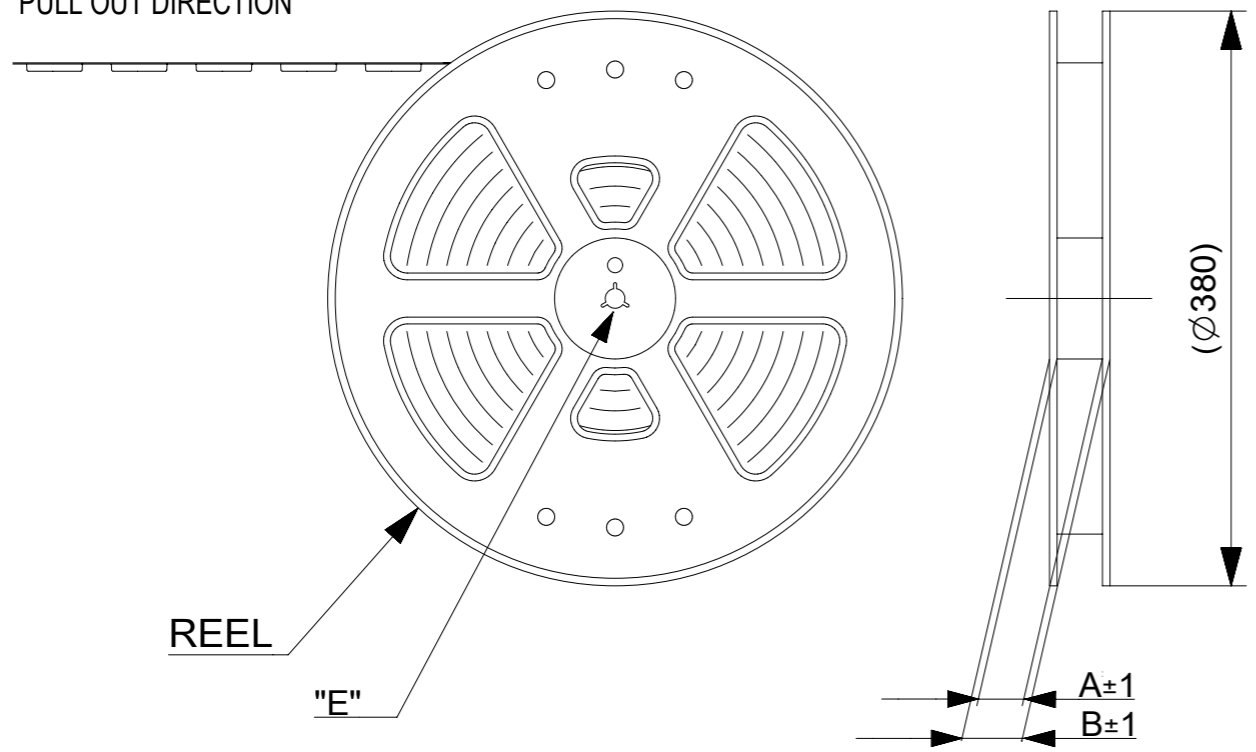
NOTES

- 1. 梱包数量 : 2000個 / リール
NUMBER OF CONNECTORS : 2000 PCS/REEL
- 2. リードテープ長さ
LEAD TAPE LENGTH



- 3. トップテープの剥離強度については、IEC60286-3に準拠。
TOP TAPE PEEL FORCE IS DEFINED BY IEC60286-3.
- 4. 製品詳細寸法については、図面781271001をご参照ください。
REFER TO THE 781271001 ABOUT DIMENSIONS IN DETAIL.
- 5. 材料
 キャリアテープ : ポリスチレン(PS)
 トップテープ : PET, OTHER
 リール : ポリスチレン(PS)(リサイクル材を含む)
 MATERIAL
 CARRIER TAPE : POLYSTYRENE(PS)
 TOP TAPE : PET, OTHER
 REEL : POLYSTYRENE(PS) (RECYCLE MATERIAL CONTAINED)
- 6. 環境負荷物質の管理のため「化学物質ガイドライン(MCSS)」の内容を満足すること。
"MOLEX CHEMICAL SUBSTANCES SPECIFICATION (MCSS)" SHALL BE APPLIED FOR MANAGEMENT OF ENVIRONMENTAL HAZARDOUS MATERIALS.

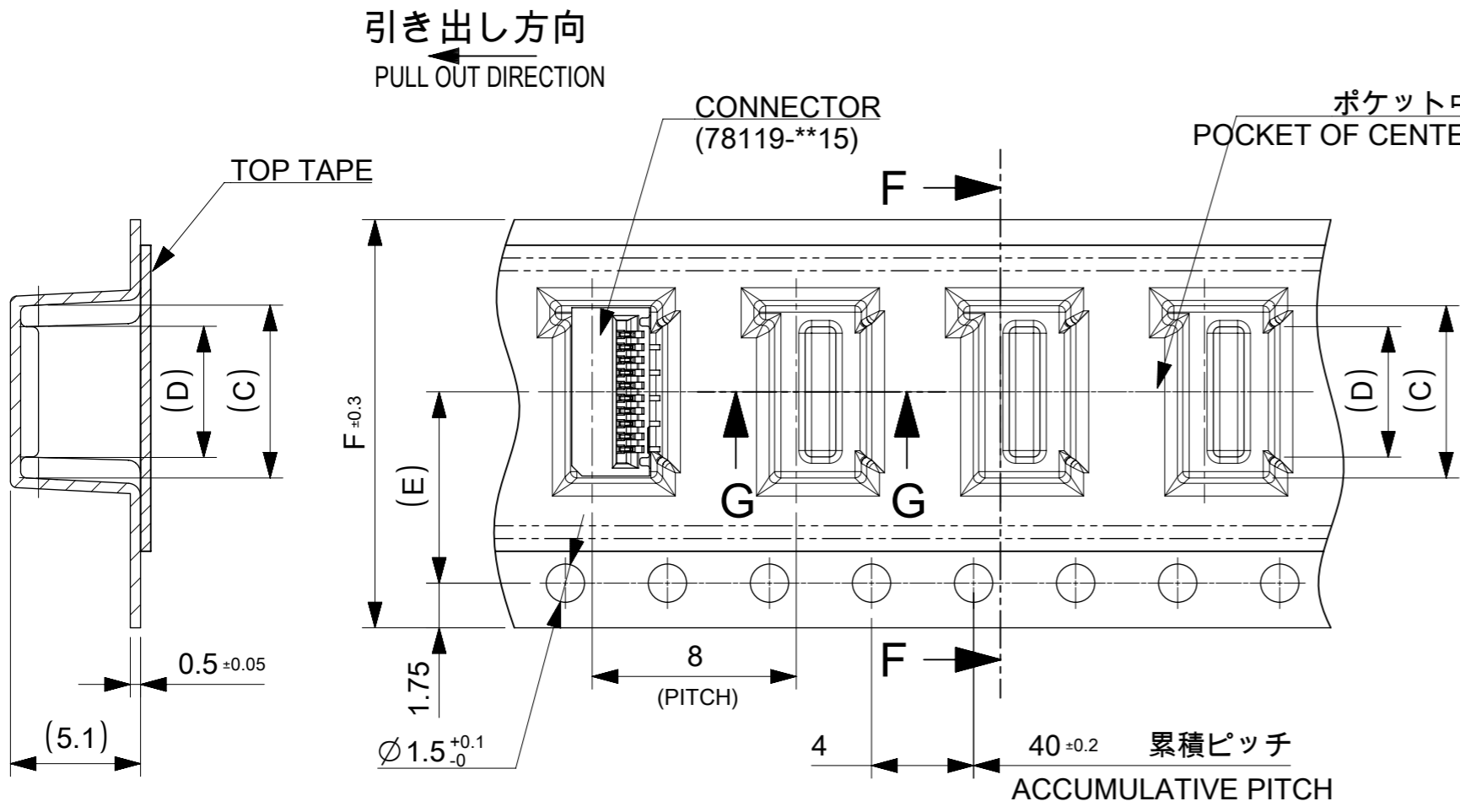
引き出し方向
PULL OUT DIRECTION



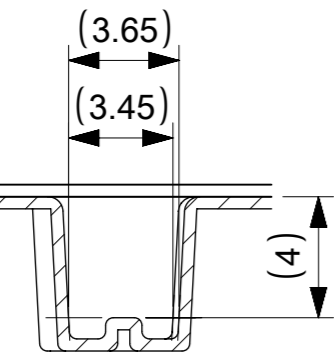
DETAIL "E"

CONNECTOR SERIES NO. 78127**15

THIS DRAWING CONTAINS INFORMATION THAT IS PROPRIETARY TO MOLEX ELECTRONIC TECHNOLOGIES, LLC AND SHOULD NOT BE USED WITHOUT WRITTEN PERMISSION									
DIMENSION UNITS		SCALE		CURRENT REV DESC:				molex	
mm		2:1							
GENERAL TOLERANCES (UNLESS SPECIFIED)				EC NO: 681464				0.5 FPC CONN. N-ZIF ST SB EMBS TP PKG	
ANGULAR TOL $\pm 1.0^\circ$				DRWN: RAJMOK 2021/10/13					
4 PLACES ± 0.1				CHK'D: TKON 2021/10/18				PRODUCT CUSTOMER DRAWING	
3 PLACES ± 0.1				APPR: SHOSHIKAWA 2021/10/18					
2 PLACES ± 0.1				INITIAL REVISION:				DOCUMENT NUMBER	
1 PLACE ± 0.1				DRWN: NASANUMA 2016/06/27					
0 PLACES ± 0.1				APPR: KMORIKAWA 2016/08/02				781270001	
DRAFT WHERE APPLICABLE MUST REMAIN WITHIN DIMENSIONS		THIRD ANGLE PROJECTION		DRAWING		SERIES		MATERIAL NUMBER	
		A3-SIZE		78127		SEE TABLE		CUSTOMER	
								SHEET NUMBER	
								1 OF 3	



SECTION F-F



SECTION G-G

16mm, 24mm幅キャリアテープ

16mm, 24mm WIDTH CARRIER TAPE

24	11.5	14.1	15.8	29.4	25.4	781272810	28
		13.6	15.3			781272710	27
		13.1	14.8			781272610	26
		12.6	14.3			781272510	25
		12.1	13.8			781272410	24
		11.6	13.3			781272310	23
		11.1	12.8			781272210	22
		10.6	12.3			781272110	21
		10.1	11.8			781272010	20
		9.6	11.3			781271910	19
		9.1	10.8			781271810	18
		8.6	10.3			781271710	17
8.1	9.8	781271610	16				
7.6	9.3	781271510	15				
16	7.5	7.1	8.8	21.4	17.4	781271410	14
		6.6	8.3			781271310	13
		6.1	7.8			781271210	12
		5.6	7.3			781271110	11
		5.1	6.8			781271010	10
		4.6	6.3			781270910	9
		4.1	5.8			781270810	8
		3.6	5.3			781270710	7
3.1	4.8	781270610	6				
F TAPE WIDTH	E	D	C	B	A	EMBOSSED PACKAGE オーダー番号 ORDER NO	CIRCUIT

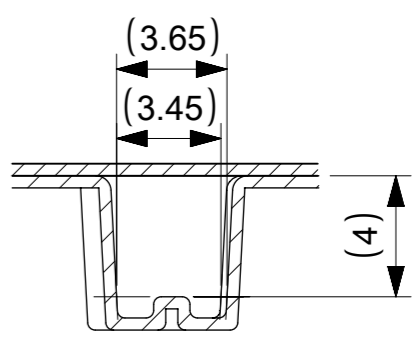
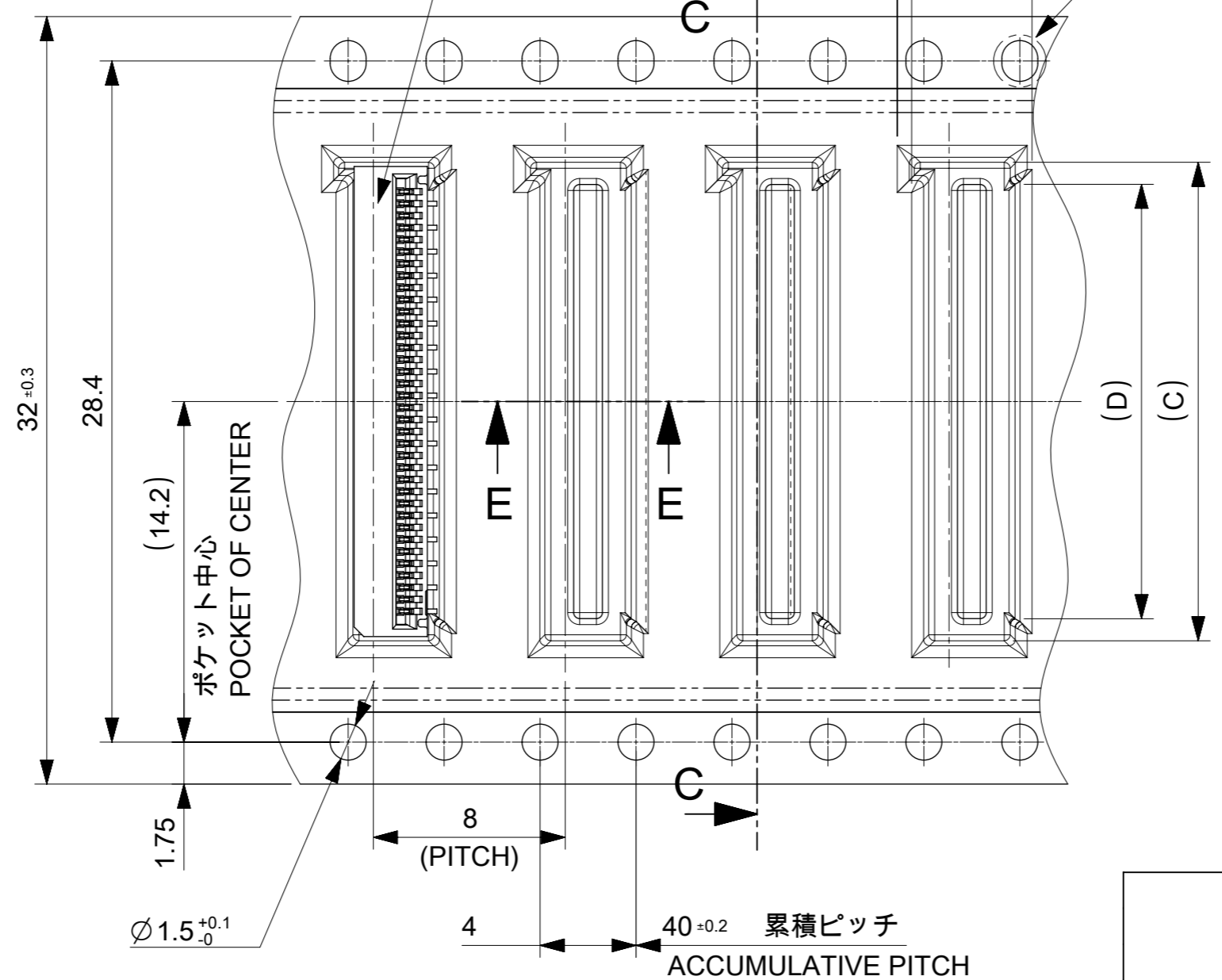
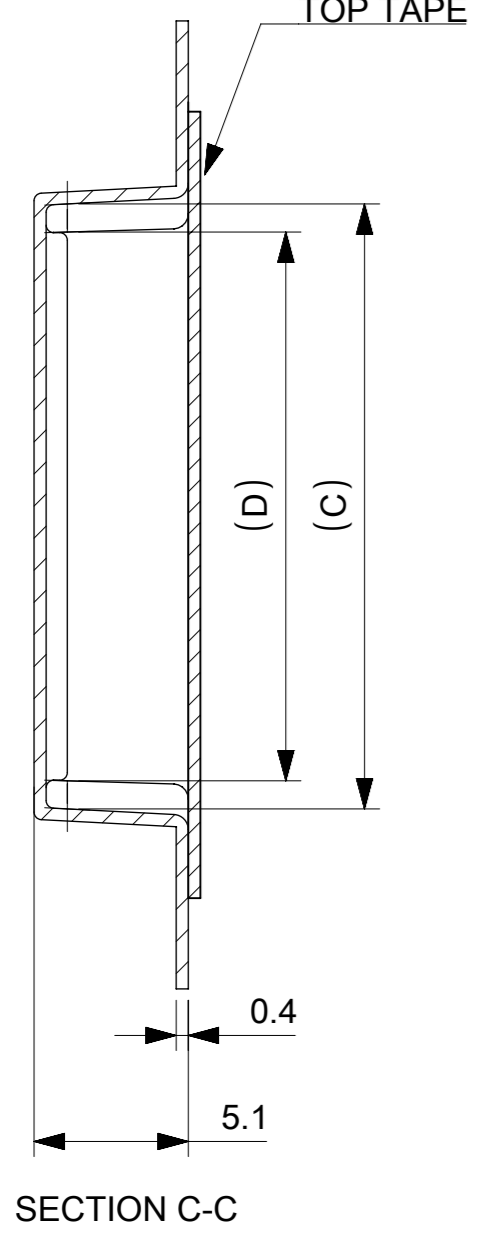
CONNECTOR SERIES NO. 78127**15

THIS DRAWING CONTAINS INFORMATION THAT IS PROPRIETARY TO MOLEX ELECTRONIC TECHNOLOGIES, LLC AND SHOULD NOT BE USED WITHOUT WRITTEN PERMISSION									
DIMENSION UNITS	SCALE	CURRENT REV DESC:							
mm	4:1	<p>molex</p> <p>0.5 FPC CONN. N-ZIF ST SB EMBS TP PKG</p> <p>PRODUCT CUSTOMER DRAWING</p> <p>DOCUMENT NUMBER: 781270001 DOC TYPE: PSD DOC PART: 000 REVISION: B</p> <p>SHEET NUMBER: 2 OF 3</p>							
GENERAL TOLERANCES (UNLESS SPECIFIED)									
ANGULAR TOL	± 1.0 °								
4 PLACES	± 0.1								
3 PLACES	± 0.1								
2 PLACES	± 0.1	EC NO: 681464	2021/10/13						
1 PLACE	± 0.1	DRWN: RAJMOK	2021/10/18						
0 PLACES	± 0.1	CHK'D: TKON	2021/10/18						
DRAFT WHERE APPLICABLE MUST REMAIN WITHIN DIMENSIONS		APPR: SHOSHIKAWA	2021/10/18						
THIRD ANGLE PROJECTION		INITIAL REVISION:	2016/06/27						
DRAWING		DRWN: NASANUMA	2016/08/02						
SERIES		APPR: KMORIKAWA							
MATERIAL NUMBER		A3-SIZE	78127						
CUSTOMER		SEE TABLE							

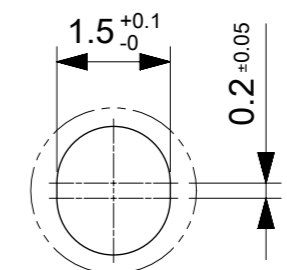
引き出し方向
PULL OUT DIRECTION

CONNECTOR
(78119-**15)

ELV&RoHS COMPLINT



SECTION E-E



DETAIL 1
SCALE 10:1

32	18.1	19.8	37.4	33.4	781273610	36
	17.6	19.3			781273510	35
	17.1	18.8			781273410	34
	16.6	18.3			781273310	33
	16.1	17.8			781273210	32
	15.6	17.3			781273110	31
	15.1	16.8			781273010	30
	14.6	16.3			781272910	29
TAPE WIDTH	D	C	B	A	EMBOSSED PACKAGE オーダー番号 ORDER NO	CIRCUIT

CONNECTOR SERIES NO. 78127**15

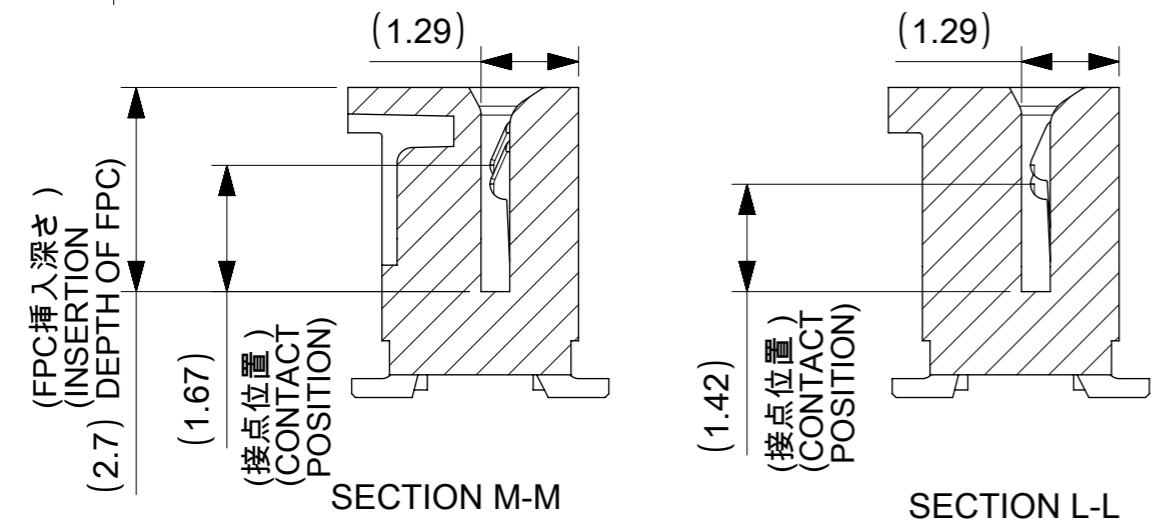
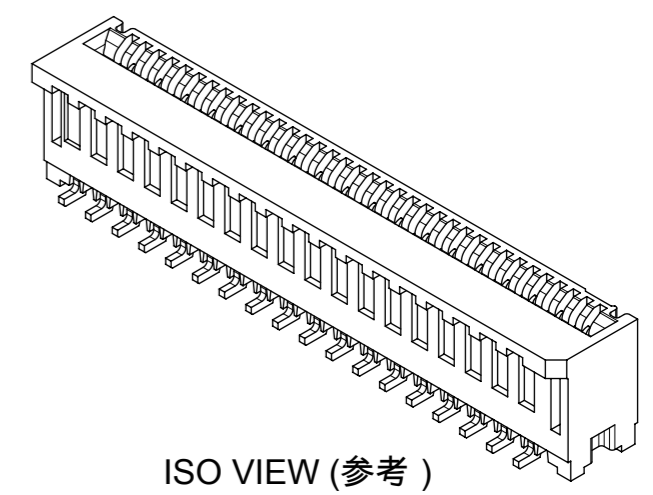
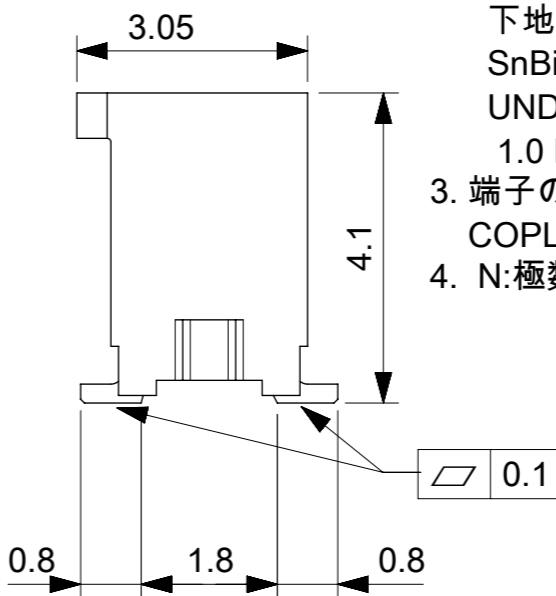
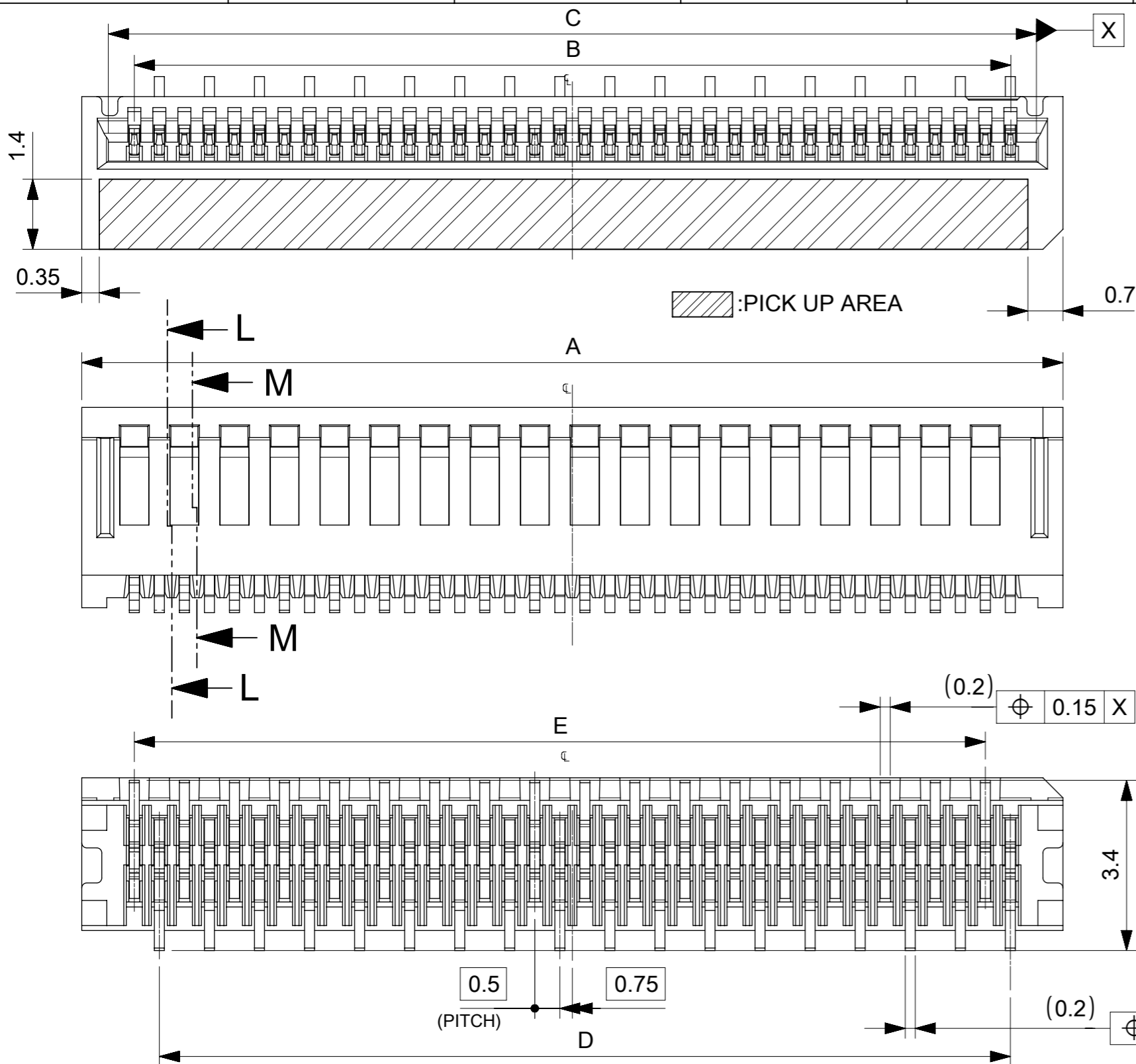
32mm幅キャリアテープ

32mm WIDTH CARRIER TAPE

THIS DRAWING CONTAINS INFORMATION THAT IS PROPRIETARY TO MOLEX ELECTRONIC TECHNOLOGIES, LLC AND SHOULD NOT BE USED WITHOUT WRITTEN PERMISSION												
DIMENSION UNITS	SCALE	CURRENT REV DESC:										
mm	4:1	molex										
GENERAL TOLERANCES (UNLESS SPECIFIED)		0.5 FPC CONN. N-ZIF ST SB EMBS TP PKG										
ANGULAR TOL	± 1.0 °	PRODUCT CUSTOMER DRAWING										
4 PLACES	± 0.1	EC NO: 681464	2021/10/13	DOCUMENT NUMBER						DOC TYPE	DOC PART	REVISION
3 PLACES	± 0.1	DRWN: RAJMOK	2021/10/18	781270001						PSD	000	B
2 PLACES	± 0.1	CHK'D: TKON	2021/10/18	INITIAL REVISION:						SHEET NUMBER		
1 PLACE	± 0.1	APPR: SHOSHIKAWA	2021/10/18	DRWN: NASANUMA						3 OF 3		
0 PLACES	± 0.1	APPR: KMORIKAWA	2021/10/18	2016/06/27								
DRAFT WHERE APPLICABLE MUST REMAIN WITHIN DIMENSIONS		THIRD ANGLE PROJECTION	DRAWING	SERIES	MATERIAL NUMBER	CUSTOMER						
			A3-SIZE	78127	SEE TABLE							

NOTES

1. 使用材料 MATERIALS
 ハウジング : 液晶ポリマー(LCP)
 ガラス充填、UL94V-0、黒色
 端子 : リン青銅 t=0.2mm
 HOUSING : LIQUID CRYSTAL POLYMER(LCP)
 GLASS FILLED, UL94V-0, BLACK
 TERMINAL : PHOSPHOR BRONZE t=0.2mm
2. メッキ仕様 PLATING
 端子 TERMINAL
 錫ビスマスメッキ 1.0µm以上
 下地 : ニッケルメッキ 1.0µm以上
 SnBi PLATING 1.0 MICROMETER MINIMUM
 UNDER PLATING: Nickel PLATING
 1.0 MICROMETER MINIMUM
3. 端子の平坦度はテール部にて0.1mm以下とする。
 COPLANALITY OF SOLDER TAILS: 0.1mm MAX.
4. N: 極数 N: CIRCUIT



CONNECTOR SERIES NO. 78127**15

THIS DRAWING CONTAINS INFORMATION THAT IS PROPRIETARY TO MOLEX ELECTRONIC TECHNOLOGIES, LLC AND SHOULD NOT BE USED WITHOUT WRITTEN PERMISSION			
EC NO: 107065	DRWN: NASANUMA	CHK'D: YKOBAYASHI02	APPR: KMORIKAWA
2016/01/12	2016/08/01	2016/08/02	
GENERAL TOLERANCES (UNLESS SPECIFIED)		DIMENSION UNITS	SCALE
ANGULAR TOL ± 0.5 °		MM	10:1
4 PLACES ± 0.01	3 PLACES ± 0.01	DRWN BY	DATE
2 PLACES ± 0.02	1 PLACE ± 0.05	NASANUMA	2016/01/12
0 PLACES ± 0.05		CHK'D BY	DATE
		YKOBAYASHI02	2016/08/01
DRAFT WHERE APPLICABLE MUST REMAIN WITHIN DIMENSIONS		APPR BY	DATE
		KMORIKAWA	2016/08/02
		DRAWING SIZE	THIRD ANGLE PROJECTION
		A3	
PRODUCT CUSTOMER DRAWING			
SERIES	MATERIAL NUMBER	CUSTOMER	
78127			
DOCUMENT NUMBER	DOC TYPE	DOC PART	SHEET NUMBER
781271001	PSD	000	1 OF 3



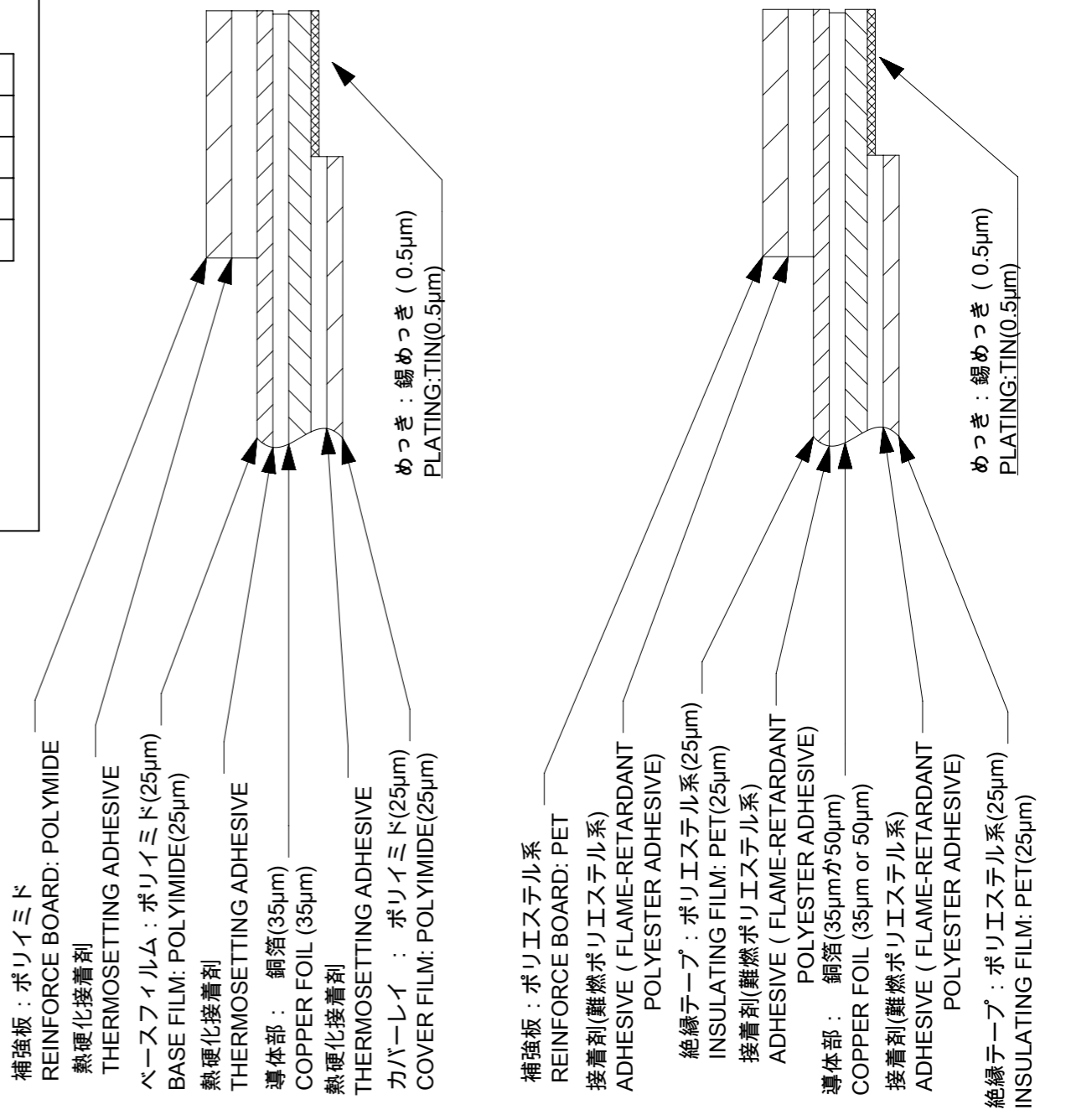
ELV & RoHS COMPLIANT

FPC/FFCについて
 打抜き方向は導体側から補強版側を推奨します。
 導体部については軟箔銅35μmまたは、50μmを推奨いたします。
 接着剤の接点部への付着は導通不良の原因になりますので、染み出し無きことを推奨いたします。
 FPC/FFCに規定された定格温度が、FPC/FFC単体前提である場合が御座います。
 コネクタと組み合わせての実使用において、接着層が劣化する等の信頼性を満足できないケースを回避する為、
 実機での評価 / 確認をお願い致します。

ABOUT FPC/FFC
 RECOMMENDED PUNCHING DIRECTION: FROM CONDUCTOR SIDE TO STIFFENER SIDE.
 RECOMMENDED CONDUCTOR SPEC: SOFT COPPER FOIL.
 RECOMMENDED CONDUCTOR THICKNESS: 35 MICROMETER OR 50 MICROMETER.
 RECOMMENDED PUT APPROPRIATE AMOUNT OF ADHESIVE ON ADHEREND BECAUSE THERE IS
 A POSSIBILITY THAT EXTRA ADHESIVE CAUSES THE DEFECT IN ELECTRICAL CONTINUITY.
 THE HEAT RESISTANCE OF FPC/FFC IS ONLY FPC/FFC SPEC.
 TO PREVENT THE CASE THAT RELIABILITY CANNOT BE SATISFIED (THE ADHESIVE IS
 DETERIORATED etc.) PLEASE DO THE EVALUATION AND THE CONFIRMATION
 WITH ACTUAL CONNECTOR.

FPCについて
 補強フィルム材は、ポリイミドを推奨します。ベースフィルムは25μmを推奨します。
 接着剤は熱硬化接着剤を推奨します。

ABOUT FPC
 RECOMMENDED STIFFENER MATERIAL: POLYIMIDE.
 RECOMMENDED BASE FILM THICKNESS: 25 MICROMETER.
 RECOMMENDED ADHESIVE: THERMOSETTING ADHESIVE.



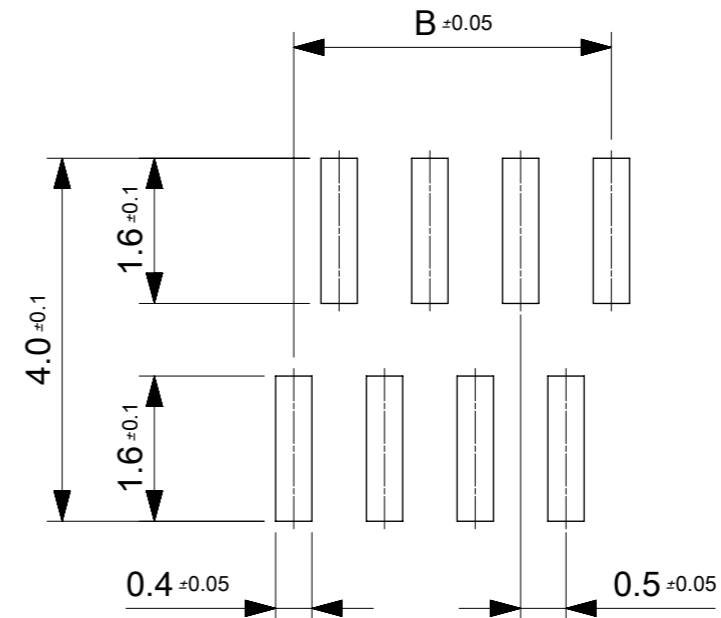
FPC構成推奨仕様
STRUCTURE OF FPC

FFC構成推奨仕様
STRUCTURE OF FFC

THIS DRAWING CONTAINS INFORMATION THAT IS PROPRIETARY TO MOLEX ELECTRONIC TECHNOLOGIES, LLC AND SHOULD NOT BE USED WITHOUT WRITTEN PERMISSION									
EC NO: 107065 DRWN: NASANUMA CHK'D: YKOBAYASHI02 APPR: KMORIKAWA	2016/01/12	GENERAL TOLERANCES (UNLESS SPECIFIED)		DIMENSION UNITS	SCALE	 0.5 PITCH NON-ZIF CONN. SMT ST ASSY PRODUCT CUSTOMER DRAWING SERIES: 78127 MATERIAL NUMBER: 781271001 CUSTOMER: PSD DOC PART: 000 SHEET NUMBER: 2 OF 3			
	2016/08/01	ANGULAR TOL ± 0.5 °		MM	12:1				
	2016/08/02	4 PLACES	± 0.01	DRWN BY	DATE				
		3 PLACES	± 0.01	NASANUMA	2016/01/12				
		2 PLACES	± 0.02	CHK'D BY	DATE				
	1 PLACE	± 0.05	YKOBAYASHI02	2016/08/01					
	0 PLACES	± 0.05	APPR BY	DATE					
			KMORIKAWA	2016/08/02					
	DRAFT WHERE APPLICABLE MUST REMAIN WITHIN DIMENSIONS		DRAWING SIZE	THIRD ANGLE PROJECTION					
A	REV			A3					

17	17	18.6	17.5	19.6	781273610	36
16	17	18.1	17	19.1	781273510	35
16	16	17.6	16.5	18.6	781273410	34
15	16	17.1	16	18.1	781273310	33
15	15	16.6	15.5	17.6	781273210	32
14	15	16.1	15	17.1	781273110	31
14	14	15.6	14.5	16.6	781273010	30
13	14	15.1	14	16.1	781272910	29
13	13	14.6	13.5	15.6	781272810	28
12	13	14.1	13	15.1	781272710	27
12	12	13.6	12.5	14.6	781272610	26
11	12	13.1	12	14.1	781272510	25
11	11	12.6	11.5	13.6	781272410	24
10	11	12.1	11	13.1	781272310	23
10	10	11.6	10.5	12.6	781272210	22
9	10	11.1	10	12.1	781272110	21
9	9	10.6	9.5	11.6	781272010	20
8	9	10.1	9	11.1	781271910	19
8	8	9.6	8.5	10.6	781271810	18
7	8	9.1	8	10.1	781271710	17
7	7	8.6	7.5	9.6	781271610	16
6	7	8.1	7	9.1	781271510	15
6	6	7.6	6.5	8.6	781271410	14
5	6	7.1	6	8.1	781271310	13
5	5	6.6	5.5	7.6	781271210	12
4	5	6.1	5	7.1	781271110	11
4	4	5.6	4.5	6.6	781271010	10
3	4	5.1	4	6.1	781270910	9
3	3	4.6	3.5	5.6	781270810	8
2	3	4.1	3	5.1	781270710	7
2	2	3.6	2.5	4.6	781270610	6

E	D	C	B	A	EMBOSSED PACKAGE	CIRCUIT
オーダー番号 ORDER NO.						



推奨基板レイアウト
RECOMMENDED PCB LAYOUT

参考マスク厚:100μm
参考開口率:100%
REFERENCE SCREEN THICKNESS:100
REFERENCE SCREEN OPEN RATIO:100%

CONNECTOR SERIES NO. 78127**15

THIS DRAWING CONTAINS INFORMATION THAT IS PROPRIETARY TO MOLEX ELECTRONIC TECHNOLOGIES, LLC AND SHOULD NOT BE USED WITHOUT WRITTEN PERMISSION												
EC NO: 107065 DRWN: NASANUMA CHK'D: YKOBAYASHI02 APPR: KMORIKAWA	GENERAL TOLERANCES (UNLESS SPECIFIED)			DIMENSION UNITS	SCALE	molex						
	ANGULAR TOL ± 0.5 °			MM	12:1							
	4 PLACES	± 0.01	DRWN BY		DATE		0.5 PITCH NON-ZIF CONN. SMT ST ASSY					
	3 PLACES	± 0.01	NASANUMA		2016/01/12							
	2 PLACES	± 0.02	CHK'D BY		DATE		PRODUCT CUSTOMER DRAWING					
	1 PLACE	± 0.05	YKOBAYASHI02		2016/08/01							
0 PLACES	± 0.05	APPR BY		DATE		78127						
DRAFT WHERE APPLICABLE MUST REMAIN WITHIN DIMENSIONS			KMORIKAWA		2016/08/02							
			DRAWING SIZE	THIRD ANGLE PROJECTION		SERIES		MATERIAL NUMBER		CUSTOMER		
			A3			78127						
					DOCUMENT NUMBER		DOC TYPE		DOC PART		SHEET NUMBER	
					781271001		PSD		000		3 OF 3	