

MATERIALS AND FINISHES

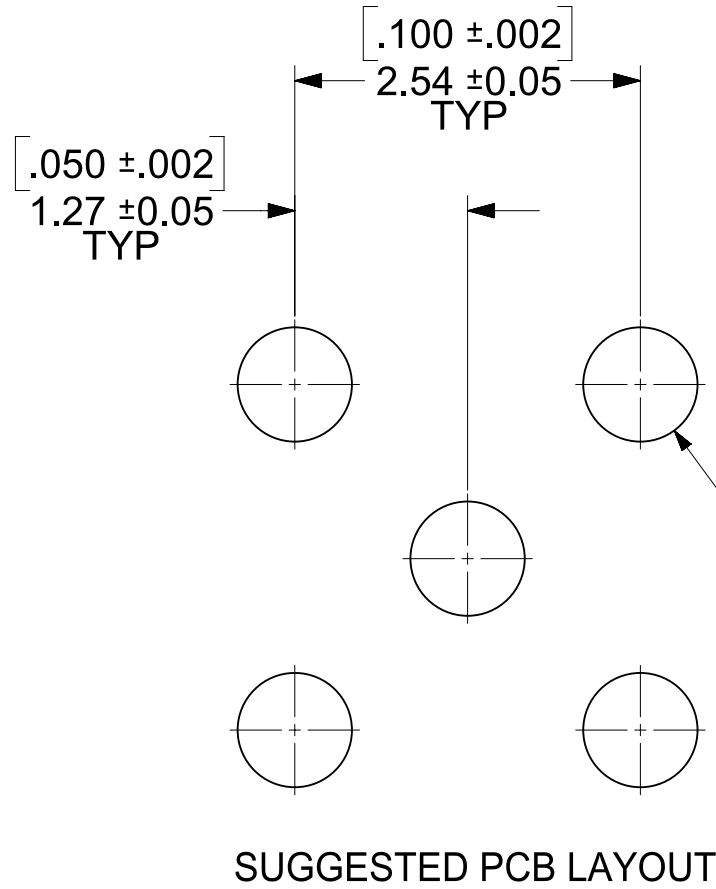
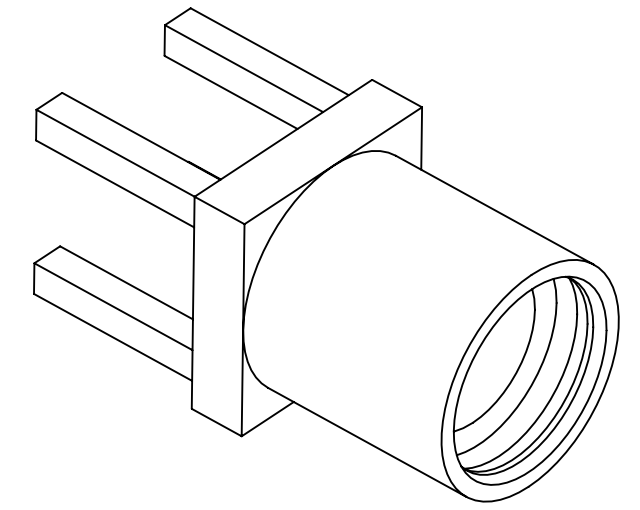
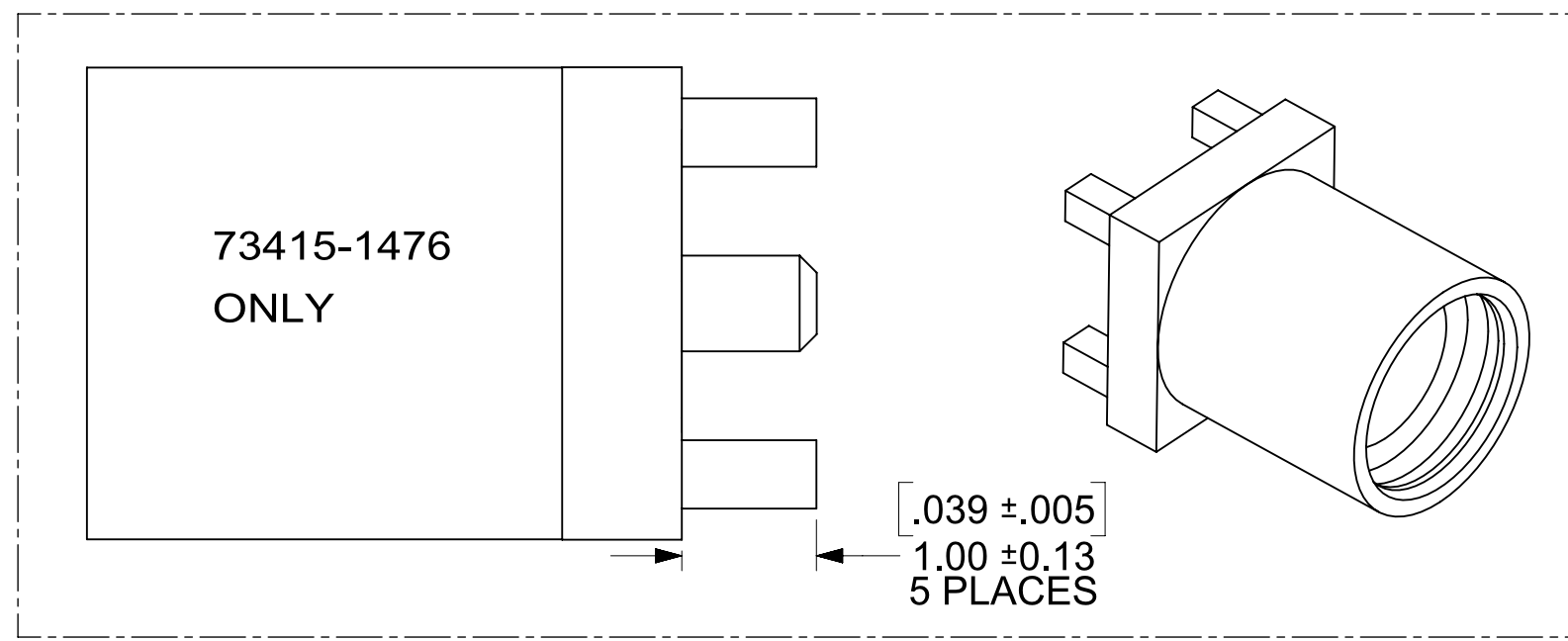
BODY SEE TABLE
PLATED SEE TABLE

CENTER CONTACT BERYLLIUM COPPER
PLATED SEE TABLE

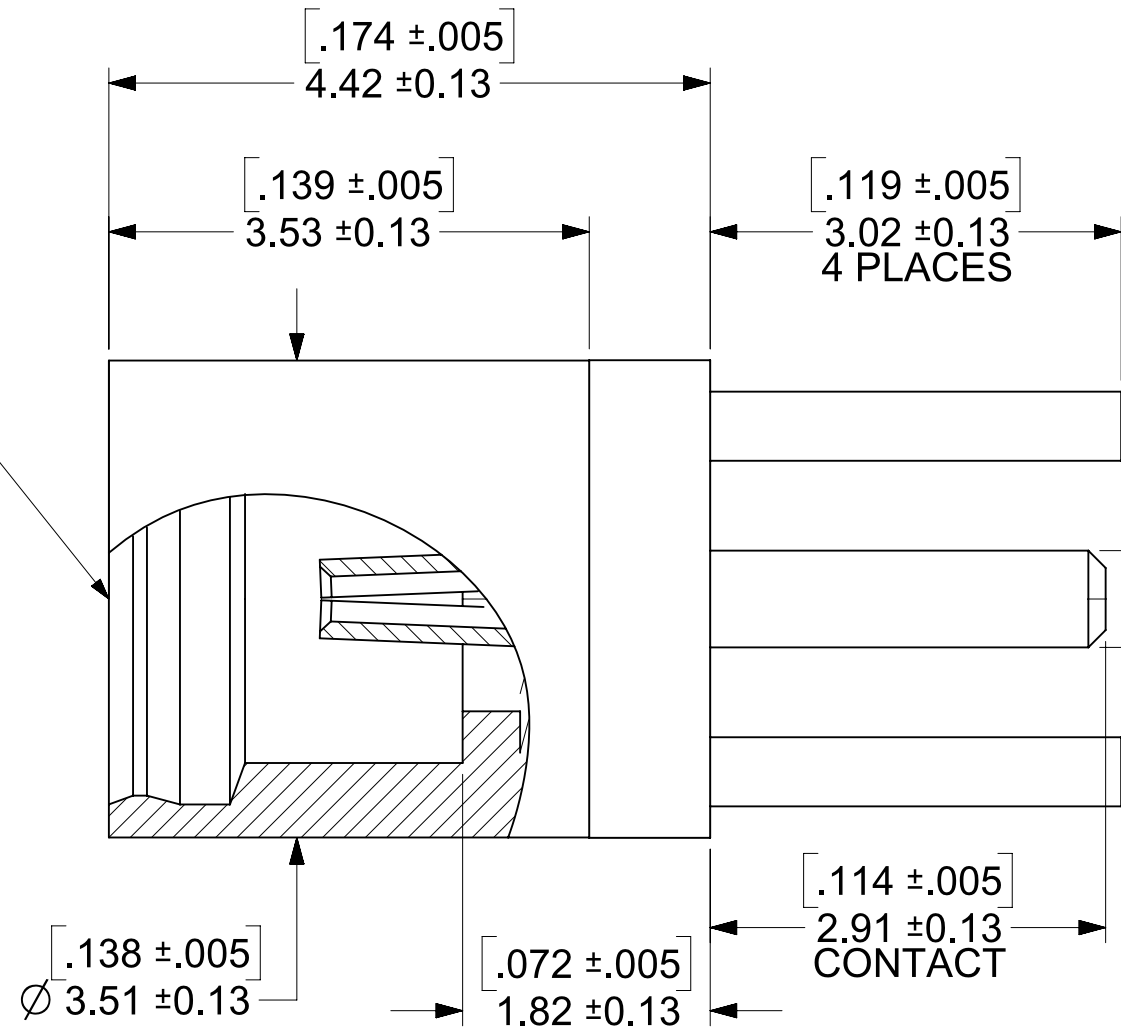
INSULATOR TEFLON

NOTE
PART # 73415-1473 IS

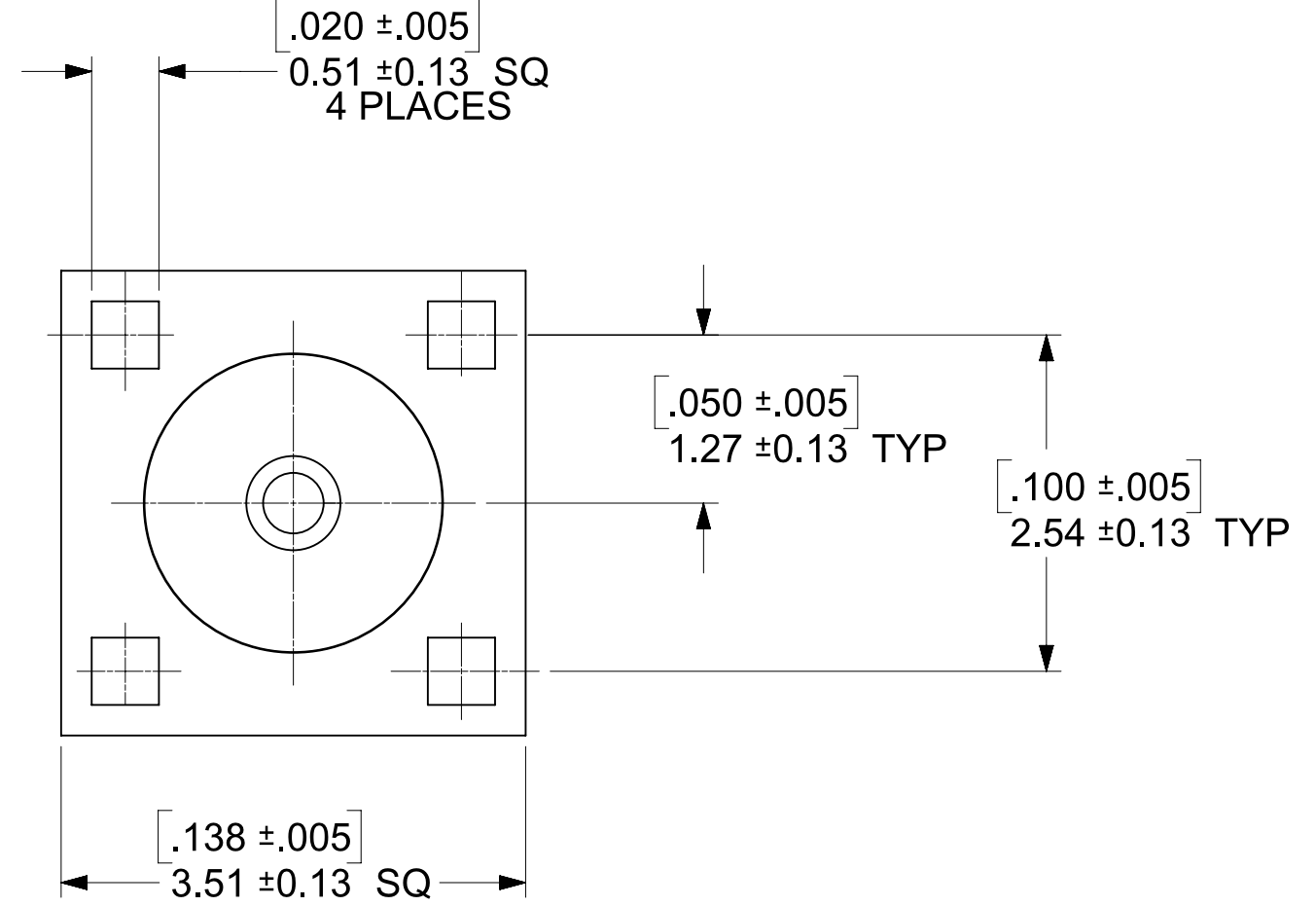
NON-MAGNETIC



MMCX JACK
INTERFACE
Ø 0.84 ±0.05
.033 ±.002
5 PLACES



.028 ±.005
Ø 0.71 ±0.13



73414-0990	P/N 73415-1471 , TAPE AND REEL WITHOUT KAPTON TAPE (SEE 89542-0450 DRAWING)	BRASS/GOLD 1u" (PER COMMERCIAL REQUIRMENT)	GOLD 30u"
73415-1477	TRAY	BRASS/GOLD 1u" (PER COMMERCIAL REQUIRMENT)	GOLD 1u"
73415-1476	TRAY (1.00 MM LEG LENGTHS)	BRASS/GOLD 1u" (PER COMMERCIAL REQUIRMENT)	GOLD 30u"
73415-1475	P/N 73415-1471 , TAPE AND REEL WITH KAPTON TAPE (SEE 89542-0440 DRAWING)	BRASS/GOLD 1u" (PER COMMERCIAL REQUIRMENT)	GOLD 30u"
73415-1474	TRAY	BRASS/GOLD 1u" (PER COMMERCIAL REQUIRMENT)	GOLD 30u"
73415-1473	BAG (SEE 89542-0103 DRAWING)	BeCu/GOLD 10u" (NON MAGNETIC)	GOLD 30u"
73415-1472	P/N 73415-1471, ONE PER BAG	BRASS/GOLD 1u" (PER COMMERCIAL REQUIRMENT)	GOLD 30u"
73415-1471	BAG (SEE 89542-0102 DRAWING)	BRASS/GOLD 1u" (PER COMMERCIAL REQUIRMENT)	GOLD 30u"
73415-1470	BAG (SEE 89542-0102 DRAWING)	BRASS/ GOLD 30u" (PER MILITARY REQUIRMENT)	GOLD 50u"
PART NO.	PACKAGING	MATERIAL/PLATING (BODY)	PLATING (CENTER CONTACT)

CECC 22 340	INTERFACE
PS-89675-1920	ELECTRO/MECH PER.
SPECIFICATION	DESCRIPTION

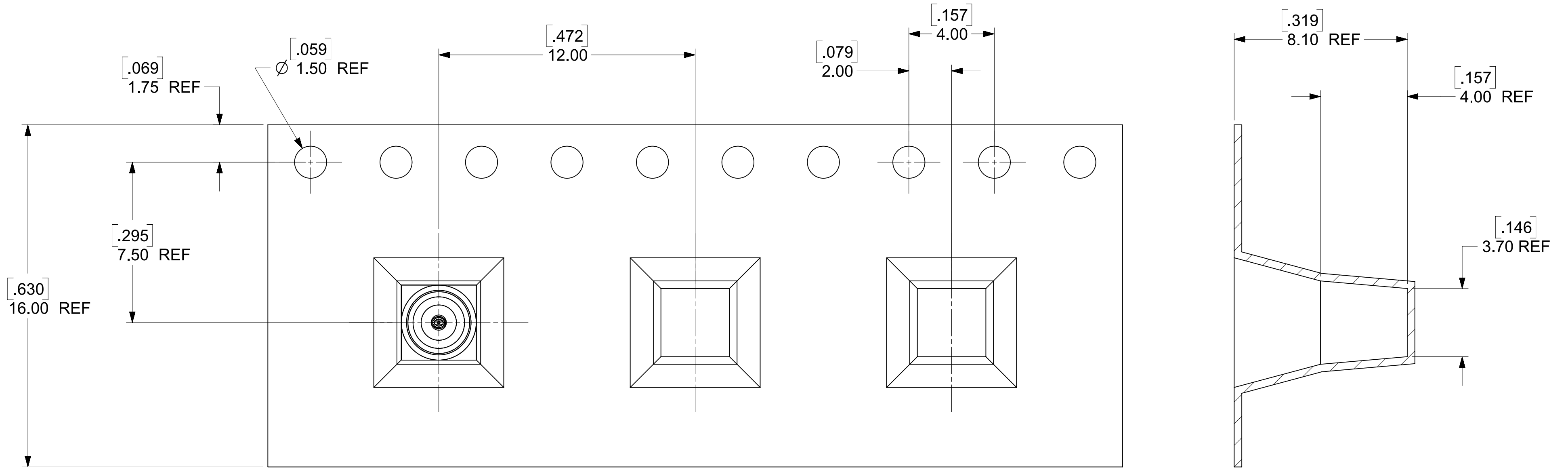
SYMBOLS		THIS DRAWING CONTAINS INFORMATION THAT IS PROPRIETARY TO MOLEX ELECTRONIC TECHNOLOGIES, LLC AND SHOULD NOT BE USED WITHOUT WRITTEN PERMISSION	
▽ = 0	DIMENSION UNITS	SCALE	CURRENT REV DESC:
▽ = 0	MM/INCH	NTS	EWR-14517-B ADDED 73414-0990 PART NO
▽ = 0	GENERAL TOLERANCES (UNLESS SPECIFIED)		EC NO: 675460
▽ = 0	ANGULAR TOL ± 2.0°		DRWN: JSU18 2021/08/19
▽ = 0	4 PLACES ±		CHK'D: YCHENG 2021/08/31
▽ = 0	3 PLACES ±		APPR: YCHENG 2021/08/31
▽ = 0	2 PLACES ±		INITIAL REVISION:
▽ = 0	1 PLACE ±		DRWN: RFC_PLMIMP 2017/12/28
▽ = 0	0 PLACES ±		APPR: JWIENER 2007/01/09
▽ = 0	DRAFT WHERE APPLICABLE MUST REMAIN WITHIN DIMENSIONS	THIRD ANGLE PROJECTION	DRAWING SERIES
▽ = 0		C-SIZE	73415
DOCUMENT STATUS		DOC TYPE	DOC PART
P1	RELEASE DATE	PSD	001
2021/08/31	04:55:36	SD-73415-147	C5
MATERIAL NUMBER		CUSTOMER	SHEET NUMBER
GENERAL MARKET			1 OF 3



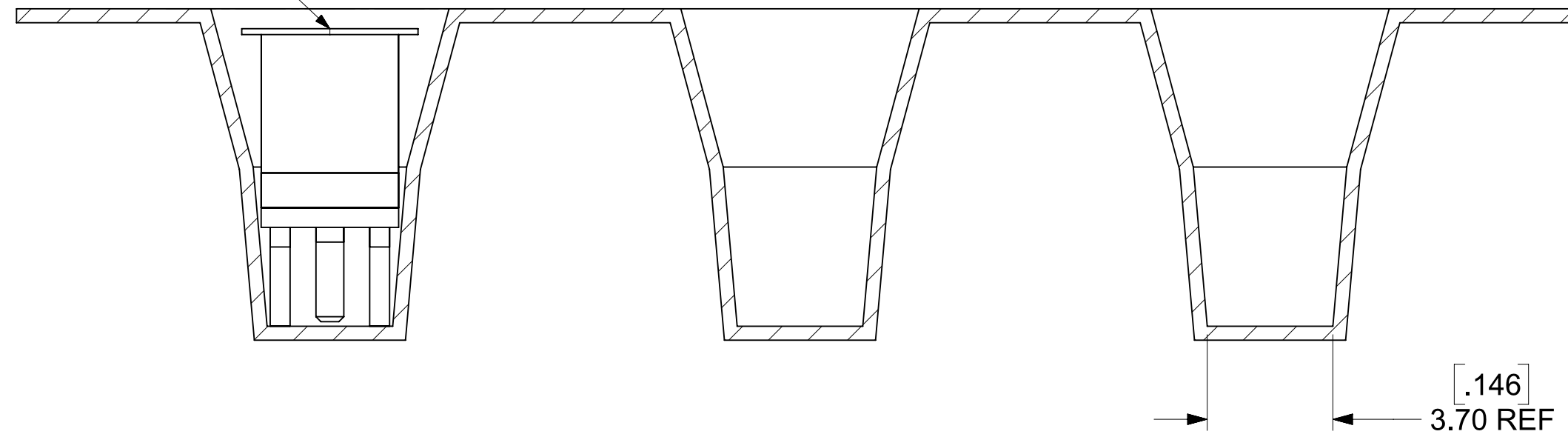
MMCX JACK, PCB MOUNT
50 OHMS MMCX-J/PCB

PRODUCT CUSTOMER DRAWING

NOTE
DIMENSIONS ARE PROVIDED FOR REFERENCE ONLY



KAPTON



(FOR 73415-1475)

THIS DRAWING CONTAINS INFORMATION THAT IS PROPRIETARY TO MOLEX ELECTRONIC TECHNOLOGIES, LLC AND SHOULD NOT BE USED WITHOUT WRITTEN PERMISSION									
SYMBOLS		DIMENSION UNITS		SCALE		CURRENT REV DESC:			
▽ = 0	MM/INCH	NTS	EWR-14517-B			molex			
▽ = 0	GENERAL TOLERANCES (UNLESS SPECIFIED)		ADDED 73414-0990 PART NO						
▽ = 0	ANGULAR TOL ± 2.0°		EC NO: 675460			MMCX JACK, PCB MOUNT			
▽ = 0	4 PLACES ±		DRWN: JSU18			50 OHMS MMCX-J/PCB			
▽ = 0	3 PLACES ±		CHK'D: YCHENG			PRODUCT CUSTOMER DRAWING			
▽ = 0	2 PLACES ±		APPR: YCHENG			INITIAL REVISION:			
▽ = 0	1 PLACE ±		DRWN: RFC_PLMIMP			DOCUMENT NUMBER			
▽ = 0	0 PLACES ±		APPR: JWIENER			SD-73415-147			
▽ = 0	DRAFT WHERE APPLICABLE MUST REMAIN WITHIN DIMENSIONS		THIRD ANGLE PROJECTION		DRAWING		SERIES		MATERIAL NUMBER
▽ = 0			C-SIZE		73415		CUSTOMER		SHEET NUMBER
							GENERAL MARKET		2 OF 3

13" REEL SIZE

12.993 ±.020
Ø 330.02 ±0.51

.647
16.43 MIN

.502
Ø 12.75 REF

250 MM EMPTY MIN

250 MM EMPTY MIN

ORDER QUANTITY PACKED

230.00 MIN

LABEL

- ORDER NO.
- QUANTITY
- PART NO.
- LOT NO.

THIS DRAWING CONTAINS INFORMATION THAT IS PROPRIETARY TO MOLEX ELECTRONIC TECHNOLOGIES, LLC AND SHOULD NOT BE USED WITHOUT WRITTEN PERMISSION											
SYMBOLS		DIMENSION UNITS	SCALE	CURRENT REV DESC:				molex			
▽ = 0	MM/INCH	NTS		EWR-14517-B ADDED 73414-0990 PART NO				MMCX JACK, PCB MOUNT 50 OHMS MMCX-J/PCB			
▽ = 0	GENERAL TOLERANCES (UNLESS SPECIFIED)			EC NO: 675460							
▽ = 0	ANGULAR TOL ± 2.0°			DRWN: JSU18 2021/08/19				PRODUCT CUSTOMER DRAWING			
▽ = 0	4 PLACES ±			CHK'D: YCHENG 2021/08/31				DOCUMENT NUMBER			
▽ = 0	3 PLACES ±			APPR: YCHENG 2021/08/31				DOC TYPE			
▽ = 0	2 PLACES ±			INITIAL REVISION:				DOC PART			
▽ = 0	1 PLACE ±			DRWN: RFC_PLMIMP 2017/12/28				REVISION			
▽ = 0	0 PLACES ±			APPR: JWIENER 2007/01/09				SD-73415-147			
▽ = 0	DRAFT WHERE APPLICABLE MUST REMAIN WITHIN DIMENSIONS			THIRD ANGLE PROJECTION		DRAWING		SERIES		MATERIAL NUMBER	
▽ = 0			C-SIZE		73415		CUSTOMER		SHEET NUMBER		
				GENERAL MARKET		3 OF 3					

DOCUMENT STATUS	P1	RELEASE DATE	2021/08/31	04:55:36
-----------------	----	--------------	------------	----------