

DWG. NO. SD-54481-004

E

D

V

C

B

DO NOT SCALE DRAWING

EG4NO. DRWN: CHK: APPR:	REVISED EG3NO. JD2000-1136 DRWN: THIRAYAMA00/04/21 CHK: MSASAO 00/04/21 APPR: HIKESUGI 00/04/21	REVISED EG2NO. JD000068 DRWN: THIRAYAMA99/07/19 CHK: MSASAO 99/07/19 APPR: HIKESUGI 99/07/19	REVISED EG1NO. JD91263 DRWN: THIRAYAMA99/03/19 CHK: MSASAO 99/03/19 APPR: HIKESUGI 99/03/19	RELEASED EG0NO. JD90110 DRWN: THIRAYAMA98/07/22 CHK: MSASAO 98/07/22 APPR: HIKESUGI 98/07/22	
REV	DESCRIPTION	MATERIAL 材料	FINISH 仕上げ	WIRE RANGE 適用線径範囲	INS. RANGE 被覆外径
8	C	A	0		

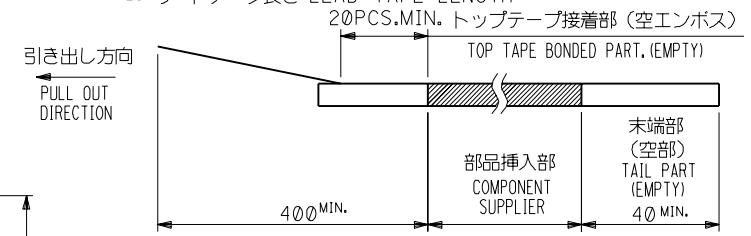
注記5参照 SEE NOTE 5	
10 UNDER 未満	+0.2
10 OVER 以上	+0.25
30 UNDER 未満	+0.25
30 OVER 以上	+0.3
ANGLE 角度	+3°

GENERAL TOLERANCES: (UNLESS SPECIFIED) 一般公差	SCALE —//— mm INCH	DESIGN UNITS <input checked="" type="checkbox"/> mm <input type="checkbox"/> INCH	DIMENSIONS: <input type="checkbox"/> mm <input type="checkbox"/> INCH <input checked="" type="checkbox"/> mm ONLY	SHT REVISE ON CAD ONLY
---	--------------------------	--	--	------------------------------

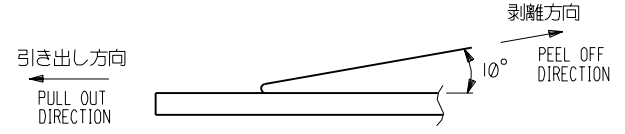
DRAWN BY & DATE <i>T. Kinoshita</i> 98/07/22		TITLE: EMBOSSD TAPE PACKAGE FOR 54481-***20	
CHECKED BY & DATE <i>M. Sarao</i> 98/07/22		APPROVED BY & DATE <i>H. Kamegaki</i> 98/07/22	
MATERIAL NO. SEE SHEETS		DRAWING NO. SD-54481-004	
SHEET NO. 1 OF 3		SIZE B	

NOTES

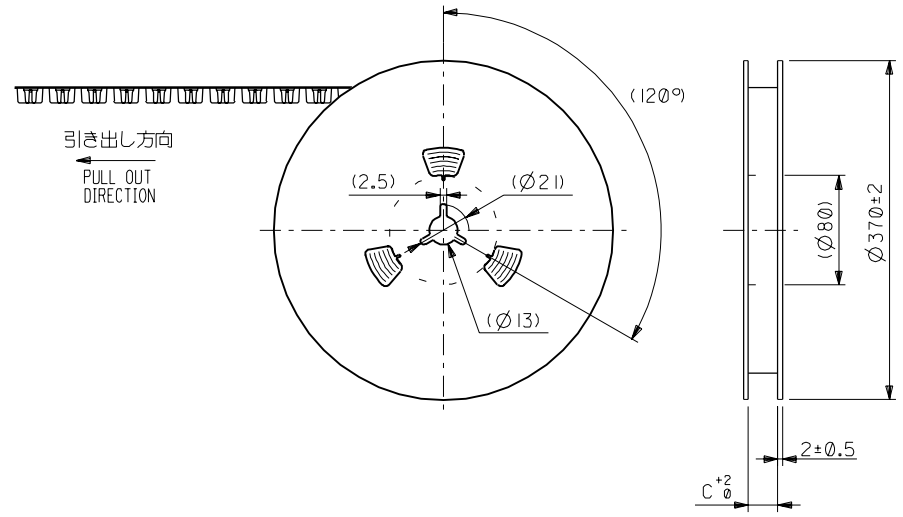
- 製品詳細寸法については図面 SD-54481-003 を参照下さい。
RE DETAILED DIMENSION, SEE SD-54481-003
- 梱包数量: 1000個/リール
NUMBER OF CONNECTORS: 1000PCS/REEL
- リードテープ長さ LEAD TAPE LENGTH
20PCS. MIN. トップテープ接着部 (空エンボス)



- トップテープの剥離強度: 0.1N ~ 0.7N (0.2gf ~ 71.4gf)
(剥離方向は下図参照)
尚、本規格値は出荷時に適用。(但し、輸送時に剥離が発生しないこと。)
PEELING OFF FORCE OF TOP TAPE: 0.1N ~ 0.7N (0.2gf ~ 71.4gf)
(PEELING DIRECTION AS SHOWN IN FOLLOWING FIG.)
THIS REQUIREMENT SHOULD BE APPLIED AT SHIPMENT.
PEEL OFF SHOULD NOT BE ALLOWED, DURING TRANSPORTATION.



- 材料 (MATERIAL)
キャリアテープ (CARRIER TAPE): ポリプロピレン (POLYPROPYLENE)
トップテープ (TOPTAPE): PET, PE, PEF
リール (REEL): 紙製 (CARD BOARD)



F

E

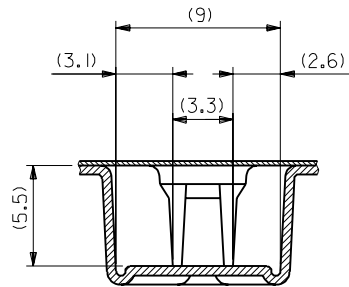
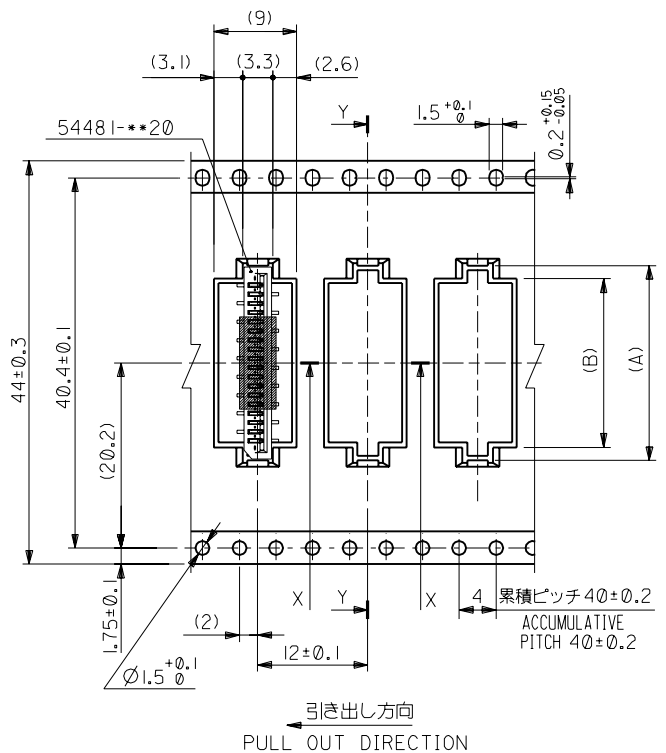
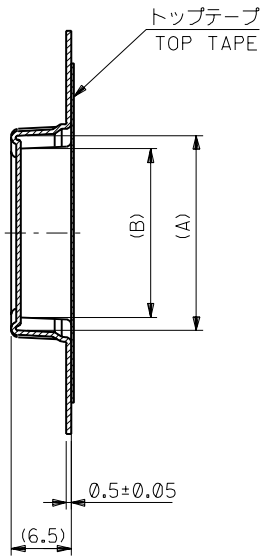
D

C

B

A

DWG. NO. SD-54481-004



SECT:Y-Y

引き出し方向
PULL OUT DIRECTION

44mm幅キャリアテープ
44mm WIDTH CARRIER TAPE

44	44.4	28.4	31.3	54481-2891	28
		24.4	27.3	54481-2491	24
		21.4	24.3	54481-2191	21
		20.4	23.3	54481-2091	20
		18.4	21.3	54481-1891	18
キャリアテープ幅 CARRIER TAPE WIDTH	C	(B)	(A)	MATERIAL NO.	極数 CKT.

MODEL NO.	54481-***91	DIMENSIONS:	SHT	REV	
DESIGN UNITS	<input checked="" type="checkbox"/> mm <input type="checkbox"/> INCH	<input type="checkbox"/> mm <input type="checkbox"/> INCH <input checked="" type="checkbox"/> mm ONLY			
DESIGNED BY & DATE	TITLE:	EMBOSSD TAPE PACKAGE FOR 54481-***20			
CHECKED BY & DATE	MATERIAL NO. SEE CHART				
APPROVED BY & DATE	DRAWING NO. SD-54481-004				
CAB FILENAME	54481004.S02	SHEET NO.		2	
DRAWING CONTAINS INFORMATION THAT IS PROPRIETARY TO MOLEX INCORPORATED AND SHOULD NOT BE USED WITHOUT WRITTEN PERMISSION.					
				SIZE	B

DO NOT SCALE DRAWING

064NO. DRWN: CHK: APPR:	063NO. DRWN: CHK: APPR:	062NO. DRWN: CHK: APPR:	061NO. DRWN: CHK: APPR:	060NO. DRWN: CHK: APPR:	059NO. DRWN: CHK: APPR:
	C	B	A	0	

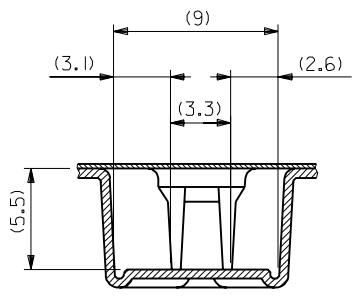
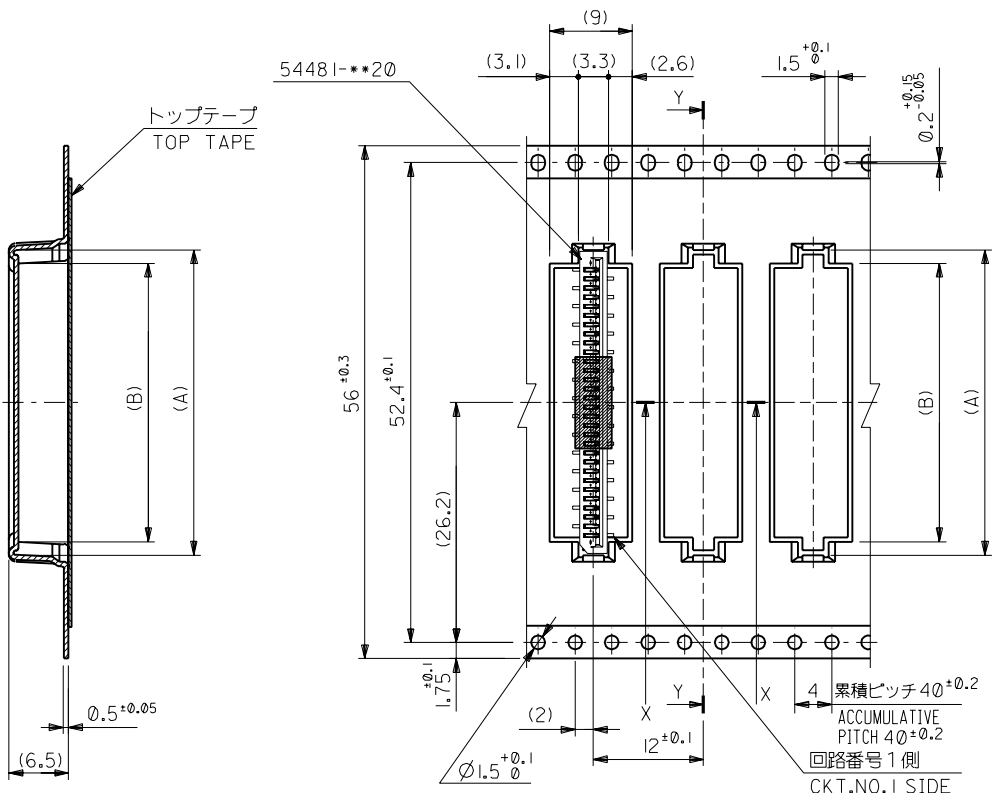
MATERIAL 材料	SHEET 1 OF 3 参照 SEE SHEET 1 OF 3
FINISH 仕上げ	—//—
WIRE RANGE 適用線幅範囲	—//—
INS. RANGE 被覆外径	—//—

GENERAL TOLERANCES: (UNLESS SPECIFIED) 一般公差	SCALE
10 UNDER 未満	DESIGN UNITS
10 OVER 以上	<input checked="" type="checkbox"/> mm <input type="checkbox"/> INCH
30 UNDER 未満	PROJ. ANGLE
30 OVER 以上	<input checked="" type="checkbox"/> mm <input type="checkbox"/> INCH <input checked="" type="checkbox"/> mm ONLY
ANGLE 角度	PROJ. ANGLE
	<input type="checkbox"/> mm <input type="checkbox"/> INCH <input checked="" type="checkbox"/> mm ONLY

EN-02J(097) MXJ-54

54481004.S02

DWG. NO. SD-54481-004



SECT:Y-Y

56mm幅キャリアテープ
56mm WIDTH CARRIER TAPE

56	56.4	29.4	32.3	54481-2991	29
キャリアテープ幅 CARRIER TAPE WIDTH	C	(B)	(A)	MATERIAL NO.	極数 CKT.
MODEL NO.	54481-**91		DIMENSIONS:		SHT REV

DESIGN UNITS <input checked="" type="checkbox"/> mm <input type="checkbox"/> INCH	PROJECTION <input checked="" type="checkbox"/> FIRST ANGLE <input type="checkbox"/> THIRD ANGLE	<input type="checkbox"/> mm <input type="checkbox"/> INCH <input checked="" type="checkbox"/> mm ONLY	<input type="checkbox"/> mm ONLY	BEVISE ON CAD ONLY
DRAWN BY & DATE <i>T. Kinoshita</i> 98/07/22		TITLE: EMBOSSD TAPE PACKAGE FOR 54481-**20		
CHECKED BY & DATE <i>M. Saito</i> 98/07/22		APPROVED BY & DATE <i>M. Saito</i> 98/07/22		
CAB FILENAME 54481004.S03		MATERIAL NO. SEE CHART	DRAWING NO. SD-54481-004	SHEET NO. 3

DO NOT SCALE DRAWING

EG4NO. DRAWN: CHK: APPR:	EG3NO. DRAWN: CHK: APPR:	EG2NO. DRAWN: CHK: APPR:	EG1NO. DRAWN: CHK: APPR:	EG0NO. DRAWN: CHK: APPR:
C	B	A	0	

MATERIAL 材料	SHEET 1 OF 3 参照 SEE SHEET 1 OF 3
FINISH 仕上げ	—//—
WIRE RANGE 適用線径範囲	—//—
INS. RANGE 被覆外径	—//—

GENERAL TOLERANCES: (UNLESS SPECIFIED) 一般公差	
10 UNDER 未満	+0.2
10 OVER 以上 30 UNDER 未満	+0.25
30 OVER 以上	+0.3
ANGLE 角度	+3°

THIS DRAWING CONTAINS INFORMATION THAT IS PROPRIETARY TO MOLEX INCORPORATED AND SHOULD NOT BE USED WITHOUT WRITTEN PERMISSION.

EN-02J(097) MXJ-54

54481004.S03