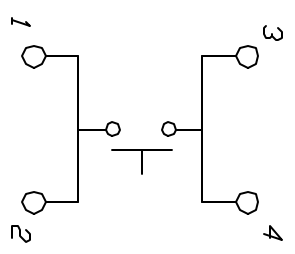
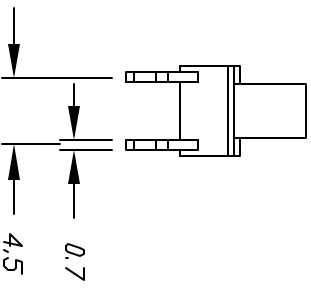
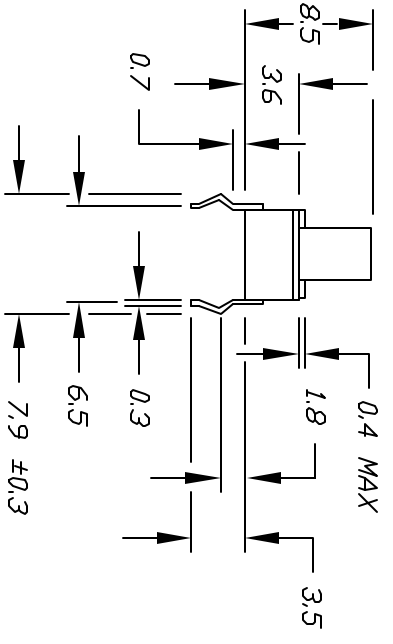


P.C.B. MOUNTING HOLES



CONTACT CONFIGURATION

NOTES:

- 1. ALL DIMENSIONS IN MM
- 2. TERM. NOS. FOR REF ONLY

E-SWITCH

| TOLERANCES | | TITLE | | SCALE | | DATE | | DR | | DWG | | REV | |
|------------|-------|--------------------------------|--|-------|---------|------|--|---------|---|-----|--|-----|--|
| 0.0 | ±0.4 | TL 1105 P (160 GF/8.5mm BLACK) | | 2:1 | 8/14/96 | MM | | P010008 | A | | | | |
| 0.00 | ±0.25 | | | | | | | | | | | | |

| REV. | DESCRIPTION | DATE | CHKD |
|------|-------------------------|------|------|
| A | RELEASED FOR PRODUCTION | | |

THE INFORMATION CONTAINED IN THIS DOCUMENT IS PROPRIETARY TO E-SWITCH AND IS NOT TO BE COPIED OR TRANSMITTED