



New Product Announcement

PI3USB4000D
PI3USB4002A

Ultra-High Voltage Protection USB2 1:2 & 1:1 Mux/DeMux

The PI3USB4000D/4002A are part of a family of high-performance passive signal Mux/Demux switches.

This family can switch USB2 and UART signals with high-voltage protection.

Using a unique design technology, Diodes Incorporated has been able to provide a 24V DC tolerance on the high-speed data pins, which can prevent shorts to the Vbus on USB and USB Type-C® connectors.

This unique technology also offers a lower power consumption, ~35µA, and a compact package 1.5mm x 2.0mm for mobile applications.

USB Type-C® and USB-C® are trademarks of USB Implementers Forum



The Diodes Advantage

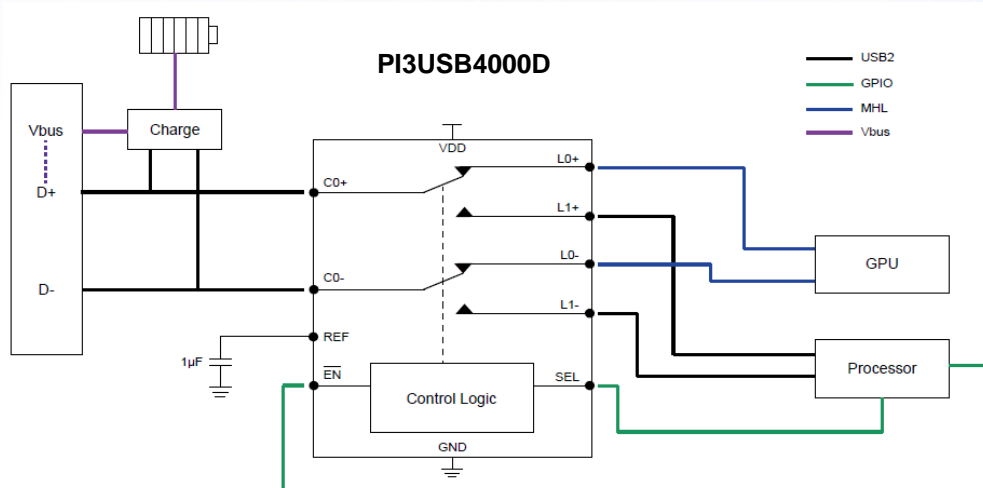
USB2 Mux with High-voltage Withstand for Robust USB-C solutions

- **24V DC withstand on Data Pins**
Protects the system from damage that is due to connector/cable damage
- **Compact 1.5mm x 2mm UQFN package**
Small footprint solution
- **Ultra-low 35µA supply current and 1µA for Chip Disabled Current Consumption**
Minimal power consumption
- **Meets IEC61000-4-2, 10kV**
Robust high-performance ESD Protection

Applications

- Servers/Storage
- Smartphones
- PCs/Notebooks
- USB Type-C Connector Protection

Application Diagram



Product Portfolio

Part Number	Configuration	Withstand Voltage on Data Pins	Withstand Voltage on VDD	Package	Temperature Range
PI3USB4000D	1:2 / 2:1	24V	9V	10-UQFN (1.5 x 2mm)	-40 to 85°C
PI3USB4002A	1:1				

Ordering Information

MPN	Packaging	Quantity per reel
PI3USB4000DZUAEX	U-QFN1520-10	3,500
PI3USB4002AZUAEX		

Further Information

PI3USB4000D: <https://www.diodes.com/part/PI3USB4000D>

PI3USB4002A: <https://www.diodes.com/part/PI3USB4002A>