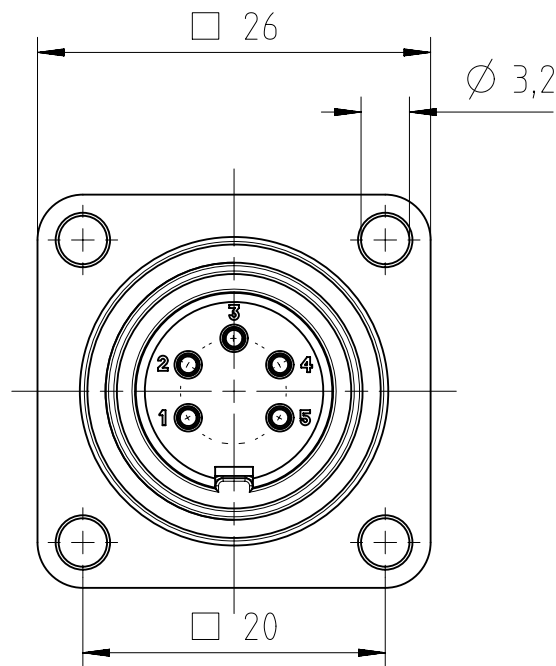
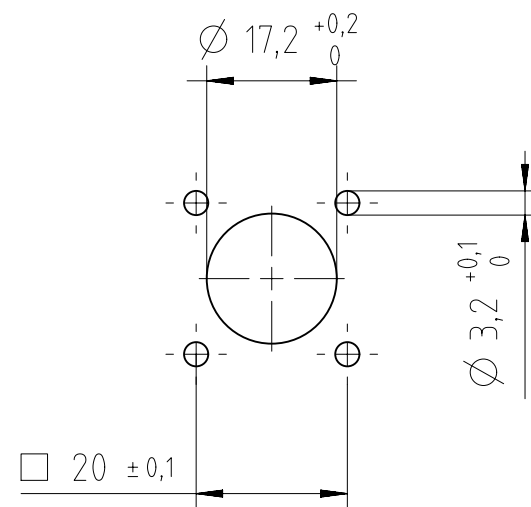


*for 12, 14 and 19 pol = 6,7



Panel Cutout M1:1



Sealing area must be flat and polished.
provide suitable sealing for the screws

Number of contacts	Standard	3	4	5	5	6	7	7	8	12	14	14	19	
Contact arrangement	IEC 61076-2-106	03-a	04-a	05-a	05-b	06-a	07-a	07-b	08-a	12-a	14-a	14-b	19-a	
Contact arrangement	IEC 60130-9 ¹⁾	yes		no		yes		no		no				
Rated voltage ²⁾	IEC 60664-1	300 V (100 V)		300 V (63 V)		100 V (32 V)		300 V (63 V)		100 V (32 V)		150 V (32 V) / 60 V (32 V)		
Rated voltage	UL 1977	250V								60V				
Rated impulse withstand voltage ²⁾	IEC 60664-1	1500 V (1500 V)		1200 V (800 V)		1500 V (1500 V)		1200 V (800 V)						
Pollution degree ²⁾	IEC 60664-1	1 (3 ³⁾)												
Installation category	IEC 60664-1	I												
Insulation group	IEC 60664-1	II, 400 ≤ CTI < 600												
Current rating	IEC 60512-5-2 UL 1977	10A/+40°C			7A/+40°C					3A/+40°C				
Insulation resistance	IEC 60512-3-1	>10 ¹⁰ Ohm ⁴⁾												
Contact resistance	IEC 60512-2-1	<5mOhm												
Climatic category	IEC 60668-1	40 / 100 / 56												
Temperatur range	IEC 60668-1	-40°C...+100°C / -40°F...+212°F												
Salt spray resistance	DIN IEC 60068-2-11, test Ka	720h												
IP degree	IEC 60529	IP 69K / IP 67 / IP 65 (in mated condition)												
Insertion and withdrawal force	IEC 60512-13-2	25N	30N	35N	35N	50N	55N	55N	60N	50N	50N	50N	60N	
mechanical operation	IEC 60512-9-1	Silver ≥500 mating cycles / Gold ≥1000 mating cycles												
housing material		brass and / or zinc die cast, nickel plated												
dielectric material		thermoplastic												
sealing material		Chloroprene												
contacts		silver or gold plated												
termination technique		solder												
wire gauge		≤0,5mm ² / 20 AWG								≤0,35mm ² / 22 AWG				
flamability		UL 94 V0												
locking system	IEC 60130-9 DIN EN 61076-2-106	metal screw coupling; tightening torque 0,7 - 1,5 Nm												

	19 (19-a)	Ag	C091 31S019 100 2 U	F
		Au	C091 31S019 200 2 U	
	14 (14-b)	Ag	C091 31S114 100 2 U	E
		Au	C091 31S114 200 2 U	
	14 (14-a)	Ag	C091 31S014 100 2 U	D
		Au	C091 31S014 200 2 U	
	12 (12-a)	Ag	C091 31S012 100 2 U	C
		Au	C091 31S012 200 2 U	
	8 (08-a)	Ag	C091 31S008 100 2 U	B
		Au	C091 31S008 200 2 U	
	7 (07-b)	Ag	C091 31S107 100 2 U	A
		Au	C091 31S107 200 2 U	
	7 (07-a)	Ag	C091 31S007 100 2 U	A
		Au	C091 31S007 200 2 U	
	6 (6-a)	Ag	C091 31S006 100 2 U	A
		Au	C091 31S006 200 2 U	
	5 (05-b)	Ag	C091 31S105 100 2 U	A
		Au	C091 31S105 200 2 U	
	5 (05-a)	Ag	C091 31S005 100 2 U	A
		Au	C091 31S005 200 2 U	
	4 (04-a)	Ag	C091 31S004 100 2 U	A
		Au	C091 31S004 200 2 U	
	3 (03-a)	Ag	C091 31S003 100 2 U	A
		Au	C091 31S003 200 2 U	
Contact arrangement View on mating side				
	Number of contacts (Contact arrangement acc DIN EN 61076-2-106)	contact plating	Part number	

Gewicht (errechnet) / Calc WT: 18,74 g		Zul. Abw./Tolerances:		Maßstab / Scale: 2:1		A3			
Prüfmaß / Testdimension		ISO 2768-c		DIN / ISO 13715		CUSTOMER DRAWING			
Teileindex / Partindexnumber:									
Bagatelle change:		Gez. 07.07.2016		Drawn RSCHADEL		Male receptacle flange mounting			
		Status Released							
		Gepr. 11.01.2021		Checked MBERTSCH		M C091 31SXXX X00 2 U			
05	202000083	26.10.2020	MCARL	Amphenol Tuchel Industrial GmbH		Blatt / Sheet 1			
04	201800085	04.07.2018	MBERT						
03	201600320	07.07.2016	RSCHA	Ers. f. l. Replacement for: M-C091 31SXXX X00 2 U Rev02					
Index	Änderung / Description	Datum / Date	Name						

¹⁾ Edition 2000-05
²⁾ values in brackets are according to DIN EN 61076-2-106
³⁾ designed acc. pollution degree 2, can be used under pollution degree 3 when the rules of IEC 60644-1 are fulfilled
⁴⁾ under operating conditions >10⁸ Ohm

Do not connect or disconnect under load. Metal housing parts shall be securely incorporated to protected ground.
 Remark for gold plated contacts:
 In order to avoid brittle inter-metallic connections, gold plated terminals have to be tin-plated in the solder area.
 All technical data have been measured in a laboratory environment and can be different during practical usage of the product. Any product information is for descriptive usage only and not legally binding, particularly the information does not constitute or provide any legal guaranties ("Beschaffungsgarantie" or "Haltbarkeitsgarantie").

Weitergabe sowie Vervielfältigung dieser Unterlage, Verwertung und Mitteilung ihres Inhalts ist nicht gestattet, soweit nicht ausdrücklich zugestanden. Zuwiderhandlungen verpflichten zu Schadenersatz. Alle Rechte für den Fall der Patenterteilung oder Gebrauchsmuster-Eintragung vorbehalten.