

- > precision pliers for ultra fine cutting work, e.g. in electronics and fine mechanics
- > electrically discharging handles – dissipative
- > precision box-joint
- > low-friction double spring for gentle and even opening
- > the mirror polish and a fine film of oil offers effective rust protection – no circuit faults caused by peeling chrome from plated tools
- > cutting edge hardness (at least 60 HRC)
- > with two-color dual component handles, black/grey
- > ball bearing chrome steel

Style 1
End Cutter, with small bevel

Style 3
Oblique End Cutter, short head, with small bevel, 15° angle

Style 6
Oblique End Cutter, mini-blade with small bevel, 65° angle



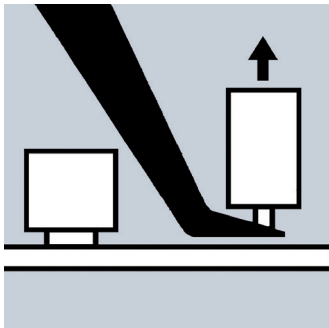
64 12 115 ESD
 $\angle 90^\circ$



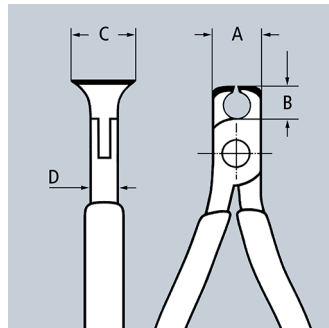
64 32 120 ESD
 $\angle 15^\circ$



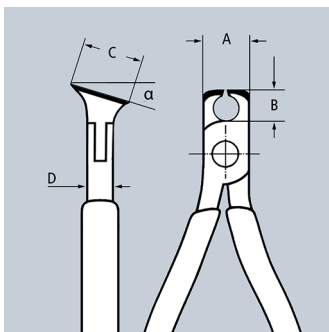
64 62 120 ESD
 $\angle 65^\circ$



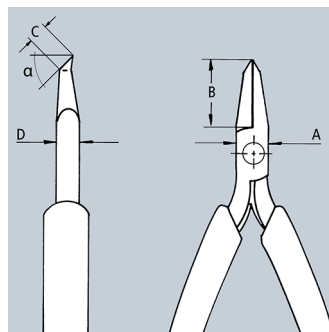
64 62 120 ESD



64 12 115 ESD



64 32 120 ESD



64 62 120 ESD

ESD Pliers (electrostatic discharge)

Electrostatic energy is discharged through the handles in a gradual and controlled manner which protects components endangered by electrostatic discharge in accordance with applicable standards, e.g. IEC TR 61 340-5, DIN EN 61 340-5, SP Method 2472



Product Number	Packaging	↔ Inch mm	\angle MM	Head	Handles	Style	Cutting capacities			Dimensions				 lbs
							 Ø Inch Ø mm	 Ø Inch Ø mm	 Ø Inch Ø mm	A Inch mm	B Inch mm	C Inch mm	D Inch mm	
64 02 115 ESD		4 1/2 115	$\angle 90^\circ$	mirror polished	ESD multi-component grips	0	5/64 2.0	3/64 1.0	1/64 0.5	7/16 11.0	15/64 6.0	5/8 16.0	19/64 7.5	0.21
64 12 115 ESD		4 1/2 115	$\angle 90^\circ$	mirror polished	ESD multi-component grips	1	1/16 1.5	3/64 1.0	1/64 0.5	7/16 11.0	15/64 6.0	5/8 16.0	9/32 7.0	0.21
64 32 120 ESD		4 3/4 120	$\angle 15^\circ$	mirror polished	ESD multi-component grips	3	1/16 1.5	3/64 1.0	1/64 0.5	7/16 11.0	25/64 10.0	43/64 17.0	9/32 7.0	0.20
64 62 120 ESD		4 3/4 120	$\angle 65^\circ$	mirror polished	ESD multi-component grips	6	1/64 0.5	-	-	3/8 9.5	47/64 18.5	13/64 5.0	15/64 6.0	0.15