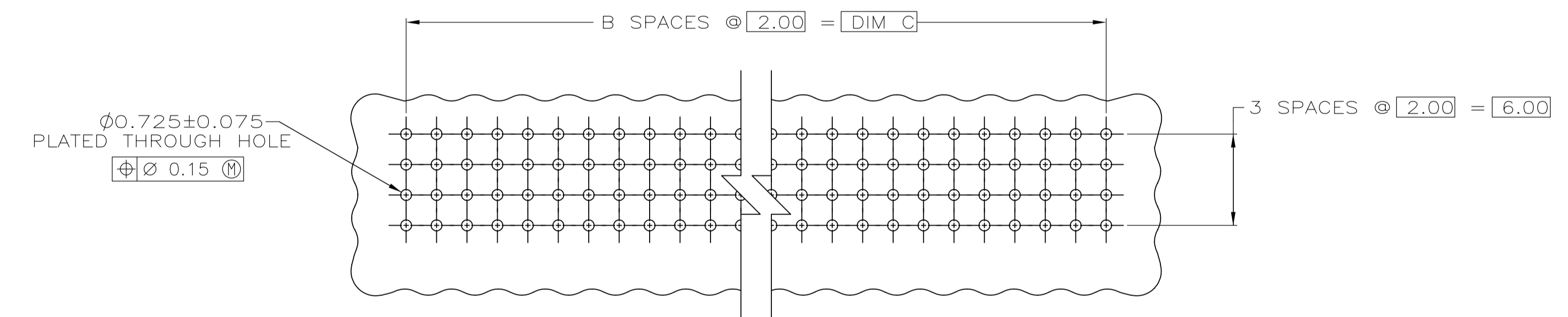
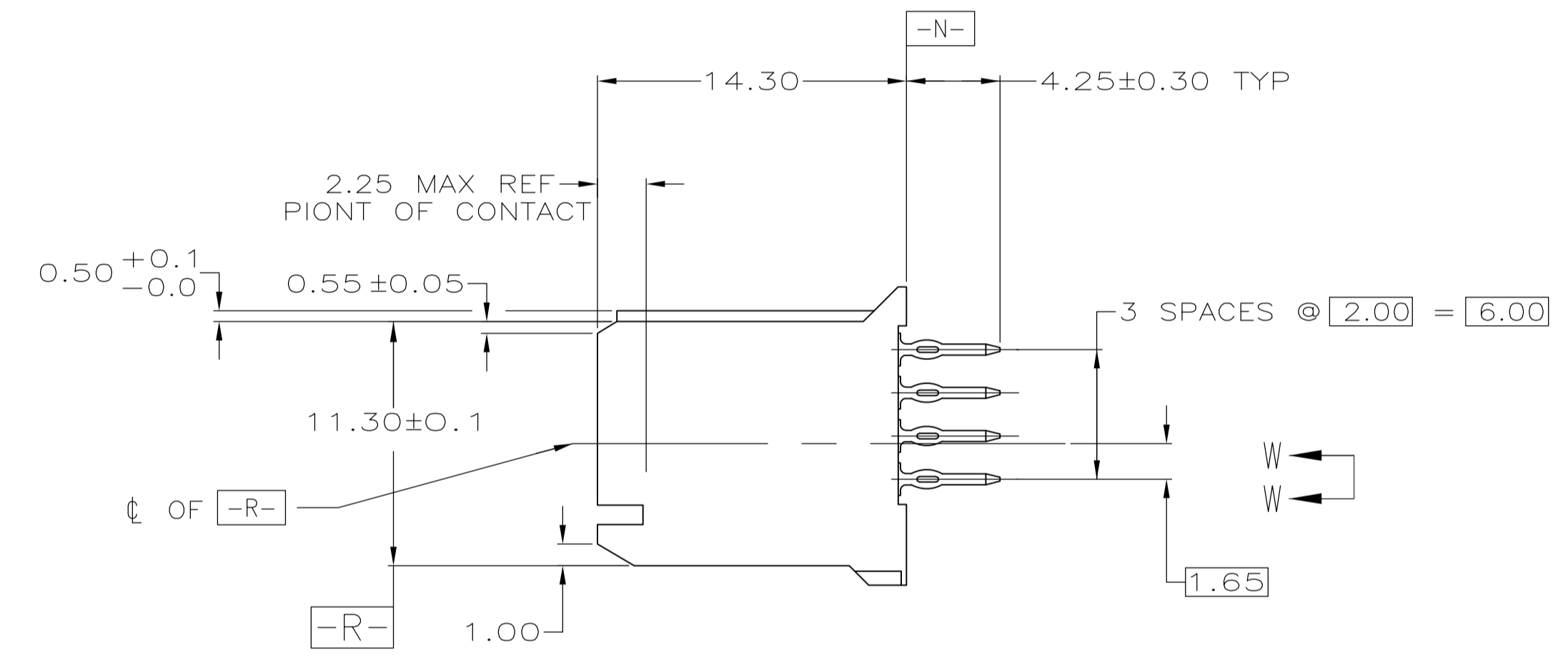
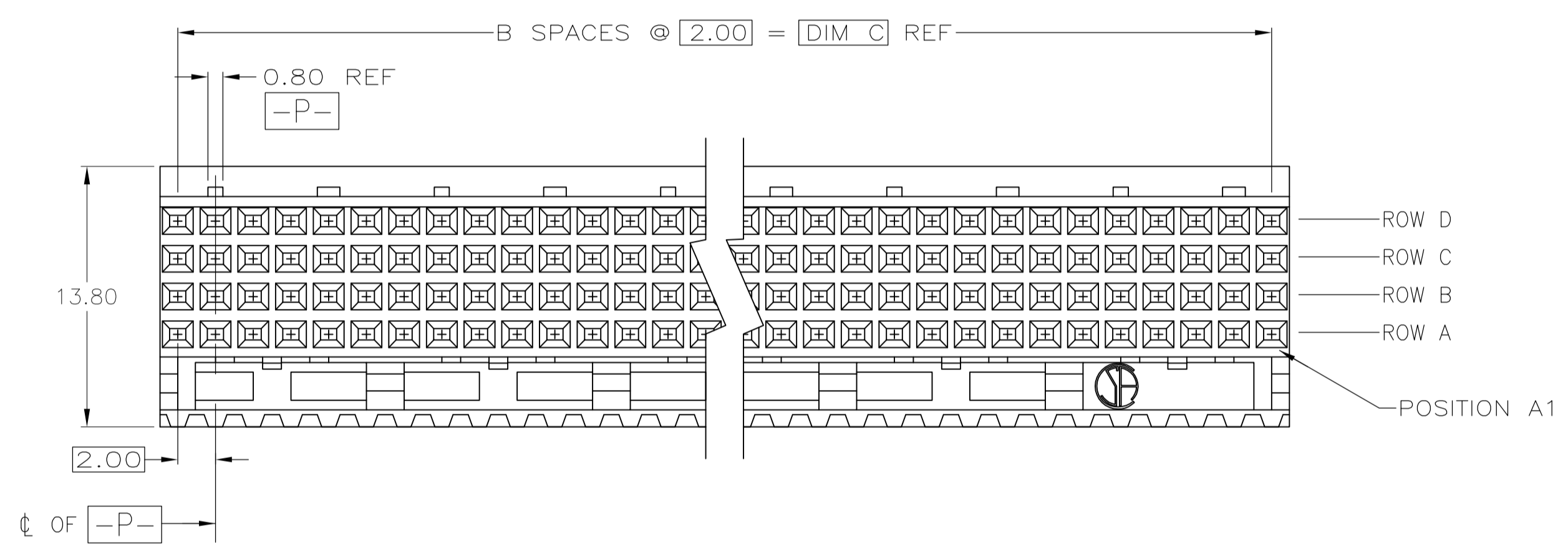
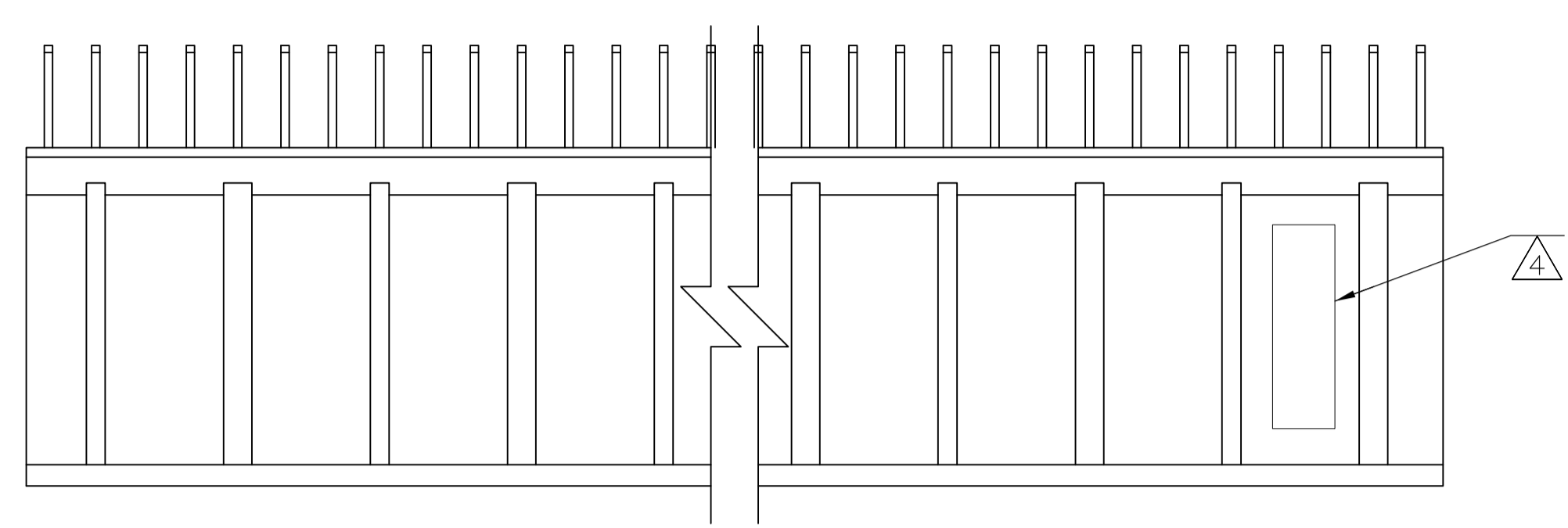
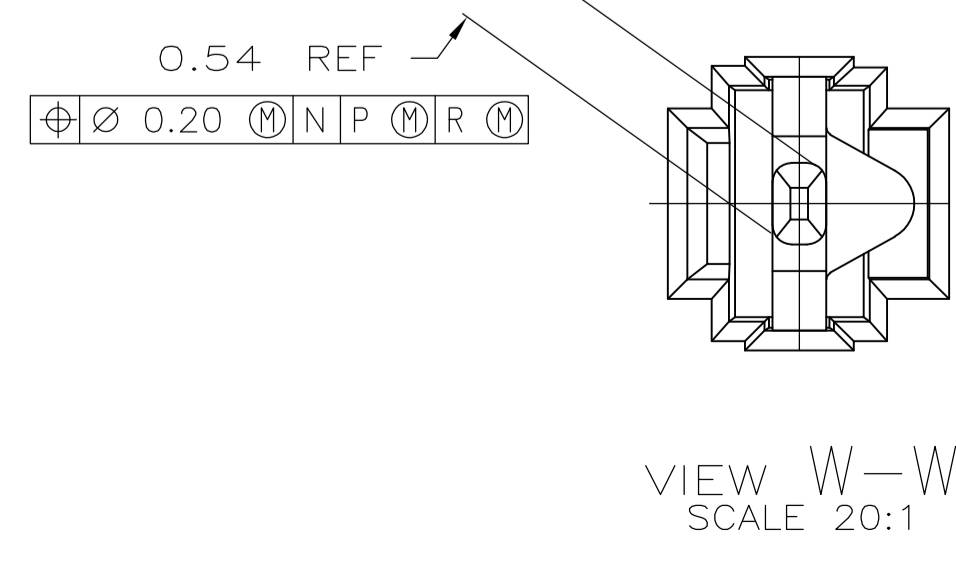


- △ HOUSING MATERIAL: LIQUID CRYSTAL POLYMER. COLOR: NATURAL
- △ CONTACT MATERIAL: PHOSPHOR-BRONZE
- △ CONTACT FINISH:(B)
 UNDERPLATE (ENTIRE CONTACT):
 0.00127 MIN NICKEL PER SAE-AMS-QQ-N-290
 ON MATING SURFACES:
 CONFORMS TO ALL TESTING SPECIFIED FOR TELCORDIA UNCONTROLLED ENVIRONMENT.
 ON LEADS:
 0.0006 MIN MATTE TIN PER ASTM B 545 OVER UNDERPLATE.
 LUBRICATION (MIN MATING SURFACES):
 SURFACE CONDITIONER AFTER PLATING.
- △ PART MARKING, LOCATED APPROXIMATELY AS SHOWN.
- △ OBSOLETE PARTS: OBSOLETE CIS STREAMLINING PER D.RENAUD/D.SINISI



RECOMMENDED CIRCUIT PATTERN (COMPONENT SIDE)

△ OBSOLETE	94.00	47	95.88	192	5223650-8
	82.00	41	83.88	168	5223650-7
	70.00	35	71.88	144	5223650-6
△ OBSOLETE	58.00	29	59.88	120	5223650-5
	46.00	23	47.88	96	5223650-4
△ OBSOLETE	34.00	17	35.88	72	5223650-3
	22.00	11	23.88	48	5223650-2
	10.00	5	11.88	24	5223650-1
	DIM C	B	DIM A	NUMBER OF SIGNAL POSITIONS	PART NUMBER



VIEW W-W SCALE 20:1

THIS DRAWING IS A CONTROLLED DOCUMENT.

DIMENSIONS: mm	TOLERANCES UNLESS OTHERWISE SPECIFIED:	DIN B MCMMASTER 150EC04	STE TE Connectivity
0 PLC ± -	1 PLC ± -	APVD R.WERTZ 150EC04	NAME ASSEMBLY, RECEPTACLE, SIGNAL, VERTICAL, 4 ROW, Z-PACK 2mm FB, WITH PRESS-FIT LEADS
2 PLC ± 0.13	3 PLC ± -	PRODUCT SPEC	APPLICATION SPEC
4 PLC ± -	ANGLES ± -	SIZE	CAGE CODE DRAWING NO
MATERIAL	FINISH	WEIGHT	A1 00779 C=5223650
1	2	3	CUSTOMER DRAWING SCALE 4:1 SHEET 1 OF 1 REV B