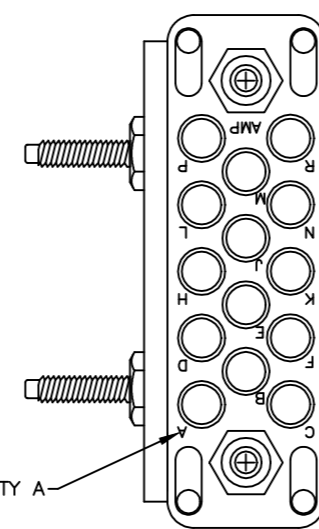
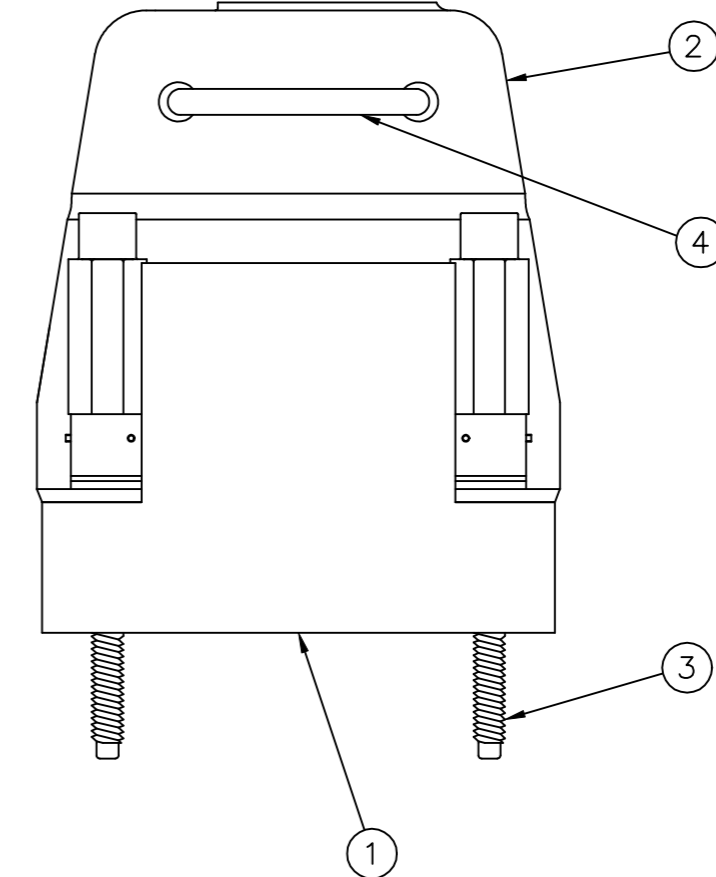
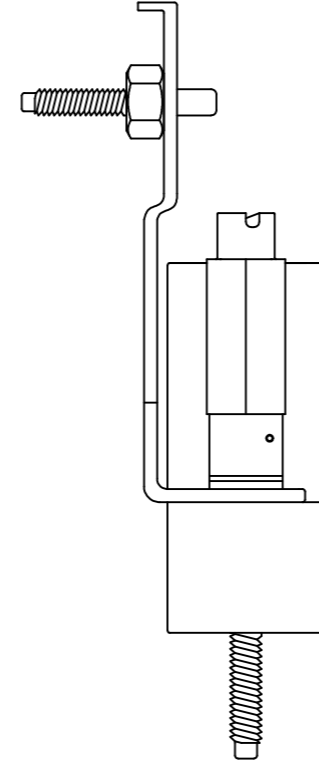
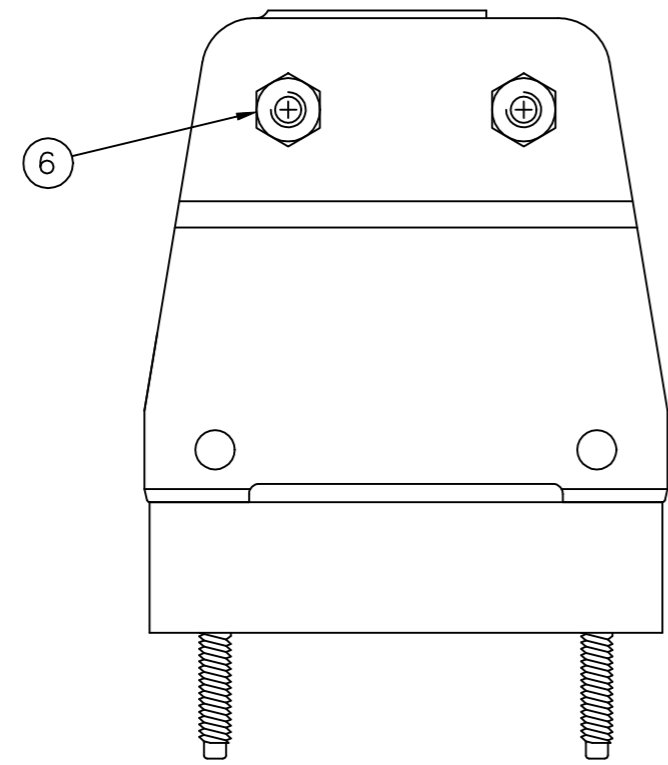


THIS DRAWING IS UNPUBLISHED. RELEASED FOR PUBLICATION  
 © COPYRIGHT - TE Connectivity Ltd. ALL RIGHTS RESERVED.

REVISIONS					
P	LTR	DESCRIPTION	DATE	DWN	APVD
C1		REVISED PER ECO-09-020932	07SEP09	KK	AEG
D		REVISED PER ECO-18-016339	22OCT2018	RS	MZ



- 1 ZINC PLATE.
- 2 OBSOLETE PARTS: OBSOLETE CIS STREAMLINING PER D.RENAUD/D.SINISI
- 3 PARTS SUPPLIED UNASSEMBLED.
- 4 PARTS SUPPLIED ASSEMBLED ACCORDING TO THE DRAWING VIEWS. PRELIMINARY PART.

QTY	QTY	QTY	DESCRIPTION	PART NUMBER	ITEM NO.	
4	2	2		1 NUT	5021068-4	6
-	-	-		1 NUT	21068-4	5
1	1	1		U-BOLT	201233-6	4
2	2	2		MALE JACKSCREW (SHORT-SHORT)	203535-2	3
1	1	1		BRACKET	200685-2	2
1	1	1		14 POSN. HOUSING	201355-1	1
-3	-2	-1				

THIS DRAWING IS A CONTROLLED DOCUMENT.

DIMENSIONS: mm	TOLERANCES UNLESS OTHERWISE SPECIFIED:	DWN E ZANOLINI 04SEP2001	 TE Connectivity
		CHK H. SAID 04SEP2001	
		APVD H. SAID 04SEP2001	NAME
			14 POS. M SERIES GROUNDING KIT
MATERIAL	FINISH	WEIGHT	SIZE CAGE CODE DRAWING NO RESTRICTED TO
			A2 00779 C-348523
CUSTOMER DRAWING		SCALE 1:1	SHEET 1 of 1 REV D