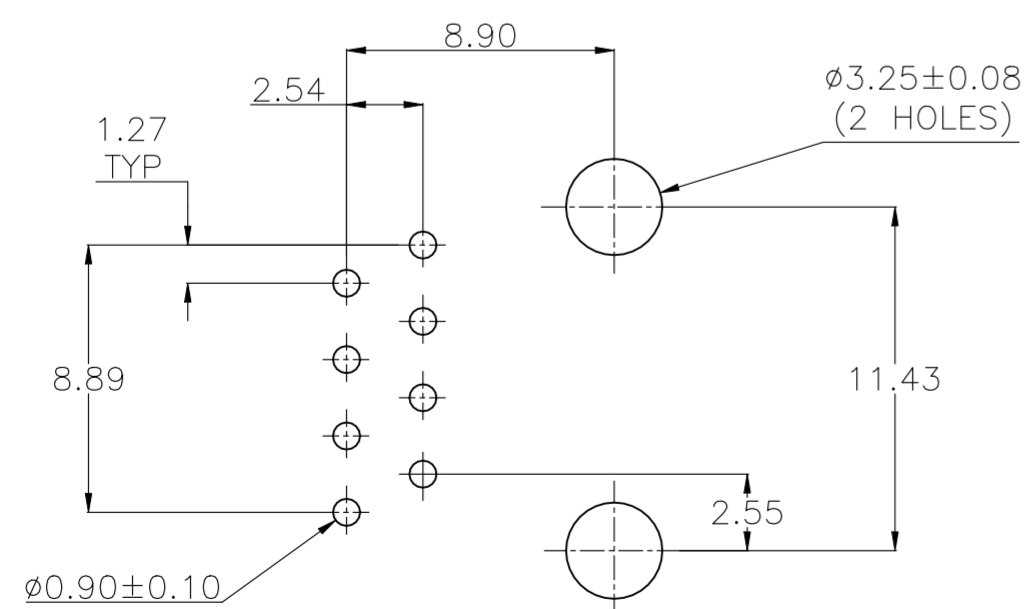
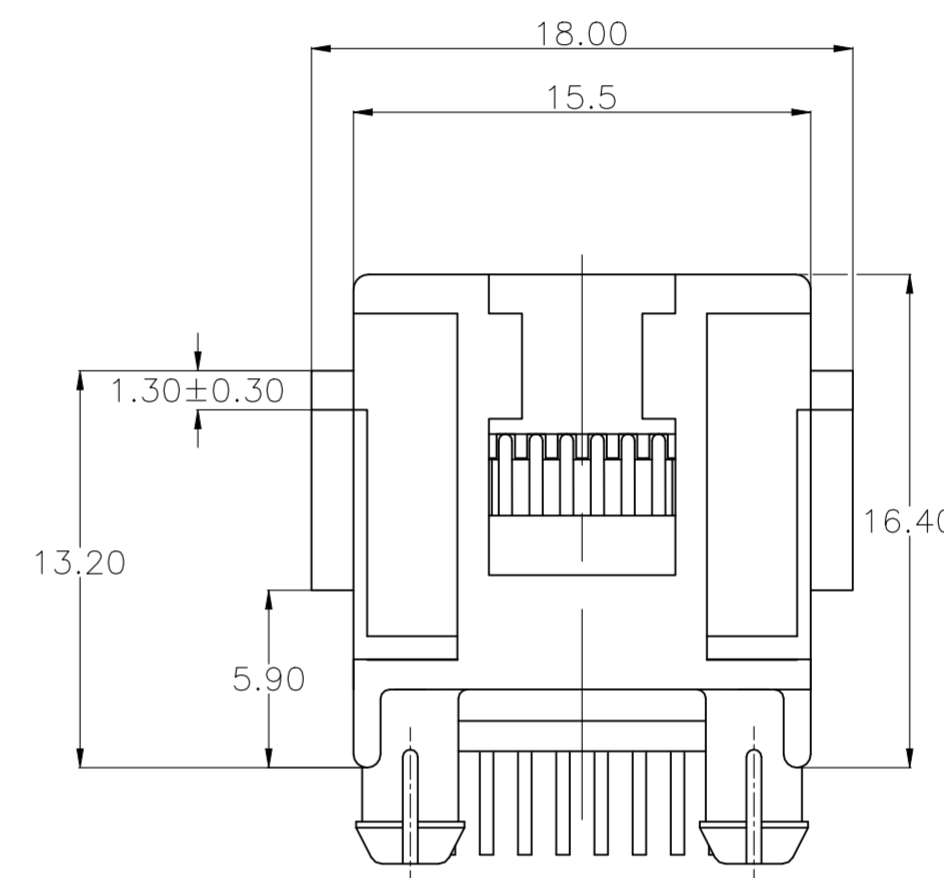
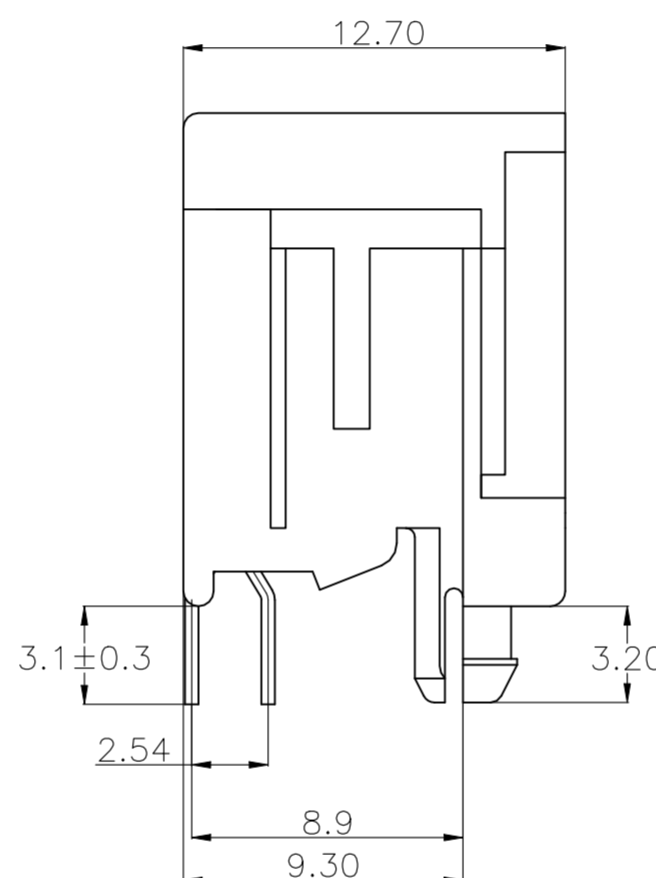
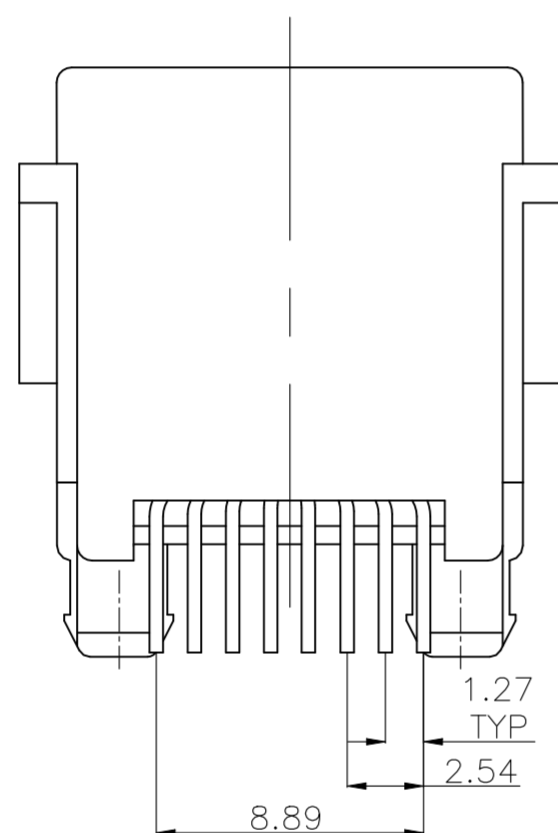
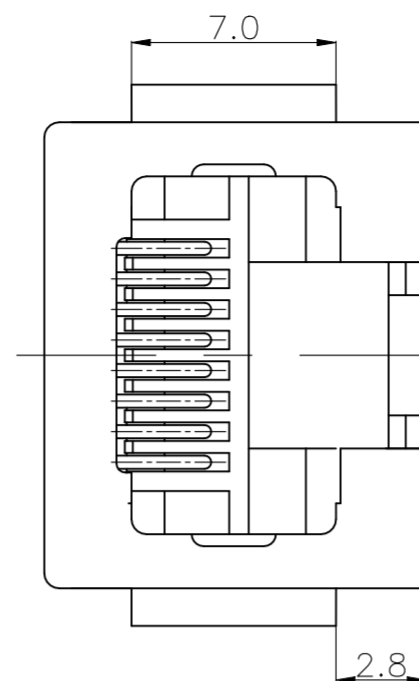


REVISIONS					
P	LTR	DESCRIPTION	DATE	DWN	APVD
M4		REVISED PER ECN-23-197266	13FEB2023	AB	SZ

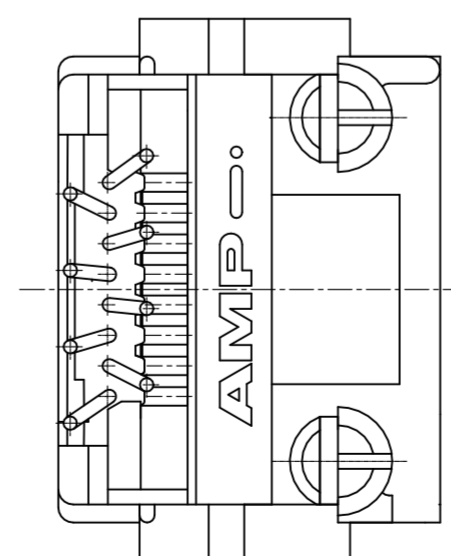
NOTES:

- 1. TOLERANCES UNLESS OTHERWISE SPECIFIED: ±0.15
- 2. FOR APPLICATION INFORMATION SEE AMP SPEC. 114-19019.
- 3. FOR PERFORMANCE REQUIREMENTS SEE AMP SPEC. 108-19064



PRINTED CIRCUIT BOARD LAYOUT

[VIEW SHOWN IS CIRCUIT (NONCOMPONENT) SIDE OF BOARD.]  
 TOLERANCES UNLESS OTHERWISE SPECIFIED: ±0.05  
 PRINTED CIRCUIT BOARD THICKNESS: 1.6 mm NOMINAL.

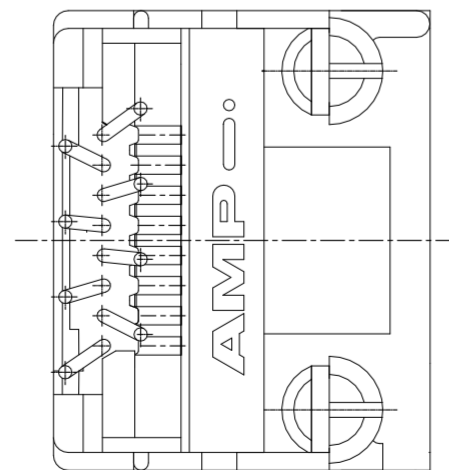
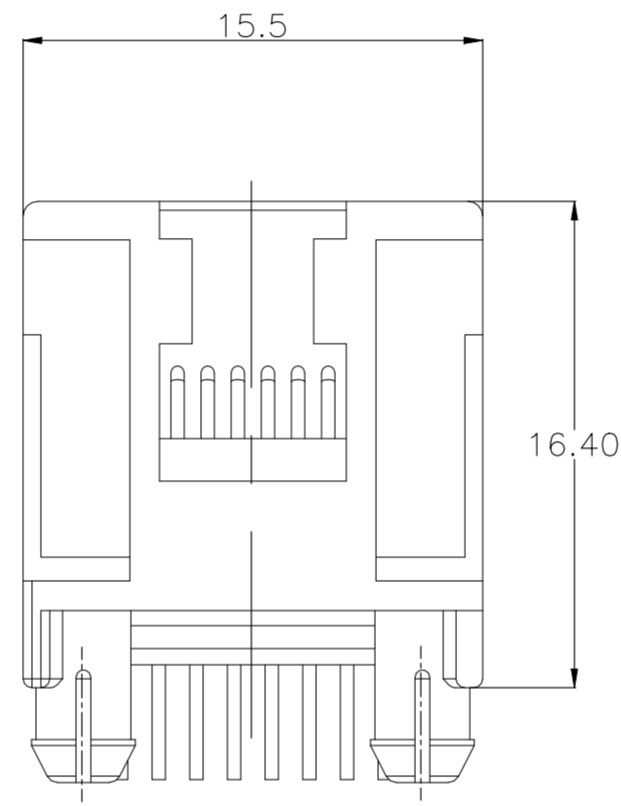
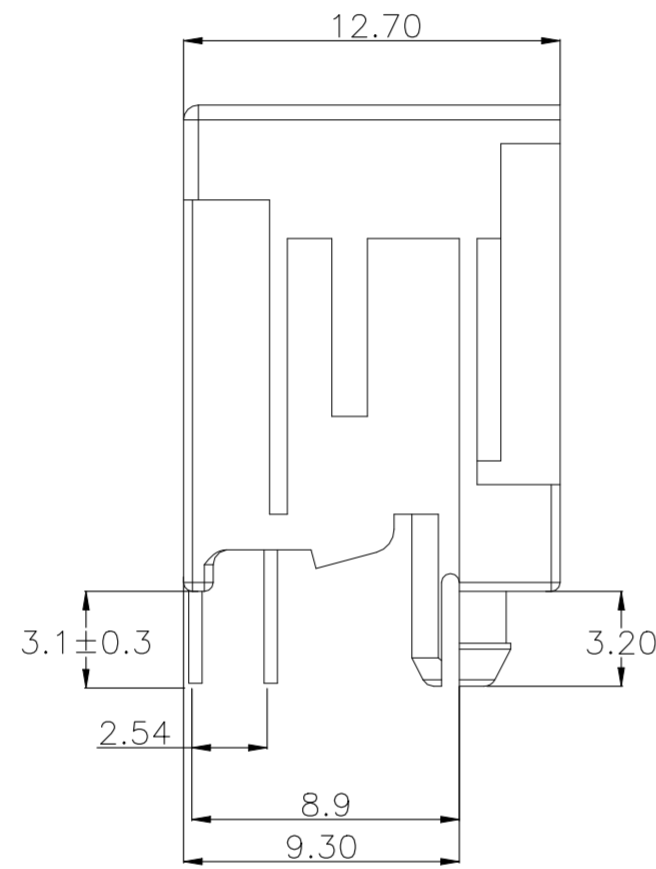
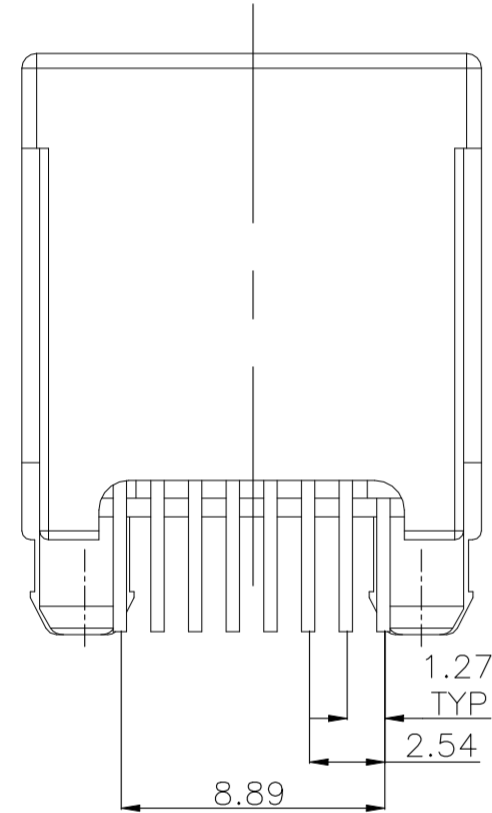
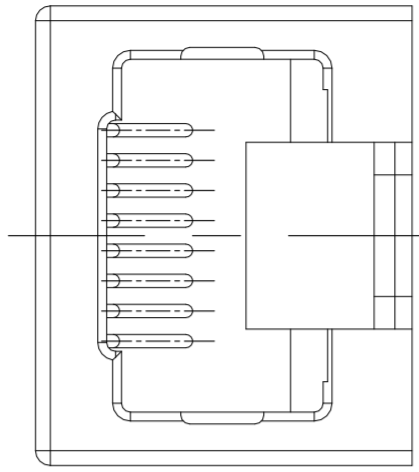


800 PCS. ON A 60cm. DIA. REEL	8 POSITIONS/ 8 CONTACTS.	IN CONTACT AREA: 1.2µm MIN. SEL. GOLD OVER 1.2µm MIN. NICKEL	HOUSING: PBT,UL 94V-0 COLOR: BLACK	216550-2
		SOLDER TINES: 2.0µm MIN. TIN OVER 1.2µm MIN. NICKEL	CONTACTS: PHOSPHOR BRONZE	
			HOUSING: PBT,UL 94V-HB COLOR: BLACK	216550-1
			CONTACTS: PHOSPHOR BRONZE	
PACKAGING	REMARKS	FINISH	MATERIAL	PART NUMBER

THIS DRAWING IS A CONTROLLED DOCUMENT.		DWN J.V.LIEMPT	22JAN92	<b>TE</b> TE Connectivity Ltd.	
DIMENSIONS: mm		CHK C.STERKEN	APVD L.V.SOEST		
TOLERANCES UNLESS OTHERWISE SPECIFIED:		PRODUCT SPEC		NAME	
0 PLC ± -		APPLICATION SPEC		MODULAR JACK, 8 POS. TOP ENTRY, SMALL SIZE WITH PANEL STOPS, FOR PCB	
1 PLC ± -		WEIGHT		SIZE	RESTRICTED TO
2 PLC ± -		SEE TABLE		CAGE CODE	
3 PLC ± -				DRAWING NO	
4 PLC ± -				SCALE	
ANGLES ± -				SHEET	
MATERIAL		CUSTOMER DRAWING		00779	
FINISH				216550	
				1 of 2	
				REV	M4

REVISIONS

P	LTR	DESCRIPTION	DATE	DWN	APVD
-	-	SEE SHEET 1	-	-	-



TRAY PACKAGING	REMARKS	FINISH	MATERIAL	PART NUMBER
				216550-7
			HOUSING: PBT,UL 94V-HB GREY-RAL 7035	216550-6
			CONTACTS: PHOSPHOR BRONZE	
			HOUSING: PBT,UL 94V-HB YELLOW Pantone 115U	216550-5
			CONTACTS: PHOSPHOR BRONZE	
			HOUSING: PBT,UL 94V-HB COLOR: BLACK	216550-4
			CONTACTS: PHOSPHOR BRONZE	
THE SAME AS 216550-1, BUT NO PANEL STOP				

THIS DRAWING IS A CONTROLLED DOCUMENT.		DWN J.v.LIEMPT 22JAN92	TE Connectivity Ltd.	
DIMENSIONS: mm		CHK C.STERKEN	NAME	
TOLERANCES UNLESS OTHERWISE SPECIFIED:		APVD L.V.SOEST	MODULAR JACK, 8 POS. TOP ENTRY, SMALL SIZE WITH PANEL STOPS, FOR PCB	
0 PLC ± -		PRODUCT SPEC	SIZE A2	CAGE CODE 00779
1 PLC ± -		APPLICATION SPEC	DRAWING NO C=216550	RESTRICTED TO
2 PLC ± -			SCALE	SHEET
3 PLC ± -			2	2
4 PLC ± -			REV	M4
ANGLES ± -				
MATERIAL SEE TABLE	FINISH SEE TABLE	WEIGHT -	CUSTOMER DRAWING	