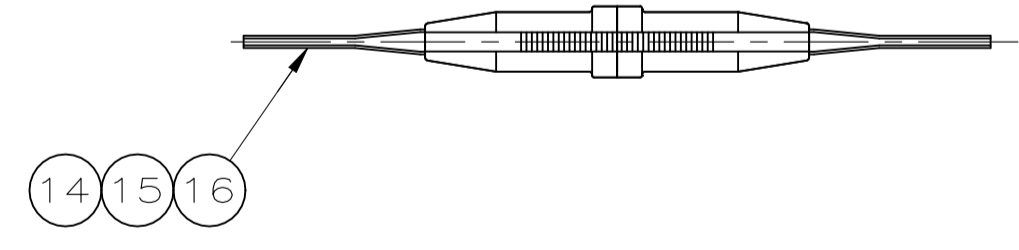
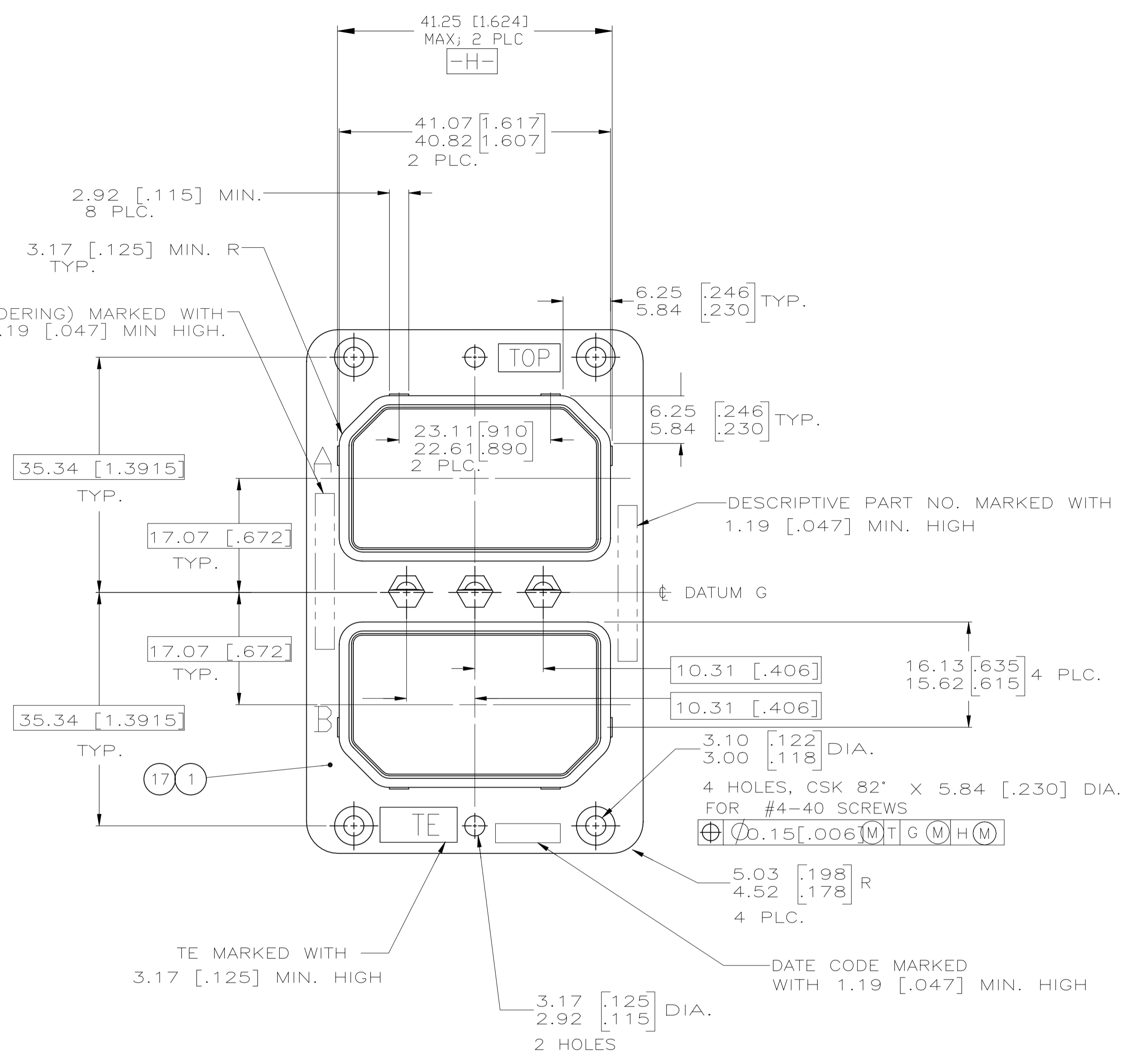
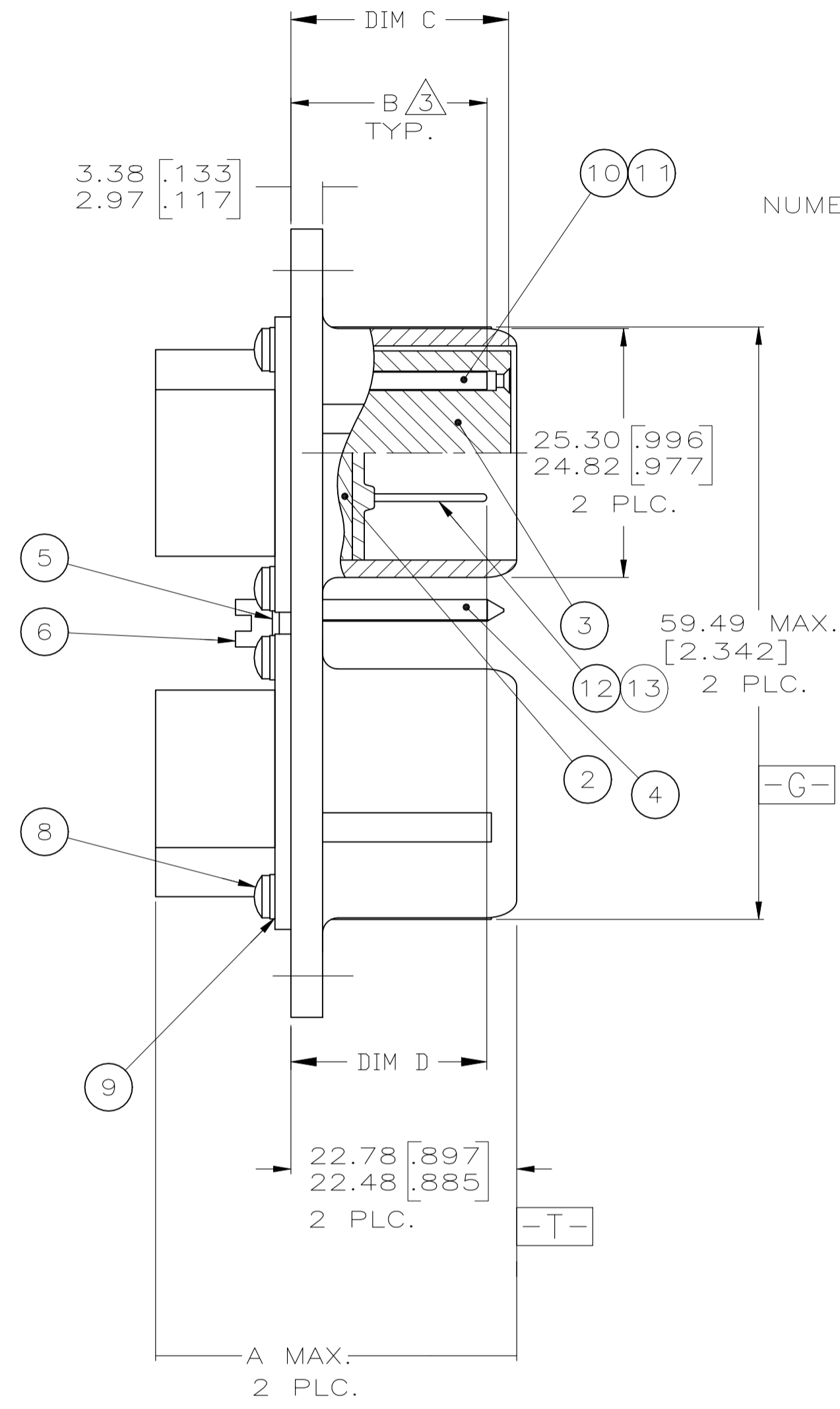
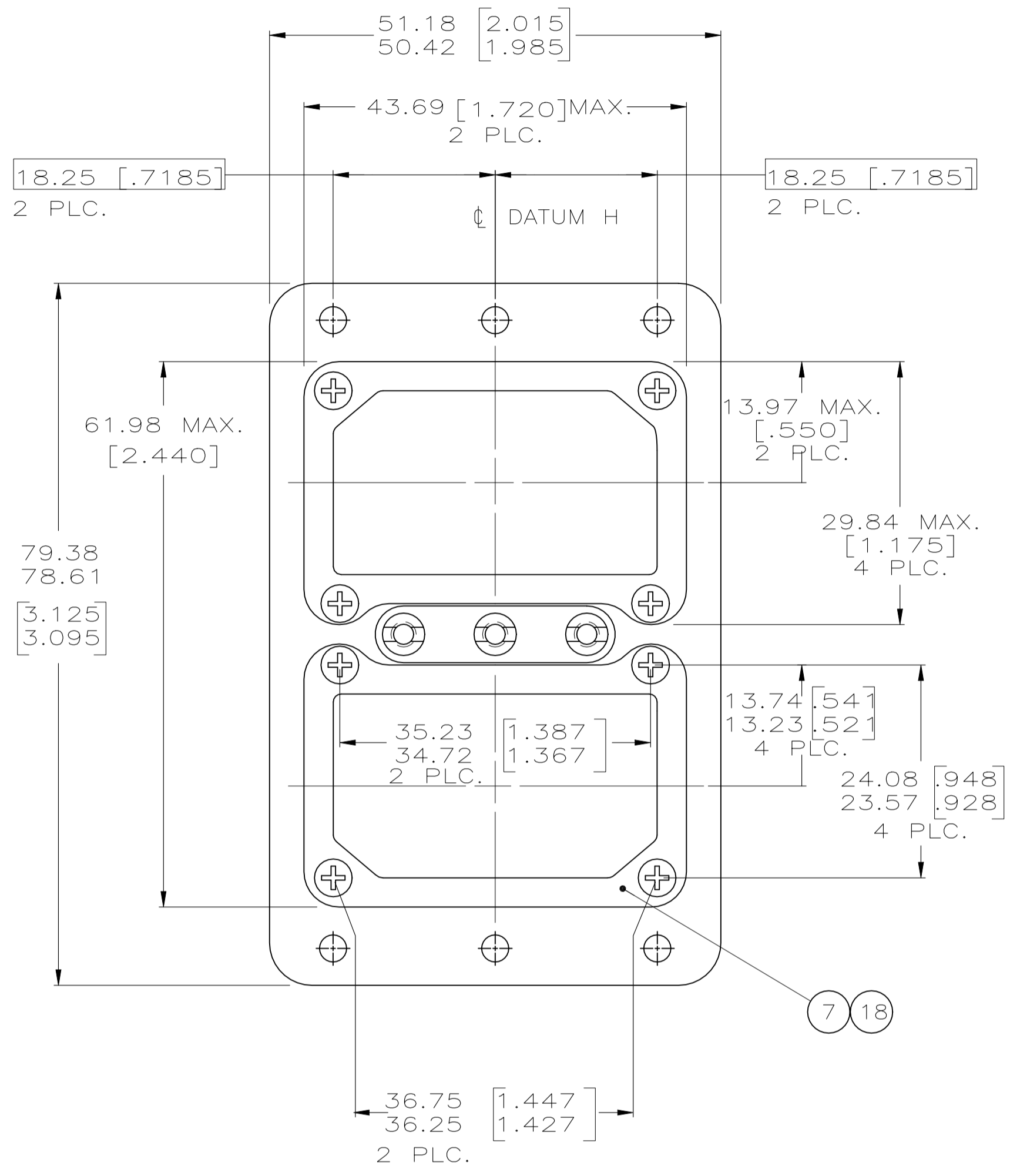




REVISIONS				
P	LTR	DESCRIPTION	DATE	APPROV
-	SEE SHEET 1			



THIS DRAWING IS A CONTROLLED DOCUMENT.		DIN MARK HOFFECKER 3-11-87		CHK LARRY LAYNER 3-11-87		APPROV LARRY LAYNER 3-11-87		NAME		PLUG CONNECTOR KIT, ARINC 404, DUAL INSERT, RM2P SERIES	
DIMENSIONS: INCHES		TOLERANCES UNLESS OTHERWISE SPECIFIED:		0 PLC ± .005		1 PLC ± .005		2 PLC ± .005		3 PLC ± .005	
MATERIAL SEE TABLE		FINISH SEE TABLE		WEIGHT 0		A1 00779		C=213437		RESTRICTED TO	
				CUSTOMER DRAWING		SCALE NTS		SHEET 2 OF 2		REV F	