

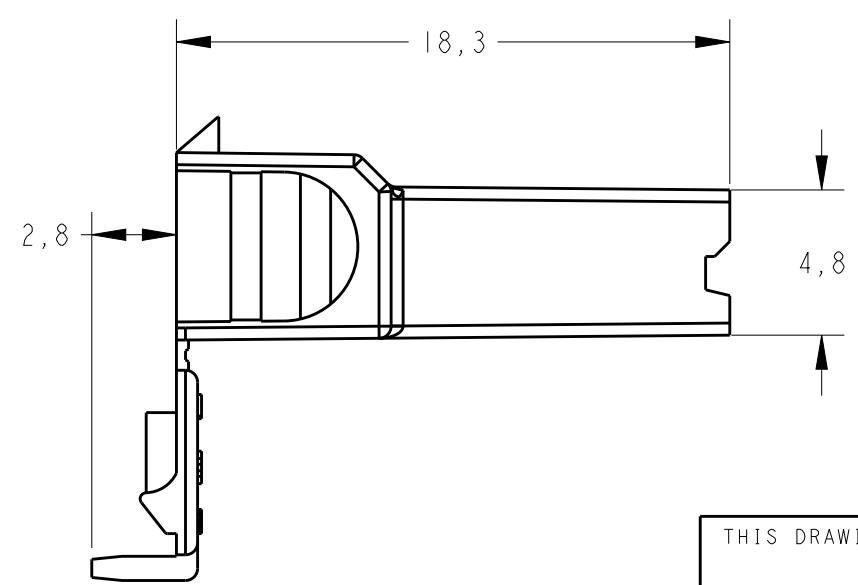
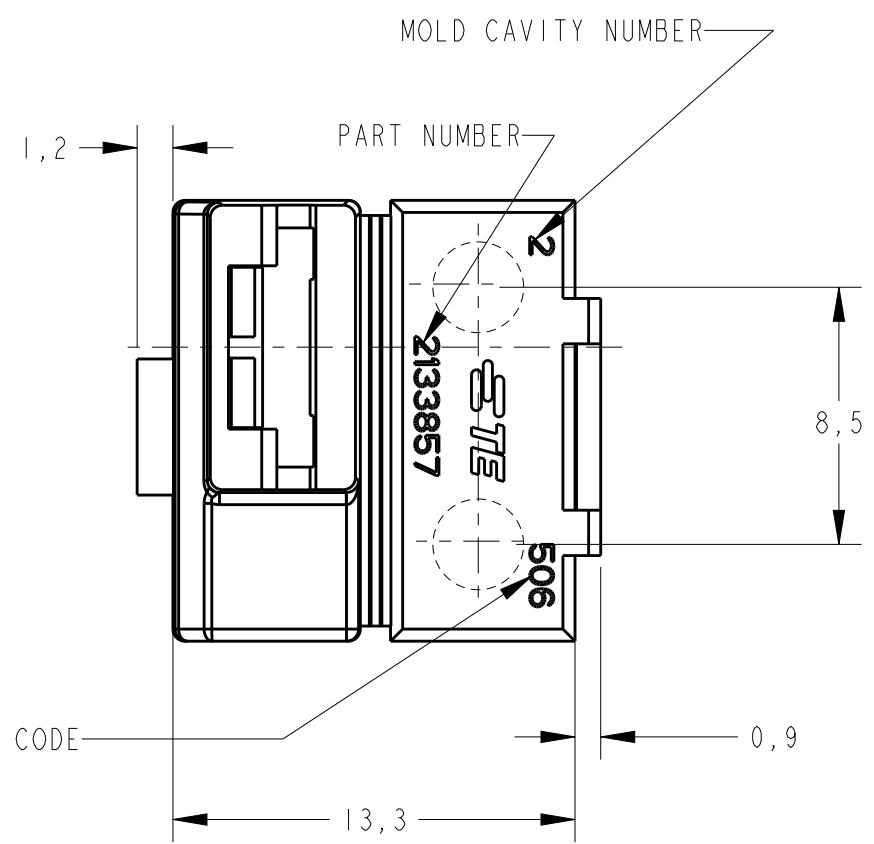
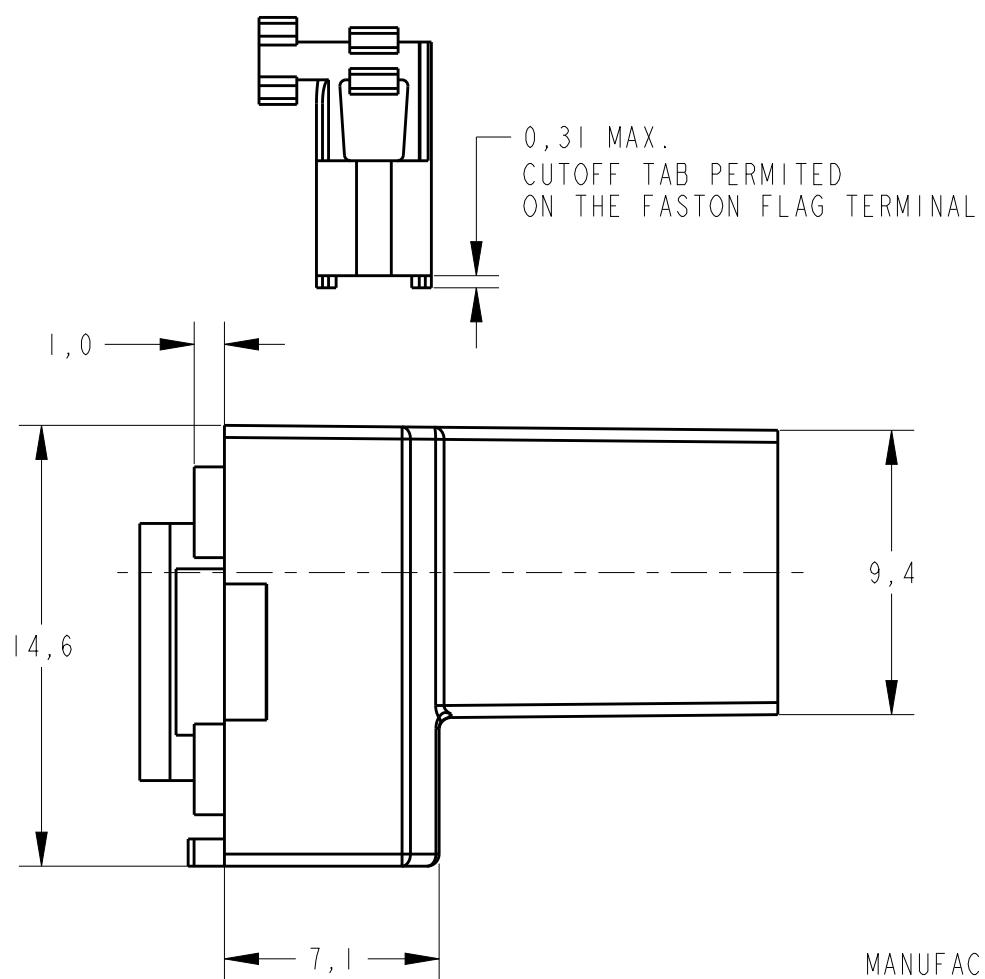
THIS DRAWING IS UNPUBLISHED.

RELEASED FOR PUBLICATION

© COPYRIGHT copyright_dBTe-TE CONNECTIVITY

ALL RIGHTS RESERVED.

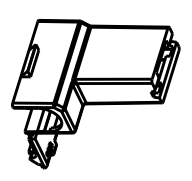
LOC	DIST	REVISIONS			
P	LTR	DESCRIPTION	DATE	DWN	APVD
-	-	D	REVISED BY ECO 16-011267	29JULY2016	HC WLS
		E	REV. BY ECO 16-018480	02JAN2017	HC WLS
		F	REVISED BY ECO 19-008404	24JUN2019	WLS WLS
		F1	REVISED PER ECO-19-015157	03OCT2019	WLS WLS



MANUFACTURING COUNTRY CODE

△-MATERIAL ACC. TO IEC 60335-1 850C WITHOUT FLAME

BLACK	PA 6+6.6 V-0	2133857-5
NATURAL	△ PA 6.6 V-0	2133857-4
BLACK	PA 6.6 V-2 THERMO STABILIZED	2133857-3
BLACK	PA 6.6 V-2	2133857-2
NATURAL	PA 6.6 V-2	2133857-1
COLOR	MATERIAL	PART NUMBER



SCALE 1:1

THIS DRAWING IS A CONTROLLED DOCUMENT.		DWN 23MAI2013 H.C.CANTER	TE Connectivity	
		CHK 23MAI2013 W.L.STEFANI		
DIMENSIONS: mm		TOLERANCES UNLESS OTHERWISE SPECIFIED:		NAME HSG. FLAG .250 SRS. FASTON REC.
		0 PLC ±- 1 PLC ±0,3 2 PLC ±0,2 3 PLC ±- 4 PLC ±- ANGLES ±-		
MATERIAL	-	FINISH	-	RESTRICTED TO
Customer Drawing		PRODUCT SPEC 108-37101	APPLICATION SPEC -	WEIGHT -
Customer Drawing		SIZE A3	CAGE CODE -	DRAWING NO C-2133857
Customer Drawing		SCALE 4/1	SHEET 1	OF 1
Customer Drawing		REV F1		