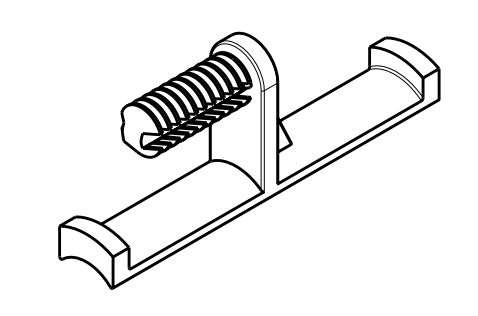
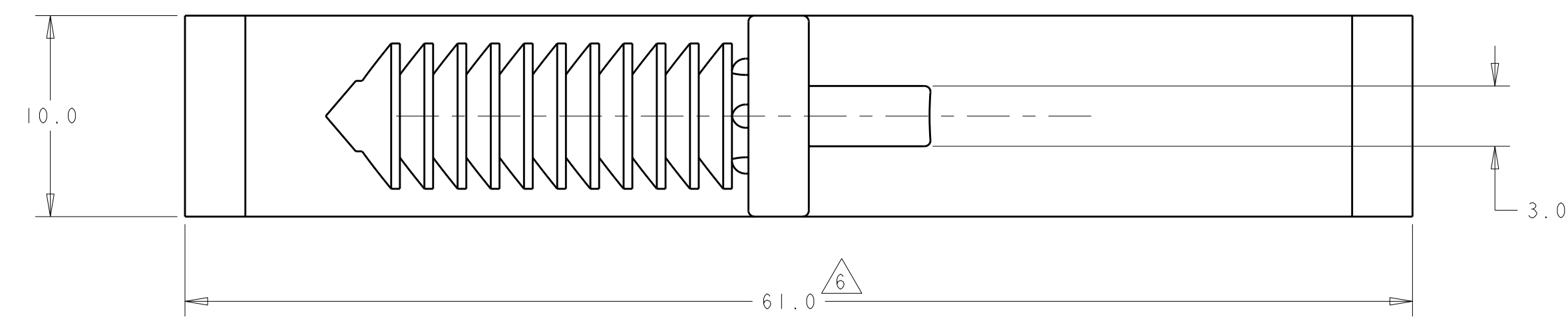
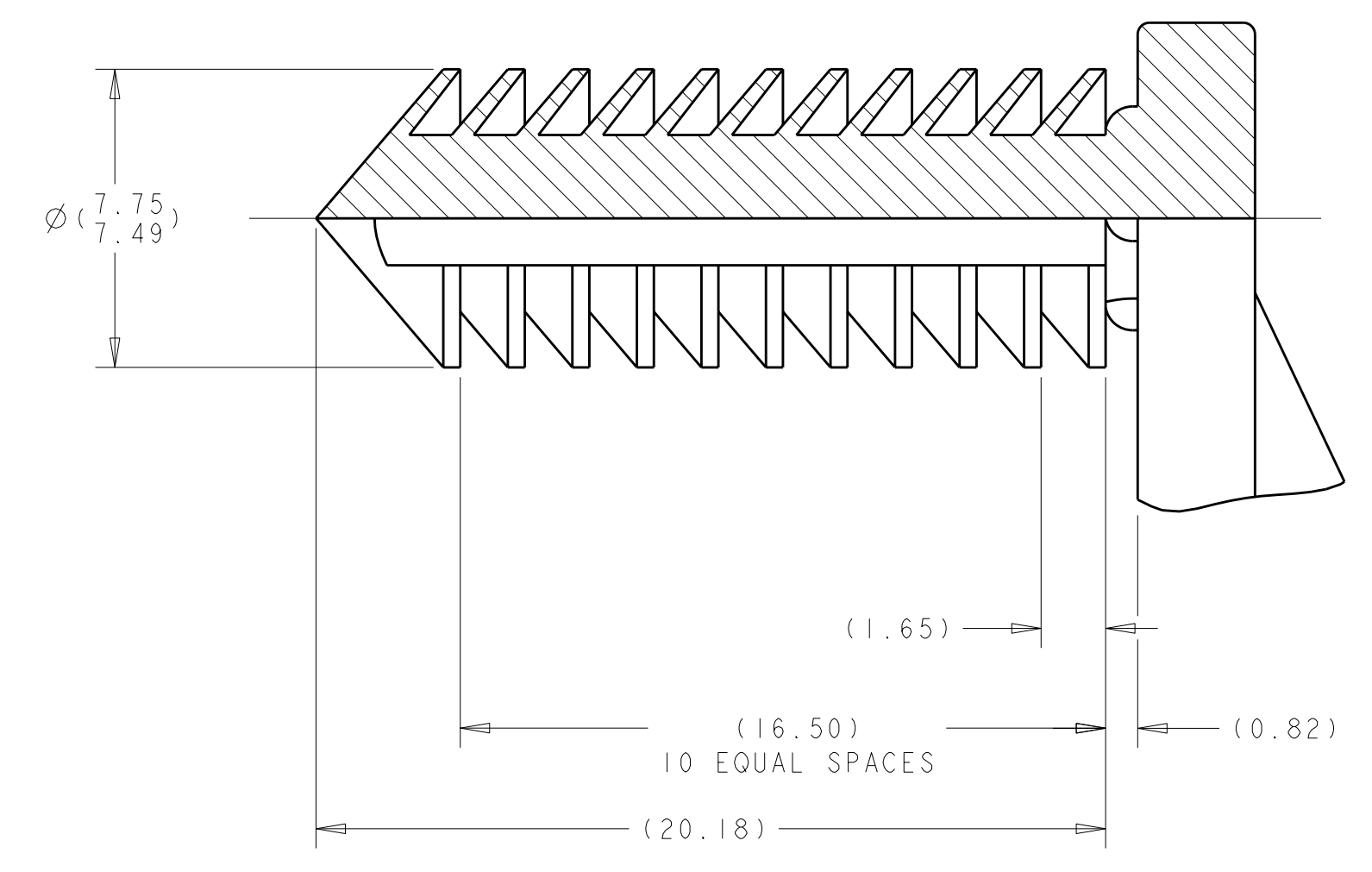
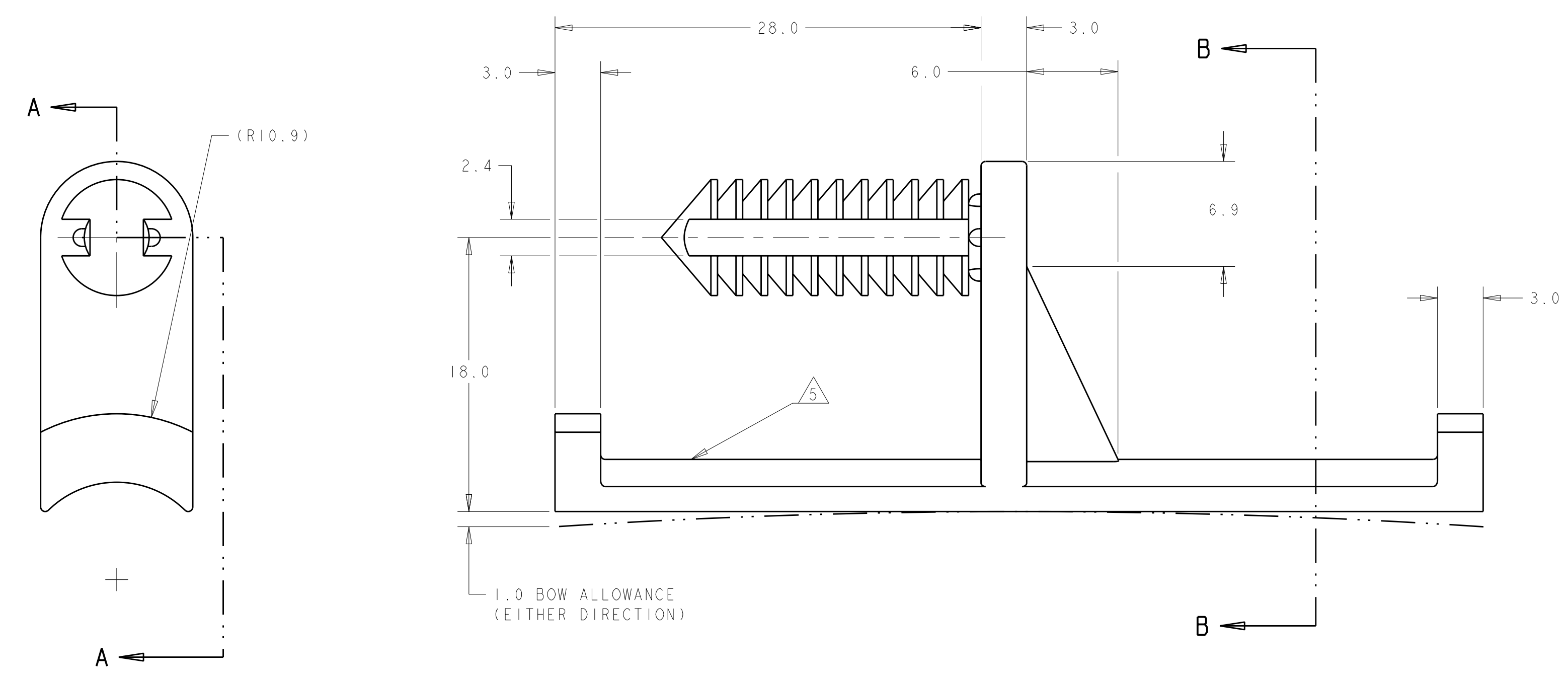


LOC	DIST	REVISIONS			
P	LTR	DESCRIPTION	DATE	DWN	APVD
FX	00	D	REVISED PER ECO-09-023080	30OCT2009	DLD DJZ



SCALE 1:1

1. MATERIAL: POLYAMIDE 6/6, COLOR AS SHOWN IN TABLE.
2. CLIP TO SNAP INTO 6.5mm DIA HOLE IN MATERIAL WITH THICKNESS OF 5.10-0.56mm.
3. 0.65mm MAX RADIUS PERMISSIBLE ON EDGES AND FILLETS SHOWN AS SHARP.
4. ALL RADII 0.8mm.
- 5 FORD PART CODE F57U-13A506-AA IS MOLDED ON PART IN AREA SHOWN FOR BOTH P/N 2-1437837-1 AND FOR P/N 6-1437839-9.
- 6 1.3 FLASH ALLOWANCE (EACH END).
7. ONE ISOLATED NON-METALLIC INCLUSION ON NATURAL COLOR PART IS PERMITTED IF NOT GREATER THAN 1.9 IN DIAMETER. INSPECT FRONT VIEW ONLY.



SECTION A-A
SCALE 6:1

BLACK	WSK-M4D706A	6-1437839-9
NATURAL	WSK-M4D706A	2-1437837-1
COLOR	FORD PART NO	PART NUMBER

<small>THIS DRAWING IS UNPUBLISHED. RELEASED FOR PUBLICATION 20 BY TYCO ELECTRONICS CORPORATION, ALL RIGHTS RESERVED.</small>		DWN R. VESTAL 21APR2004 CHK T. WOJCIACKI 21APR2004 APVD T. WOJCIACKI 21APR2004	Tyco Electronics Harrisburg, PA 17105-3608
DIMENSIONS: mm TOLERANCES UNLESS OTHERWISE SPECIFIED: 9 PLC ± 1 PLC ±0.3 2 PLC ±0.10 3 PLC ± 4 PLC ± ANGLES ±1° FINISH -		PRODUCT SPEC - APPLICATION SPEC - WEIGHT - CUSTOMER DRAWING	NAME RETAINER, REAR LAMP WIRING SIZE CAGE CODE DRAWING NO RESTRICTED TO A1 00779 C=2-1437837-1 - SCALE 4:1 SHEET 1 OF 1 REV D