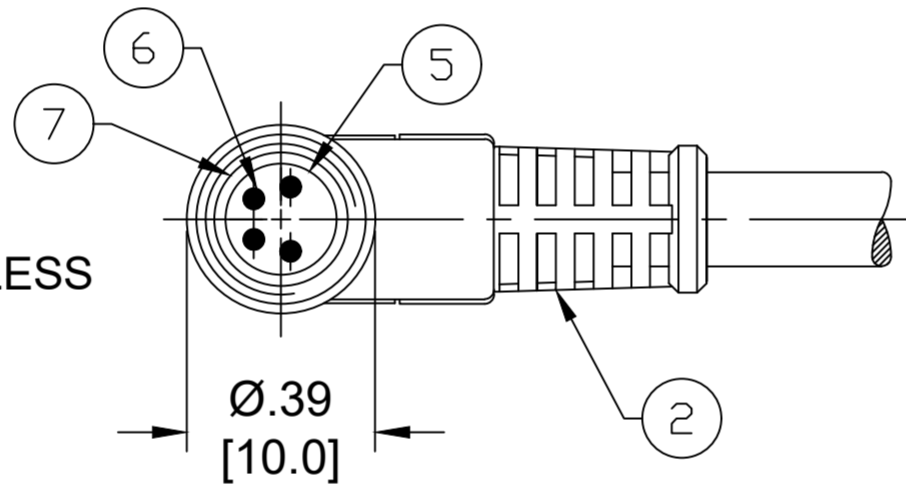
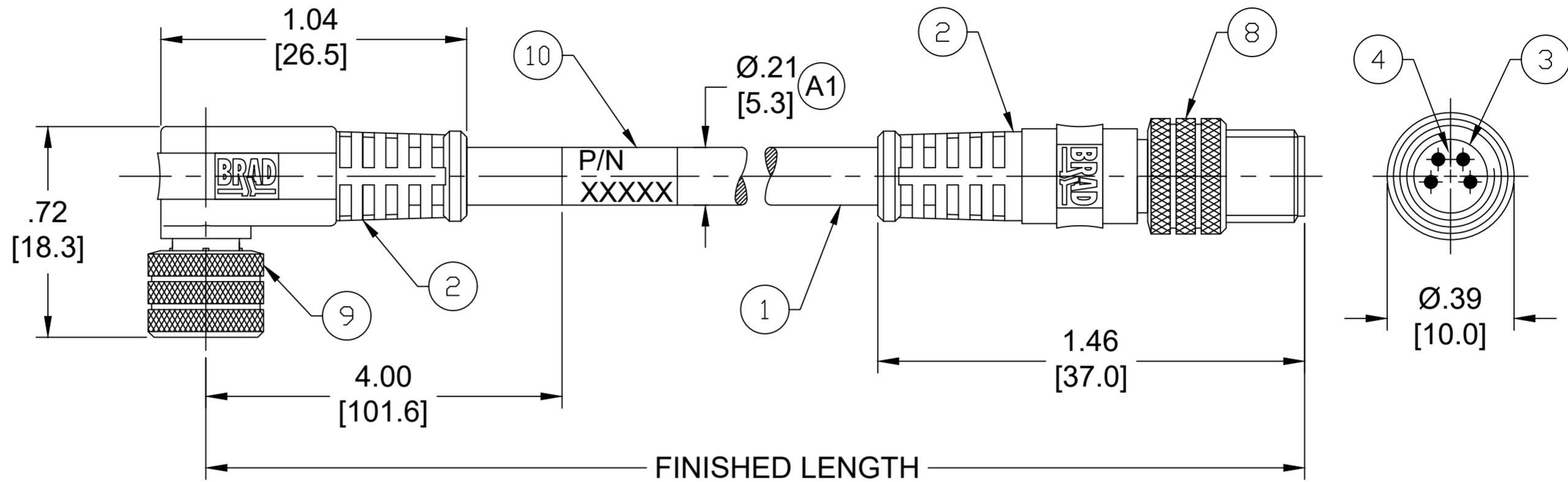
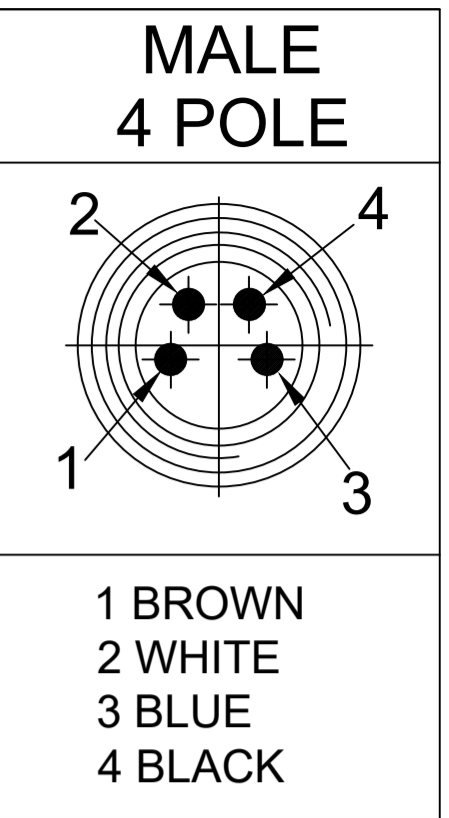


MATERIAL NUMBER	ENGINEERING NUMBER	FINISHED LENGTH
1200868549	444031K05M006	.6M [2 FT]
1200868550	444031K05M010	1M [3 FT 3 IN]
1200868551	444031K05M020	2M [6 FT 7 IN]
1200868552	444031K05M050	5M [16 FT 5 IN]



NOTES:

- MATERIAL: AS NOTED
- FINISH: AS NOTED
- ELECTRICAL:
VOLTAGE : 60VAC/75VDC
CURRENT: 4A
- TEMP RATING: -20° TO +105°C (A1)
- PROTECTION: IP67 (WHEN MATED)
- COUPLING THREAD: M8X1
- UL LISTED FILE: E152210
- ALL DIMENSIONS ARE FOR REFERENCE UNLESS TOLERANCED OR NOTED OTHERWISE

MECHANICAL CHARACTERISTICS: (A1)

TORSIONAL FLEX TEST	10 MILLION CYCLES PER MIL-C-13777G
BEND FLEX TEST	10 MILLION CYCLES PER MIL-C-13777G
WELD SLAG RESISTANCE	WOODHEAD STANDARD S-300

ITEM	COMPONENT	MATERIAL	FINISH
10	WRAP LABEL	VINYL	BLACK/YELLOW
9	FEMALE COUPLING NUT	BRASS	NICKEL PLATED
8	MALE COUPLING NUT	BRASS	NICKEL PLATED
7	O-RING	VITON	RED
6	CONTACT SOCKET	COPPER ALLOY	GOLD OVER NICKEL
5	FEMALE INSERT	PUR	BLACK
4	CONTACT PIN	COPPER ALLOY	GOLD OVER NICKEL
3	MALE INSERT	PUR	BLACK
2	OVERMOLD	TPC	YELLOW
1	CABLE, #22-4, ITC/PLTC	TPE	YELLOW

PART NUMBER LEGEND

444031K05M006

LENGTH
M001 = .6 METER
M010 = 1 METER
M100 = 10 METER

(A1) CABLE LENGTH TOLERANCES

<.3M [1FT]:	+19mm-0 [+.75in-0]
.3 - .9M [1 - 3FT]:	+44.5mm-0 [+1.75in-0]
.9 - 1.8M [3 - 6FT]:	+55.6mm-0 [+2.19in-0]
1.8 - 3.7M [6 - 12FT]:	+88.9mm-0 [+3.50in-0]
3.7 - 7.3M [12 - 24FT]:	+165.1mm-0 [+6.50in-0]
7.3-14.6M [24 - 48FT]:	+317.5mm-0 [+12.50in-0]
14.6 - 30.5M [48-100FT]:	+622.3mm-0 [+24.50in-0]
OVER 30M [100FT]:	+2% OF FINISHED LENGTH

FUNCTIONAL SYMBOLS	THIS DRAWING CONTAINS INFORMATION THAT IS PROPRIETARY TO MOLEX ELECTRONIC TECHNOLOGIES, LLC AND SHOULD NOT BE USED WITHOUT WRITTEN PERMISSION										
	DIMENSION UNITS		SCALE		CURRENT REV DESC: ITEM-10 WAS MYLAR. ADDED CABLE DIA & MECHANICAL CHARACTERISTICS CHART. MODIFIED TEMP RATING & PN CHART. REMOVED CSA						
INCH/MM		NTS		EC NO: 702709 DRWN: ABENJAMINLW 2021/10/26 CHK'D: RSTONE 2022/04/11 APPR: BWOODMAN 2022/04/16							
GENERAL TOLERANCES (UNLESS SPECIFIED)											
mm		INCH		INITIAL REVISION: DRWN: GGUSTAFS 2013/10/11 APPR: BWOODMAN 2013/11/12							
4 PLACES	±----	±----	±----								
3 PLACES	±----	±----	±----	DOCUMENT NUMBER: SD-120086-056 DOC TYPE/DOC PART: PSD 001 REVISION: A1							
2 PLACES	±----	±----	±----								
1 PLACE	±----	±----	±----	MATERIAL NUMBER: SEE CHART CUSTOMER: GENERAL MARKET SHEET NUMBER: 1 OF 1							
0 PLACES	±----	±----	±----								
ANGULAR TOL ± ---- °				THIRD ANGLE PROJECTION		DRAWING		SERIES		MATERIAL NUMBER	
DRAFT WHERE APPLICABLE MUST REMAIN WITHIN DIMENSIONS				C-SIZE		120086		SEE CHART		GENERAL MARKET	