

Over	Up to and including	Tolerance (*)
0	305	+19
305	915	+45
915	1830	+56
1830	3660	+89
3660	7320	+165
7320	14640	+317
14640	30500	+622
30500	>	+2% of length

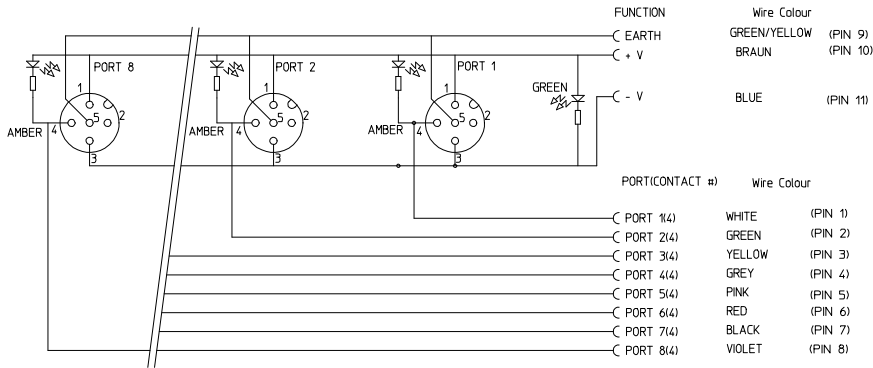
ITEM	QTY	DESCRIPTION	MATERIAL
1	1	HOUSING	PBT YELLOW
2	8	SHELL	NICKEL PLATED BRASS
3	2	PROTECTING CAB	PP
4	8	O-RING	VITRON
5	9	FIBER-OPTIC	GRILLAMID
6	1	PCB	-
7	32	CONTACT	GOLD PLATED BRASS
8	1	CABLE PLATE	PBT YELLOW
9	9	LABEL	ABS
10	-	POTTING MATERIAL	RESIN PU55FL
11	-	POTTING MATERIAL	RESIN HARDENER
12	-	SEE TABLE 1	-
13	1	OVERMOLDING	PVC YELLOW
14	1	COUPLING NUT	AL BLACK ANODISED
15	1	INSERT	PVC YELLOW
16	12	CONTACT	GOLD PLATED BRASS

ENTER DESCRIPTION EC NO: IPG2013-0140 DRW:ULETTENMEIER 2012/07/30 CHK:DZISMAYILOV 2012/07/30 APPR:CBURGER 2012/07/30	QUALITY SYMBOLS 	GENERAL TOLERANCES (UNLESS SPECIFIED)		DIMENSION STYLE MM ONLY	SCALE 1:1	DESIGN UNITS METRIC	THIRD ANGLE PROJECTION
		4 PLACES ± --- ± --- 3 PLACES ± --- ± --- 2 PLACES ± 0.1 ± --- 1 PLACE ± 0.2 ± ---	mm INCH	DRAWN BY DATE ULETTENMEIER 2011/10/05	TITLE MPIS M12 MC PNP NPN 4P 8PT 12P AC FE MA STR PUR PVC MA XM		
		ANGULAR ± 2 °		CHECKED BY DATE ZISMAYILOV 2011/12/14	MOLEX INCORPORATED		
		DRAFT WHERE APPLICABLE MUST REMAIN WITHIN DIMENSIONS		APPROVED BY DATE CBURGER 2011/12/20			
REV A2	SIZE A3	MATERIAL NO. SEE TABLE 1	DOCUMENT NO. SD-120005-014	SHEET NO. 1 OF 2			

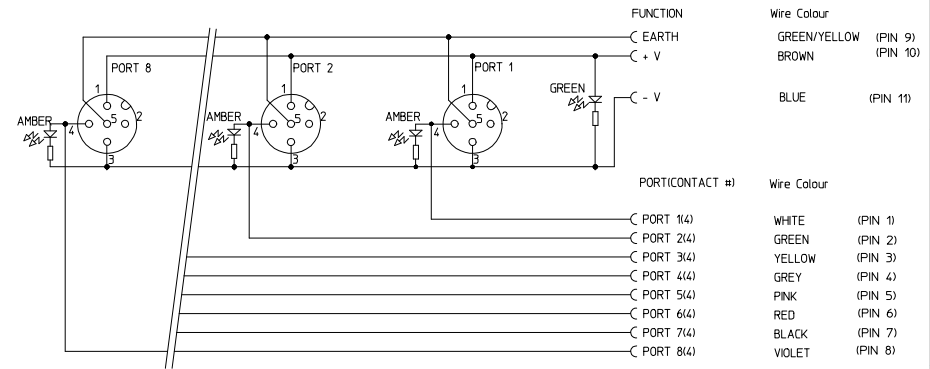
TABLE 1

MOLEX PN	ENG. NO.	DESCRIPTION	CABLE	L - length[M]
1200051035	BTY806N-FBP	MPIS M12 MC NPN 4P 8PT 12P AC FE STR PUR MA STR 0,3M	CABLE;PUR;BLACK (UL,CSA,IEC,EU)3 X0.75mm + 8 X0.34mm	0.3
1200051036	BTY806P-FBP	MPIS M12 MC PNP 4P 8PT 12P AC FE STR PUR MA STR 0,3M	CABLE;PUR;BLACK (UL,CSA,IEC,EU)3 X0.75mm + 8 X0.34mm	0.3

Wiring Diagram NPN

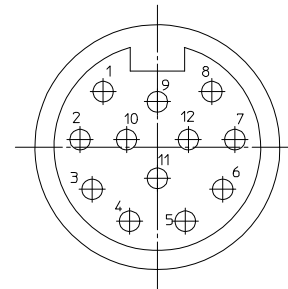


Wiring Diagram PNP



GENERAL CHARACTERISTICS:

NOMINAL VOLTAGE: 10-30 V DC
 RATED VOLTAGE: 32 V EFF.
 POLLUTION DEGREE: 3
 RATED CURRENT: 4 A PER PORT / 12 A MAX: TOTAL
 CONTACT RESISTANCE: ≤ 5 mOHM
 ISULATION RESISTANCE: > 10⁸ OHM
 IP DEGREE OF PROTECTION: IP 68 REFER TO TEST SUMMARY TS-120005-016



CONNECTOR FACE VIEW

TEMPERATURE RANGE: CABLE;PUR;BLACK (UL,CSA,IEC,EU)3 X0.75mm + 8 X0.34mm -5°C / +90°C

FLAMMABILITY: Insert: V0
 HOUSING: V0

PACKAGING: CABLE LENGTH OVER 5M: BAG, STRINGED; 450X500
 P/N: 908487016
 CABLE LENGTH UP TO 5M: BAG 200X300X 05
 P/N: 908486937

ENTER DESCRIPTION EC NO: IPG2013-0140 DRW:ULETTENMEIER 2012/07/30 CHKDZ:ISMAYILOV 2012/07/30 APPR:CBURGER 2012/07/30	QUALITY SYMBOLS ▽=0 ◻=0	GENERAL TOLERANCES (UNLESS SPECIFIED)	DIMENSION STYLE MM ONLY	SCALE 1:1	DESIGN UNITS METRIC	THIRD ANGLE PROJECTION
		mm INCH	DRAWN BY DATE ULETTENMEIER 2011/10/05	TITLE MPIS M12 MC PNP NPN 4P 8PT 12P AC FE MA STR PUR PVC MA XM		
		4 PLACES ± --- ± --- 3 PLACES ± --- ± --- 2 PLACES ± 0.1 ± --- 1 PLACE ± 0.2 ± ---	CHECKED BY DATE ZISMAYILOV 2011/12/14	APPROVED BY DATE CBURGER 2011/12/20		
		ANGULAR ± 2 °	MATERIAL NO. SEE TABLE 1	DOCUMENT NO. SD-120005-014		
	DRAFT WHERE APPLICABLE MUST REMAIN WITHIN DIMENSIONS	SIZE A3	THIS DRAWING CONTAINS INFORMATION THAT IS PROPRIETARY TO MOLEX INCORPORATED AND SHOULD NOT BE USED WITHOUT WRITTEN PERMISSION			
A2	REV					SHEET NO. 2 OF 2