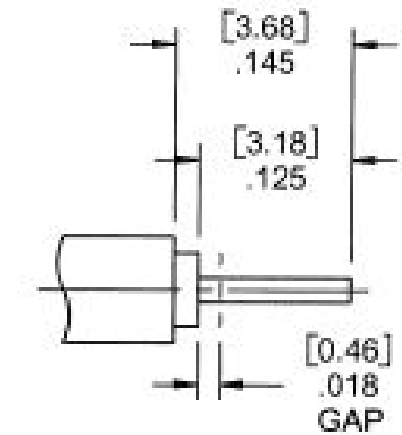
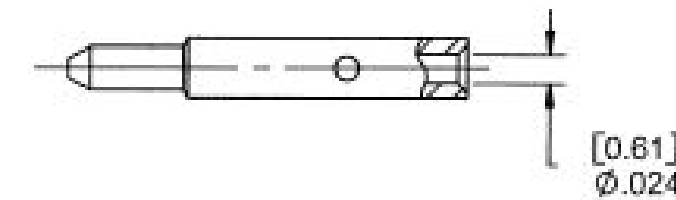
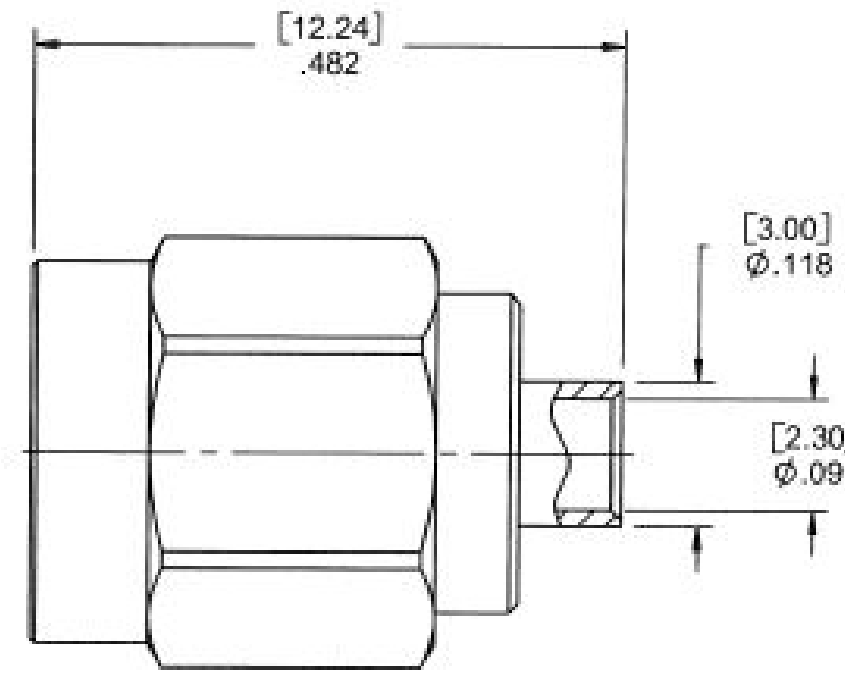
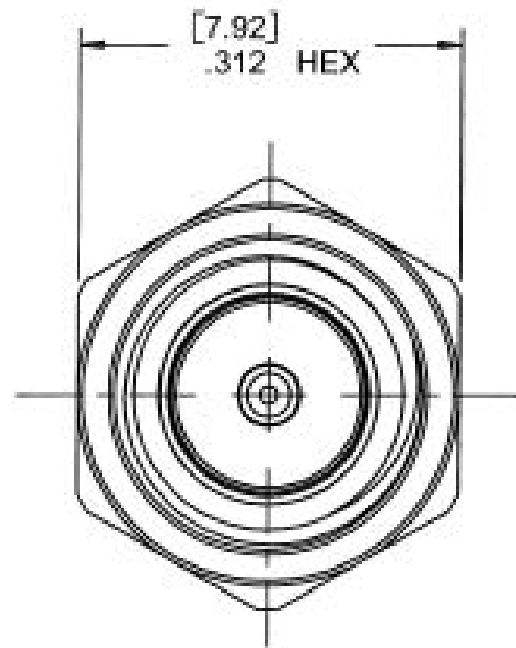
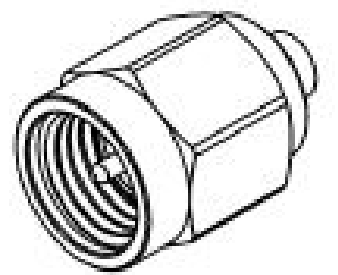


NOTES:
 1. MATERIALS:
 RETAINING RING: BERYLLIUM COPPER
 ALL OTHER METAL PARTS: BRASS
 INSULATOR: TEFLON
 GASKET: SILICONE RUBBER
 2. FINISH:
 BODY, CONTACT & COUPLING NUT: GOLD OVER NICKEL
 3. ELECTRICAL:
 IMPEDANCE: 50 OHMS
 FREQUENCY RANGE: 0 - 18 GHz
 4. APPLICATION DATA:
 -FOR USE WITH Ø.086 SEMI-RIGID CABLE OR EQUIVALENT



RECOMMENDED CABLE TRIM

MOLEX P/N: 73391-6160
 FCT P/N: A24P1NA-103-10G

QUALITY SYMBOLS $\nabla = 0$ $\nabla = 0$ $\nabla = 0$	GENERAL TOLERANCES (UNLESS SPECIFIED)		DIMENSION STYLE	SCALE	DESIGN UNITS	THIRD ANGLE PROJECTION
	4 PLACES	± .005	INCHES [mm]	8:1	INCH	
	3 PLACES	± .0127				
	2 PLACES	± .025				
	ANGULAR ± 2°		DRAWN BY: JED DATE: 08/20/08		TITLE: SMA STRAIGHT PLUG	
	DRAFT WHERE APPLICABLE MUST REMAIN WITHIN DIMENSIONS		CHECKED BY: SD DATE: 08/27/08		APPROVED BY: SP DATE: 08/28/08	
			MATERIAL NO. 73391-6160		DOCUMENT NO. SD-73391-616	
			SIZE C		THIS DRAWING CONTAINS INFORMATION THAT IS PROPRIETARY TO MOLEX INCORPORATED AND SHOULD NOT BE USED WITHOUT WRITTEN PERMISSION	

897685560	UN-INCLUDE	A24P1NA-103-10G
733916160	INCLUDE	A24P1NA-103-10G
PART NO.	PACKAGING	FCT PART NO.

FUNCTIONAL SYMBOLS	THIS DRAWING CONTAINS INFORMATION THAT IS PROPRIETARY TO MOLEX ELECTRONIC TECHNOLOGIES, LLC AND SHOULD NOT BE USED WITHOUT WRITTEN PERMISSION		CURRENT REV DESC:			
$\nabla = 0$ $\nabla = 0$ $\nabla = 0$	DIMENSION UNITS	SCALE				
	mm	1:1				
	GENERAL TOLERANCES (UNLESS SPECIFIED)					
	ANGULAR TOL ± °					
	4 PLACES ±					
	3 PLACES ±		EC NO: 646024			
	2 PLACES ±		DRWN: MYLU07 2020/09/09			
	1 PLACE ±		CHK'D: YHUANG11 2020/09/25			
	0 PLACES ±		APPR: LCHEN03 2020/09/25			
	DRAFT WHERE APPLICABLE MUST REMAIN WITHIN DIMENSIONS		INITIAL REVISION:			
			DRWN: JED 2008/08/20			
			APPR: SP 2008/08/28			
			THIRD ANGLE PROJECTION			
			DRAWING SERIES			
			C-SIZE 73391			
			MATERIAL NUMBER			
			CUSTOMER			
			FCT_US CUSTOMER			
			SHEET NUMBER			
			1 OF 1			