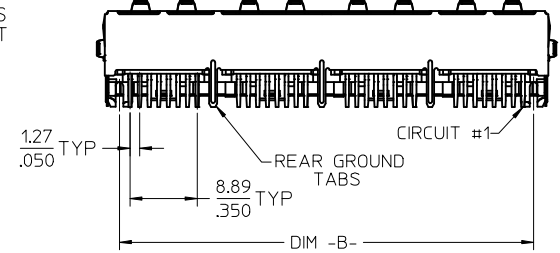
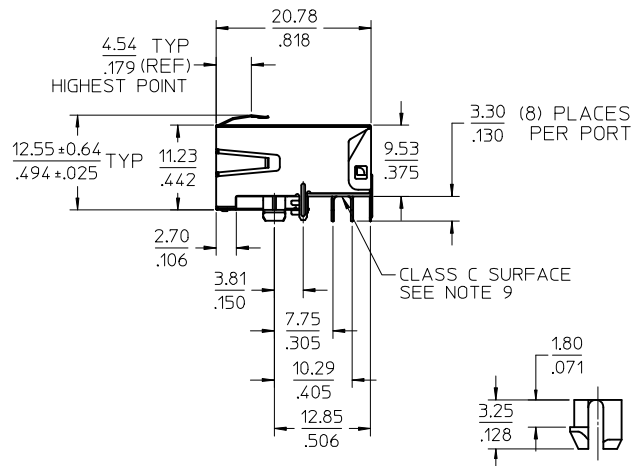
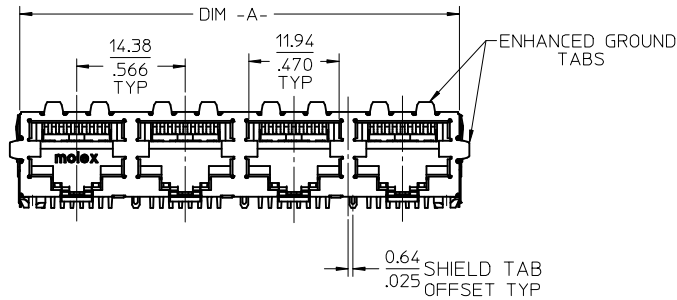


SHIELDING OPTION -A-  
STANDARD SHIELD  
(SEE CHART)

SHIELDING OPTION -B-  
ENHANCED GROUND TABS  
(SEE CHART)



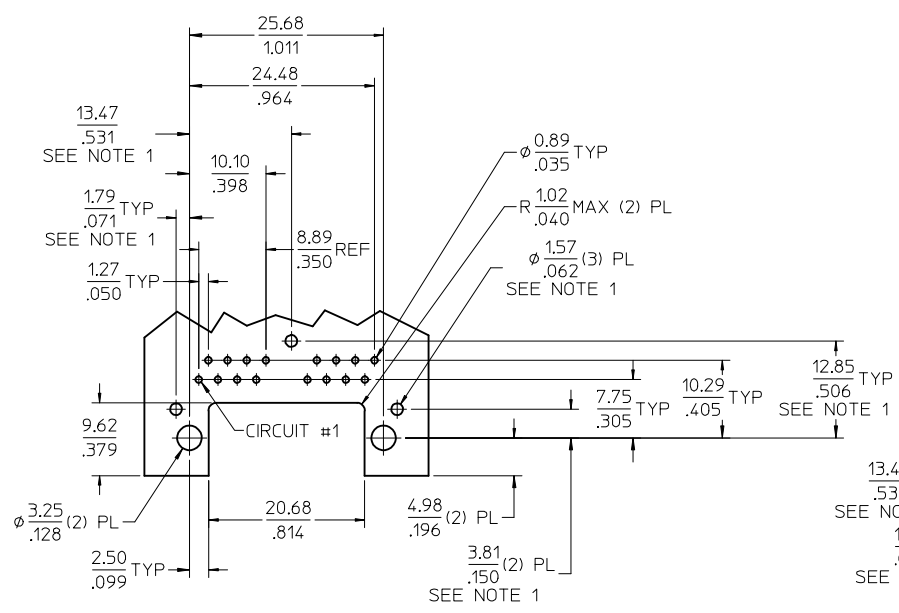
- NOTES:  
1) MATERIAL:  
HOUSING: NYLON(IPA), GLASS FILLED, UL94V-0, COLOR: BLACK  
TERMINALS: PHOSPHOR BRONZE  
SHIELD: BRASS, .007/(0.18) THICK  
2) FINISH:  
TERMINALS:  
SELECT GOLD IN CONTACT AREA: 50 MICROINCHES (1.27 MICROMETERS) MIN.,  
SELECT MATTE TIN IN PC TAIL AREA: 100 MICROINCHES (2.54 MICROMETERS) MIN.,  
WITH OVERALL NICKEL UNDERPLATE: 50 MICROINCHES (1.27 MICROMETERS) MIN.  
SHIELD:  
100 MICROINCHES (2.54 MICROMETERS) NICKEL OVER 50 MICROINCHES  
(1.27 MICROMETERS) COPPER UNDERPLATE; PCB GROUND TABS DIPPED IN TIN.  
3) PRODUCT SPECIFICATION: PS-44560-003.  
4) PACKAGING SPECIFICATION:  
2 PORT: CONNECTOR PACKAGED IN TRAYS PER MOLEX PACKAGING SPECIFICATION  
PK-44560-004  
4 PORT: CONNECTOR PACKAGED IN TRAYS PER MOLEX PACKAGING SPECIFICATION  
PK-44560-005  
5) CONFORMS TO FCC REGULATION PART 68.5 FOR MODULAR JACKS.  
6) ENHANCED GROUND TABS SHIELD (OPTION -B-) IS SHOWN IN THIS  
DRAWING. (SEE CHART)  
7) SEE SHEET (2) OF (2) FOR RECOMMENDED PANEL OPENING AND PCB LAYOUT.  
8) CAT 5e PERFORMANCE IS NOT SPECIFIED FOR THIS MODULAR JACK BECAUSE  
OF THE EVEN TERMINAL TAILS.  
9) THIS PART CONFORMS TO CLASS B REQUIREMENTS OF COSMETIC  
SPECIFICATION PS-45499-002 WITH THE EXCEPTION OF THE SURFACE  
INDICATED, WHICH IS A CLASS C SURFACE.  
10) THIS PRODUCT IS COMPLIANT TO RoHS DIRECTIVE 2002/95/EC AND ELV ANNEX  
II OF DIRECTIVE 2000/53/EC.



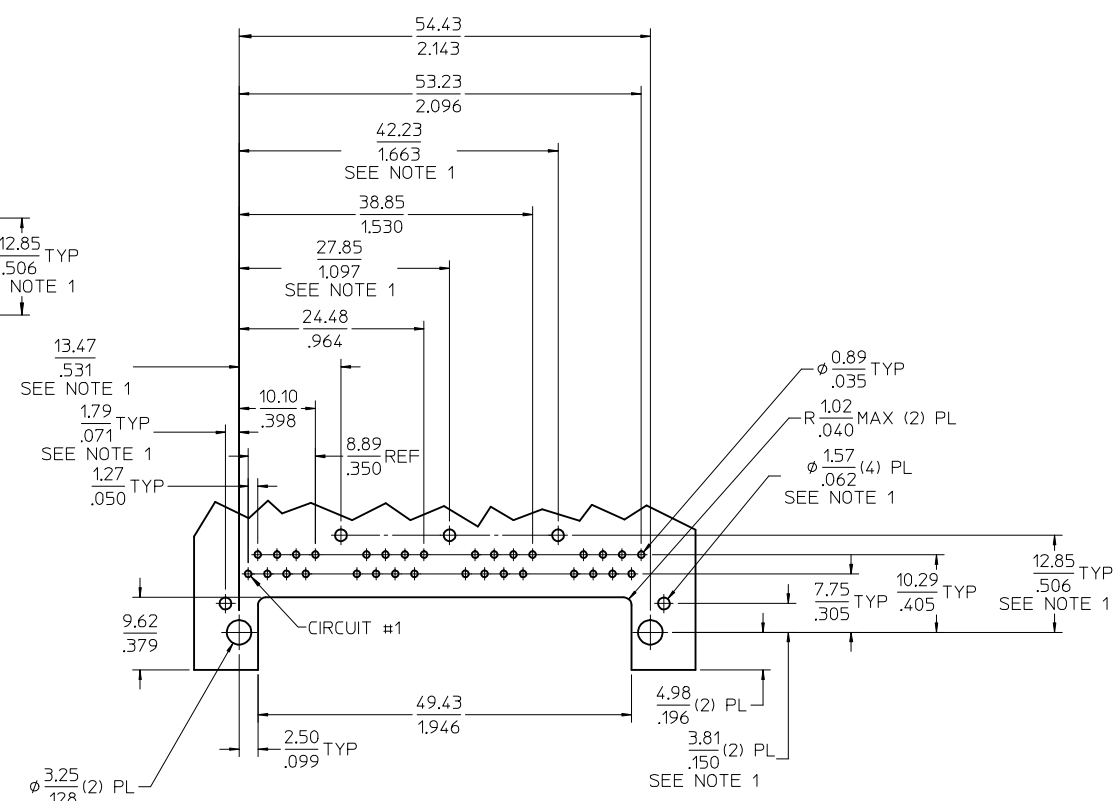
PEG DETAIL  
SCALE 4:1

ASSEMBLY MATERIAL NUMBER	SHIELDING OPTION	NUMBER OF REAR GROUND TABS	NUMBER OF PORTS	DIM -A-	DIM -B-
445600112	B	1	2	29.44/1.159	25.68/1.011

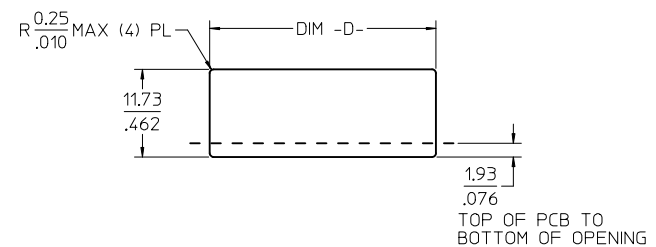
CREATE DWG EC NO: UCP2013-0627 DRW: NGUYEN CHKD: JELL APPR: FSMITH 2012/08/14 2012/08/14 2012/08/27	DESCRIPTION REV A	QUALITY SYMBOLS ∇=0 ∇=0 ∇=0	GENERAL TOLERANCES (UNLESS SPECIFIED) mm INCH 4 PLACES ± --- ± --- 3 PLACES ± --- ± .012 2 PLACES ± 0.30 ± --- 1 PLACE ± --- ± --- 0 PLACE ± ± ANGULAR ±1/2° DRAFT WHERE APPLICABLE MUST REMAIN WITHIN DIMENSIONS	DIMENSION STYLE MM/IN DRAWN BY DATE NGUYEN 2012/08/14 CHECKED BY DATE JBELL 2012/08/14 APPROVED BY DATE FSMITH 2012/08/27	SCALE 2:1 DESIGN UNITS INCH THIRD ANGLE PROJECTION	COMPACT GANGED MODJACK EVEN TAILS <b>molex</b> DOCUMENT NO. RSD-44560-001 SHEET NO. 1 OF 2
		MATERIAL NO. SEE CHART			THIS DRAWING CONTAINS INFORMATION THAT IS PROPRIETARY TO MOLEX INCORPORATED AND SHOULD NOT BE USED WITHOUT WRITTEN PERMISSION	



2 PORT ASSEMBLY  
PCB LAYOUT : COMPONENT SIDE  
RECOMMENDED PCB THICKNESS: 1.57/.062  
TOLERANCE ±.076/.003 UNLESS OTHERWISE SPECIFIED

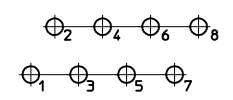


4 PORT ASSEMBLY  
PCB LAYOUT : COMPONENT SIDE  
RECOMMENDED PCB THICKNESS: 1.57/.062  
TOLERANCE ±.076/.003 UNLESS OTHERWISE SPECIFIED



NUMBER OF PORTS	DIM -D-
2	30.20/1.189
4	58.95/2.321

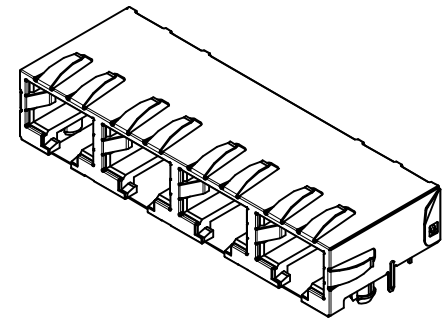
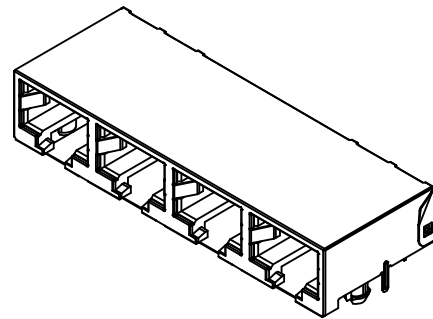
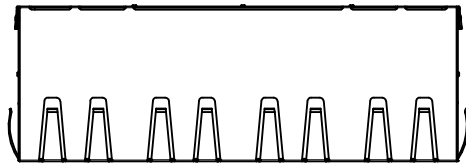
RECOMMENDED  
PANEL OPENING  
SHIELDING OPTIONS  
A AND B



TYPICAL PC TERMINAL HOLE LAYOUT  
SCALE 5:1

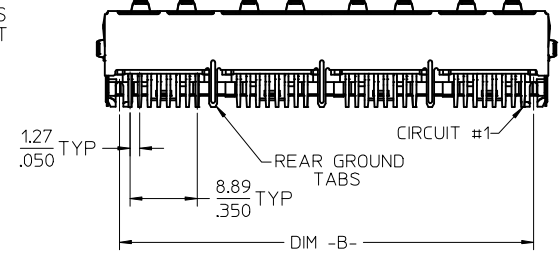
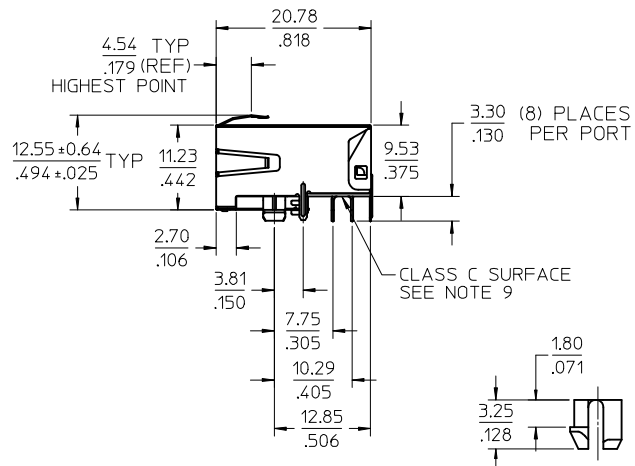
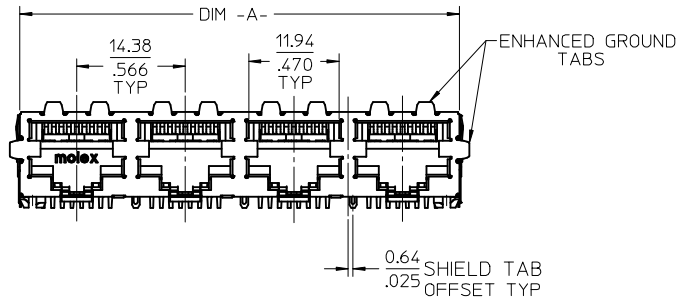
NOTES:  
1. DIMENSIONS REFER TO ASSEMBLIES WITH SHIELDING OPTION

SEE SHEET 1 EC NO: UCP2013-0627 DRW: NNGUYEN CHKD: JBELL APPR: FSMITH	DESCRIPTION 2012/08/14 2012/08/14 2012/08/27	QUALITY SYMBOLS	GENERAL TOLERANCES (UNLESS SPECIFIED)	DIMENSION STYLE	SCALE	DESIGN UNITS	THIRD ANGLE PROJECTION
		▽=0	mm INCH	MM/IN	2:1	INCH	
		▽=0	4 PLACES ± --- ± ---	DRAWN BY DATE	TITLE		
		▽=0	3 PLACES ± --- ±.012	CHECKED BY DATE			
			2 PLACES ±.30 ± ---	NNGUYEN 2012/08/14			COMPACT GANGED MODJACK EVEN TAILS <b>molex</b>
		1 PLACE ± --- ± ---	JBELL 2012/08/14				
		0 PLACE ± ±	APPROVED BY DATE				
			FSMITH 2012/08/27				
			ANGULAR ±1/2°	MATERIAL NO.	DOCUMENT NO.		
			DRAFT WHERE APPLICABLE MUST REMAIN WITHIN DIMENSIONS	SEE SHEET 1	RSD-44560-001		
				SIZE C	THIS DRAWING CONTAINS INFORMATION THAT IS PROPRIETARY TO MOLEX INCORPORATED AND SHOULD NOT BE USED WITHOUT WRITTEN PERMISSION		



SHIELDING OPTION -A-  
STANDARD SHIELD  
(SEE CHART)

SHIELDING OPTION -B-  
ENHANCED GROUND TABS  
(SEE CHART)



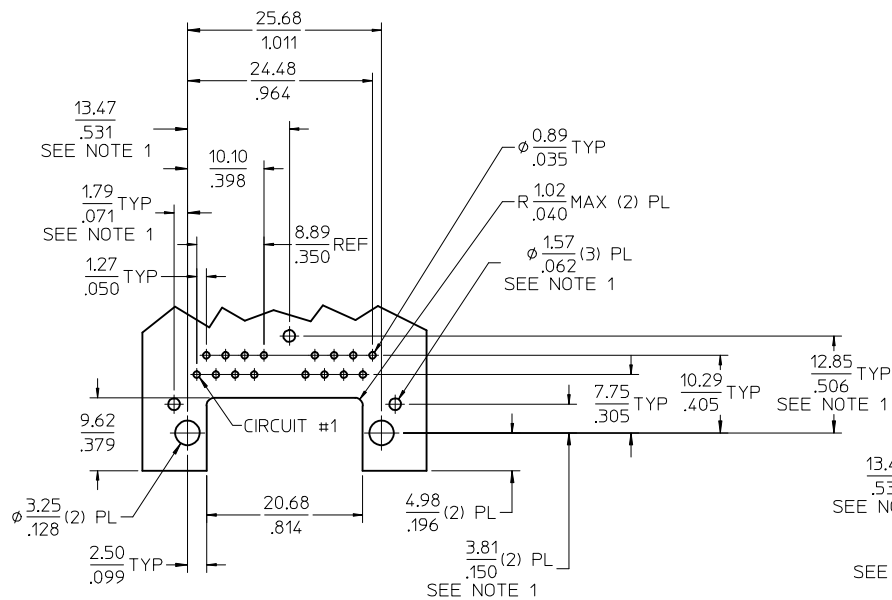
- NOTES:  
1) MATERIAL:  
HOUSING: NYLON(IPA), GLASS FILLED, UL94V-0, COLOR: BLACK  
TERMINALS: PHOSPHOR BRONZE  
SHIELD: BRASS, .007/(0.18) THICK  
2) FINISH:  
TERMINALS:  
SELECT GOLD IN CONTACT AREA: 50 MICROINCHES (1.27 MICROMETERS) MIN.,  
SELECT MATTE TIN IN PC TAIL AREA: 100 MICROINCHES (2.54 MICROMETERS) MIN.,  
WITH OVERALL NICKEL UNDERPLATE: 50 MICROINCHES (1.27 MICROMETERS) MIN.  
SHIELD:  
100 MICROINCHES (2.54 MICROMETERS) NICKEL OVER 50 MICROINCHES  
(1.27 MICROMETERS) COPPER UNDERPLATE; PCB GROUND TABS DIPPED IN TIN.  
3) PRODUCT SPECIFICATION: PS-44560-003.  
4) PACKAGING SPECIFICATION:  
2 PORT: CONNECTOR PACKAGED IN TRAYS PER MOLEX PACKAGING SPECIFICATION  
PK-44560-004  
4 PORT: CONNECTOR PACKAGED IN TRAYS PER MOLEX PACKAGING SPECIFICATION  
PK-44560-005  
5) CONFORMS TO FCC REGULATION PART 68.5 FOR MODULAR JACKS.  
6) ENHANCED GROUND TABS SHIELD (OPTION -B-) IS SHOWN IN THIS  
DRAWING. (SEE CHART)  
7) SEE SHEET (2) OF (2) FOR RECOMMENDED PANEL OPENING AND PCB LAYOUT.  
8) CAT 5e PERFORMANCE IS NOT SPECIFIED FOR THIS MODULAR JACK BECAUSE  
OF THE EVEN TERMINAL TAILS.  
9) THIS PART CONFORMS TO CLASS B REQUIREMENTS OF COSMETIC  
SPECIFICATION PS-45499-002 WITH THE EXCEPTION OF THE SURFACE  
INDICATED, WHICH IS A CLASS C SURFACE.  
10) THIS PRODUCT IS COMPLIANT TO RoHS DIRECTIVE 2002/95/EC AND ELV ANNEX  
II OF DIRECTIVE 2000/53/EC.



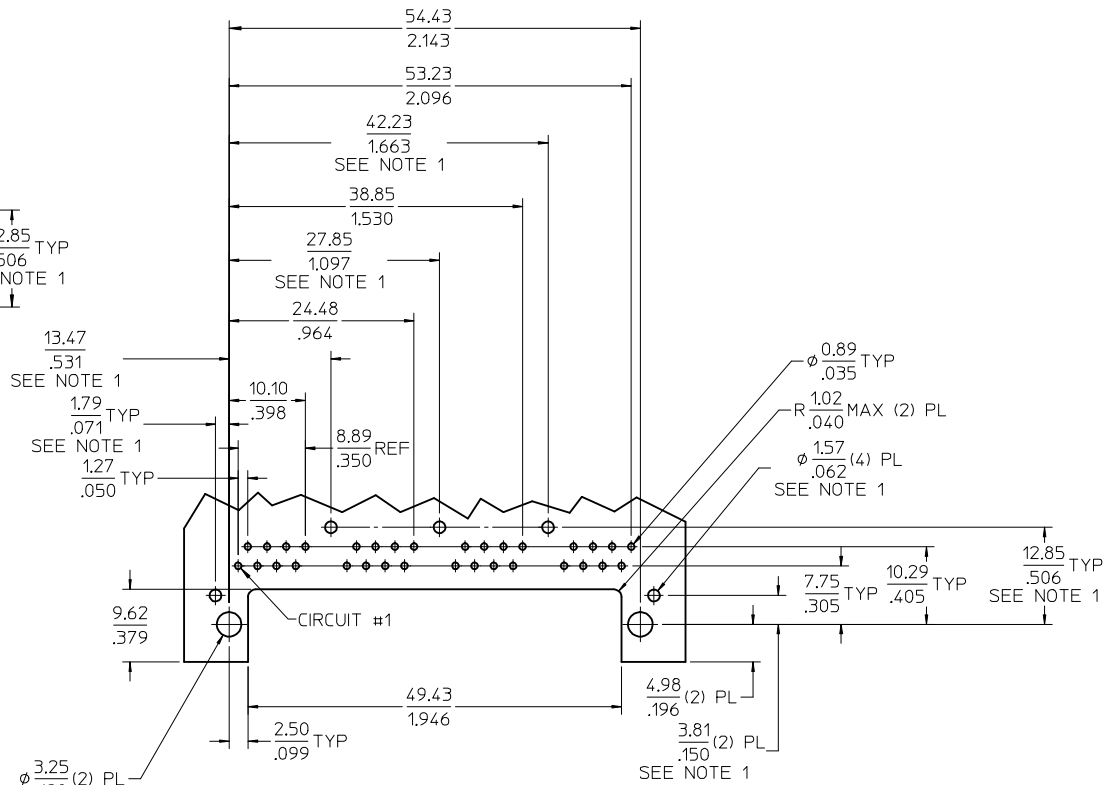
PEG DETAIL  
SCALE 4:1

ASSEMBLY MATERIAL NUMBER	SHIELDING OPTION	NUMBER OF REAR GROUND TABS	NUMBER OF PORTS	DIM -A-	DIM -B-
445600112	B	1	2	29.44/1.159	25.68/1.011

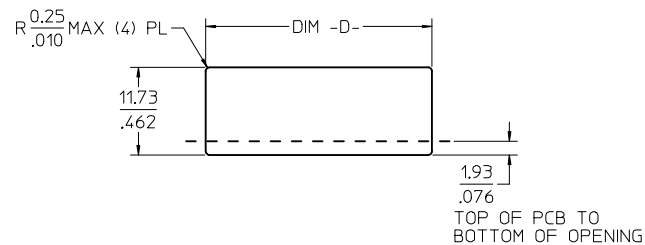
CREATE DWG EC NO: UCP2013-0627 DRW: NGUYEN CHKD: JELL APPR: FSMITH 2012/08/14 2012/08/14 2012/08/27	DESCRIPTION REV A	QUALITY SYMBOLS ∇=0 ∇=0 ∇=0	GENERAL TOLERANCES (UNLESS SPECIFIED) mm INCH 4 PLACES ± --- ± --- 3 PLACES ± --- ± .012 2 PLACES ± 0.30 ± --- 1 PLACE ± --- ± --- 0 PLACE ± ±	DIMENSION STYLE MM/IN DRAWN BY DATE NGUYEN 2012/08/14 CHECKED BY DATE JBELL 2012/08/14 APPROVED BY DATE FSMITH 2012/08/27	SCALE 2:1 DESIGN UNITS INCH THIRD ANGLE PROJECTION	COMPACT GANGED MODJACK EVEN TAILS <b>molex</b>	MATERIAL NO. SEE CHART DOCUMENT NO. RSD-44560-001 SHEET NO. 1 OF 2
		DRAFT WHERE APPLICABLE MUST REMAIN WITHIN DIMENSIONS			SIZE C	THIS DRAWING CONTAINS INFORMATION THAT IS PROPRIETARY TO MOLEX INCORPORATED AND SHOULD NOT BE USED WITHOUT WRITTEN PERMISSION	



2 PORT ASSEMBLY  
PCB LAYOUT : COMPONENT SIDE  
RECOMMENDED PCB THICKNESS: 1.57/.062  
TOLERANCE ±.076/.003 UNLESS OTHERWISE SPECIFIED

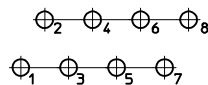


4 PORT ASSEMBLY  
PCB LAYOUT : COMPONENT SIDE  
RECOMMENDED PCB THICKNESS: 1.57/.062  
TOLERANCE ±.076/.003 UNLESS OTHERWISE SPECIFIED



NUMBER OF PORTS	DIM -D-
2	30.20/1.189
4	58.95/2.321

RECOMMENDED  
PANEL OPENING  
SHIELDING OPTIONS  
A AND B

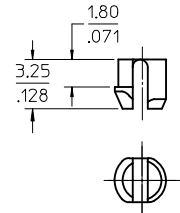
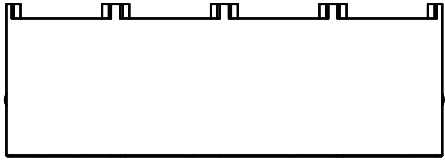


TYPICAL PC TERMINAL HOLE LAYOUT  
SCALE 5:1

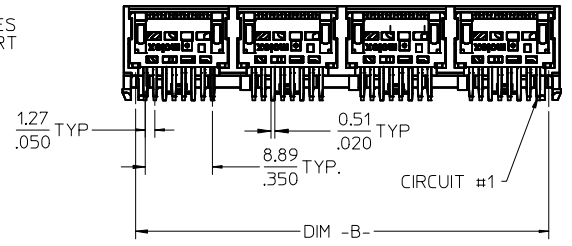
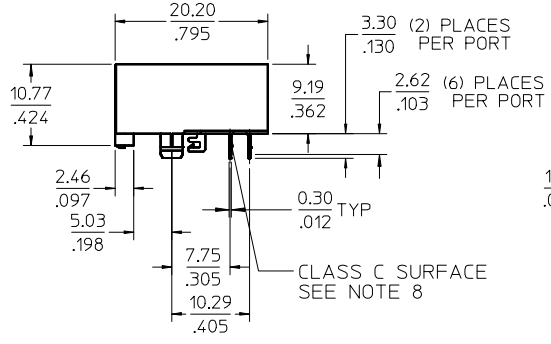
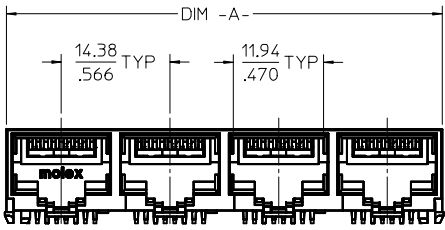
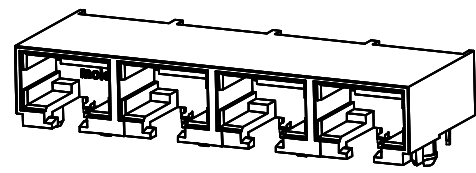
NOTES:

1. DIMENSIONS REFER TO ASSEMBLIES WITH SHIELDING OPTION

SEE SHEET 1 EC NO: UCP2013-0627 DRW: NNGUYEN CHKD: JBELL APPR: FSMITH	DESCRIPTION 2012/08/14 2012/08/14 2012/08/27	QUALITY SYMBOLS ▽=0 ▽=0 ▽=0	GENERAL TOLERANCES (UNLESS SPECIFIED)		DIMENSION STYLE MM/IN		SCALE 2:1	DESIGN UNITS INCH	THIRD ANGLE PROJECTION		
			mm	INCH	DRAWN BY NNGUYEN	DATE 2012/08/14	TITLE COMPACT GANGED MODJACK EVEN TAILS				
A	REV	DRAFT WHERE APPLICABLE MUST REMAIN WITHIN DIMENSIONS	4 PLACES ±	±	CHECKED BY JBELL	DATE 2012/08/14	APPROVED BY FSMITH	DATE 2012/08/27	MATERIAL NO. SEE SHEET 1	DOCUMENT NO. RSD-44560-001	SHEET NO. 2 OF 2
			3 PLACES ±	±.012							
			2 PLACES ±	±.30	THIS DRAWING CONTAINS INFORMATION THAT IS PROPRIETARY TO MOLEX INCORPORATED AND SHOULD NOT BE USED WITHOUT WRITTEN PERMISSION						
			1 PLACE ±	±							
			0 PLACE ±	±							



PEG DETAIL  
SCALE 4:1



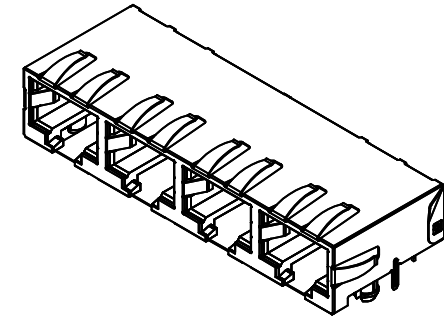
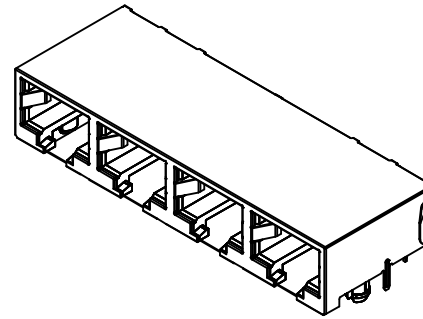
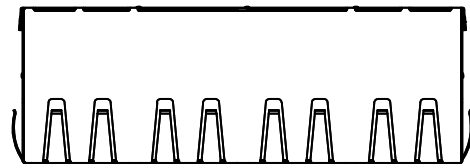
- NOTES:  
 1) MATERIAL:  
 HOUSING: NYLON(PA), GLASS FILLED, UL94V-0, COLOR: BLACK  
 TERMINALS: PHOSPHOR BRONZE  
 2) FINISH:  
 TERMINALS:  
 SELECT GOLD IN CONTACT AREA: 50 MICROINCHES (1.27 MICROMETERS) MIN.  
 SELECT MATTE TIN IN PC TAIL AREA: 100 MICROINCHES (2.54 MICROMETERS) MIN.  
 WITH OVERALL NICKEL UNDERPLATE: 50 MICROINCHES (1.27 MICROMETERS) MIN.  
 3) PRODUCT SPECIFICATION AND PROCESSING PARAMETERS: PS-44560-003.  
 4) PACKAGING SPECIFICATION:  
 2 PORT: CONNECTOR PACKAGED IN TRAYS PER MOLEX PACKAGING SPECIFICATION PK-44560-004  
 4 PORT: CONNECTOR PACKAGED IN TRAYS PER MOLEX PACKAGING SPECIFICATION PK-44560-005  
 5) CONFORMS TO FCC REGULATION PART 68.5 FOR MODULAR JACKS.  
 6) SEE SHEET (4) OF (4) FOR RECOMMENDED PANEL OPENING AND PCB LAYOUT.  
 7) TERMINAL LENGTHS MAY BE DIFFERENT FROM TERMINAL TO TERMINAL.  
 8) THIS PART CONFORMS TO CLASS B REQUIREMENTS OF COSMETIC SPECIFICATION PS-45499-002 WITH THE EXCEPTION OF THE SURFACE INDICATED, WHICH IS A CLASS C SURFACE.  
 9) THIS PRODUCT IS COMPLIANT TO RoHS DIRECTIVE 2002/95/EC AND ELV ANNEX II OF DIRECTIVE 2000/53/EC.

ASSEMBLY MATERIAL NUMBER	NUMBER OF PORTS	DIM -A-	DIM -B-
445600001	2	28.96/1.140	25.68/1.011
445600003	4	57.71/2.272	54.43/2.143

OBSOLETE PN EC NO: UCP2017-0798 DRW:WAFENG02 2016/10/10 CHKD: APPR:KLANG 2016/10/17 REV: G5	QUALITY SYMBOLS	DESCRIPTION
	▽=0	
	▽=0	
	▽=0	
	▽=0	

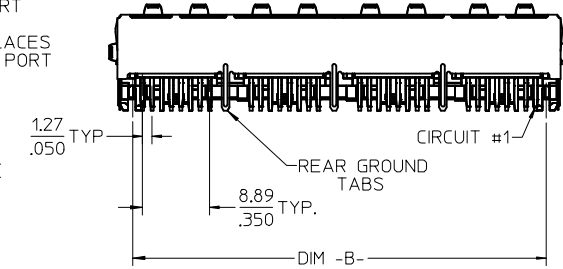
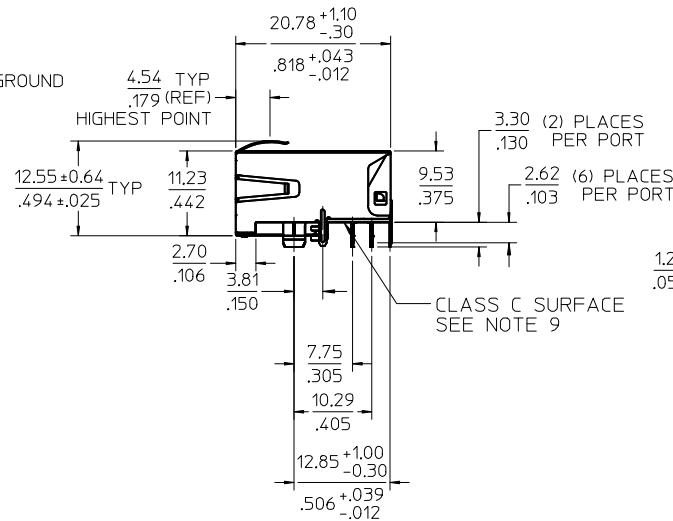
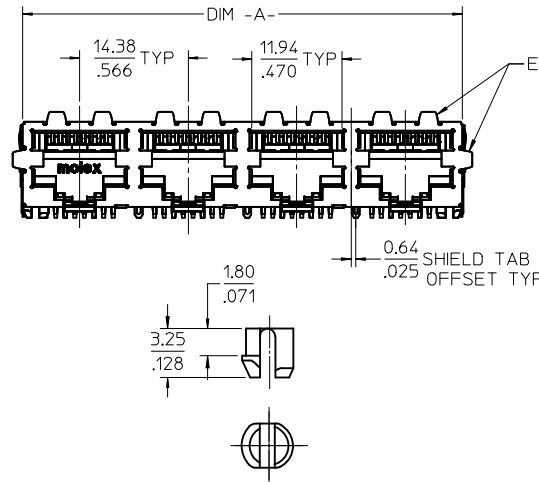
GENERAL TOLERANCES (UNLESS SPECIFIED)	
mm	INCH
4 PLACES ± .010	± .0004
3 PLACES ± .012	± .0005
2 PLACES ± 0.30	± .0118
1 PLACE ± .010	± .0004
0 PLACE ±	±
ANGULAR ±1/2°	
DRAFT WHERE APPLICABLE MUST REMAIN WITHIN DIMENSIONS	

DIMENSION STYLE MM/IN		SCALE 2:1	DESIGN UNITS INCH	THIRD ANGLE PROJECTION
DRAWN BY MKAMAR	DATE 00/03/28	TITLE COMPACT GANGED CATEGORY 5E MODJACK		
CHECKED BY MKAMAR	DATE 00/03/28	molex		
APPROVED BY JROBERTS	DATE 00/03/28	MATERIAL NO. SEE CHART	DOCUMENT NO. SD-44560-001	SHEET NO. 1 OF 4
THIS DRAWING CONTAINS INFORMATION THAT IS PROPRIETARY TO MOLEX INCORPORATED AND SHOULD NOT BE USED WITHOUT WRITTEN PERMISSION				



SHIELDING OPTION -A-  
STANDARD SHIELD  
(SEE CHART)

SHIELDING OPTION -B-  
ENHANCED GROUND TABS  
(SEE CHART)

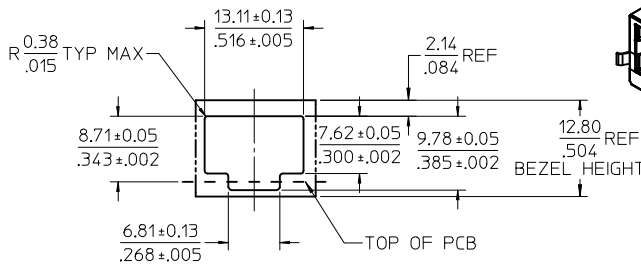
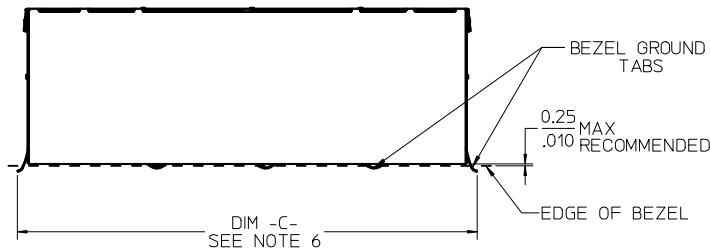


PEG DETAIL  
SCALE 4:1

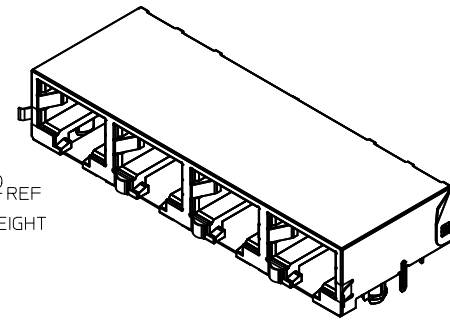
- NOTES:
- MATERIAL:  
HOUSING: NYLON(PA), GLASS FILLED, UL94V-0, COLOR: BLACK  
TERMINALS: PHOSPHOR BRONZE  
SHIELD: BRASS, .0077(0,18) THICK
  - FINISH:  
TERMINALS:  
SELECT GOLD IN CONTACT AREA: 50 MICROINCHES (1.27 MICROMETERS) MIN.,  
SELECT MATTE TIN IN PC TAIL AREA: 100 MICROINCHES (2.54 MICROMETERS) MIN.,  
WITH OVERALL NICKEL UNDERPLATE: 50 MICROINCHES (1.27 MICROMETERS) MIN.  
SHIELD:  
100 MICROINCHES (2.54 MICROMETERS) NICKEL OVER 50 MICROINCHES  
(1.27 MICROMETERS) COPPER UNDERPLATE; PCB GROUND TABS DIPPED IN TIN.
  - PRODUCT SPECIFICATION AND PROCESSING PARAMETERS: PS-44560-003.
  - PACKAGING SPECIFICATION:  
2 PORT: CONNECTOR PACKAGED IN TRAYS PER MOLEX PACKAGING SPECIFICATION  
PK-44560-004  
4 PORT: CONNECTOR PACKAGED IN TRAYS PER MOLEX PACKAGING SPECIFICATION  
PK-44560-005
  - CONFORMS TO FCC REGULATION PART 68.5 FOR MODULAR JACKS.
  - ENHANCED GROUND TABS SHIELD (OPTION -B-) IS SHOWN IN THIS DRAWING. (SEE CHART)
  - SEE SHEET (4) OF (4) FOR RECOMMENDED PANEL OPENING AND PCB LAYOUT.
  - TERMINAL LENGTHS MAY BE DIFFERENT FROM TERMINAL TO TERMINAL.
  - THIS PART CONFORMS TO CLASS B REQUIREMENTS OF COSMETIC SPECIFICATION PS-45499-002 WITH THE EXCEPTION OF THE SURFACE INDICATED, WHICH IS A CLASS C SURFACE.
  - THIS PRODUCT IS COMPLIANT TO RoHS DIRECTIVE 2002/95/EC AND ELV ANNEX II OF DIRECTIVE 2000/53/EC.

ASSEMBLY MATERIAL NUMBER	SHIELDING OPTION	NUMBER OF REAR GROUND TABS	NUMBER OF PORTS	DIM -A-	DIM -B-
445600002	A	1	2	29.44/1.159	25.68/1.011
445600004	A	3	4	58.19/2.291	54.43/2.143
445600012	B	1	2	29.44/1.159	25.68/1.011
445600014	B	3	4	58.19/2.291	54.43/2.143

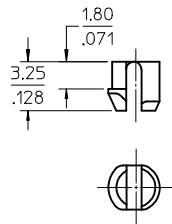
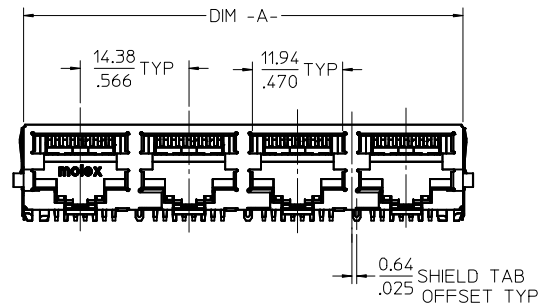
SEE SHEET 1 EC NO: UCP2017-0798 DRW:AFENG02 2016/10/10 CHKD: APPR:KLANG 2016/10/17	QUALITY SYMBOLS ▽=0 ▽=0 ▽=0	GENERAL TOLERANCES (UNLESS SPECIFIED)		DIMENSION STYLE MM/IN		SCALE 2:1	DESIGN UNITS INCH	THIRD ANGLE PROJECTION		
		mm INCH		DRAWN BY MKAMAR	DATE 00/03/28	TITLE COMPACT GANGED CATEGORY 5E MODJACK				
		4 PLACES ± --- ± --- 3 PLACES ± --- ± .012 2 PLACES ± 0.30 ± --- 1 PLACE ± --- ± --- 0 PLACE ± ±		CHECKED BY MKAMAR	DATE 00/03/28	APPROVED BY JROBERTS			DATE 00/03/28	DOCUMENT NO. SD-44560-001
		ANGULAR ±1/2°		MATERIAL NO. SEE CHART		SHEET NO. 2 OF 4				
DRAFT WHERE APPLICABLE MUST REMAIN WITHIN DIMENSIONS		THIS DRAWING CONTAINS INFORMATION THAT IS PROPRIETARY TO MOLEX INCORPORATED AND SHOULD NOT BE USED WITHOUT WRITTEN PERMISSION								



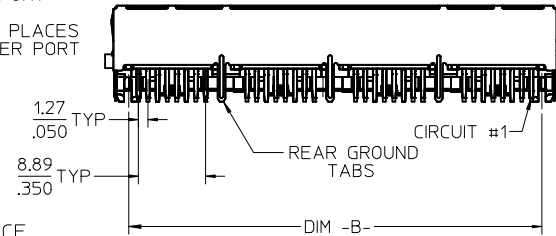
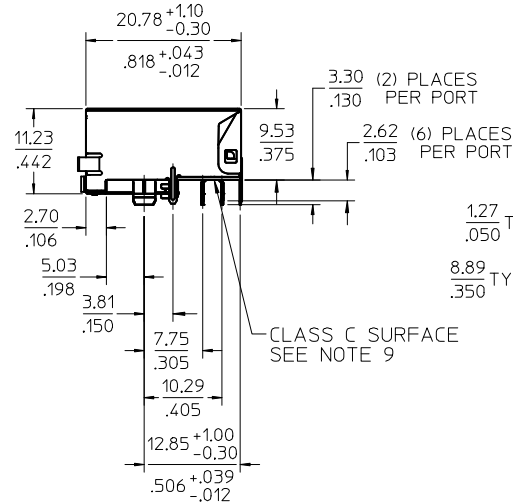
RECOMMENDED  
PANEL OPENING  
(EACH PORT)  
FOR PMC BEZEL ONLY



SHIELDING OPTION -C-  
BEZEL GROUND TABS



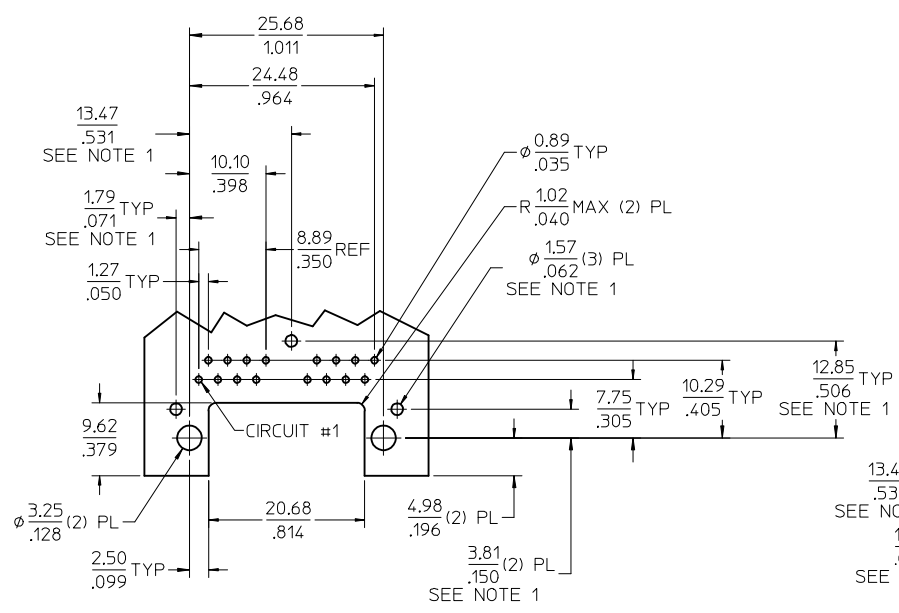
PEG DETAIL  
SCALE 4:1



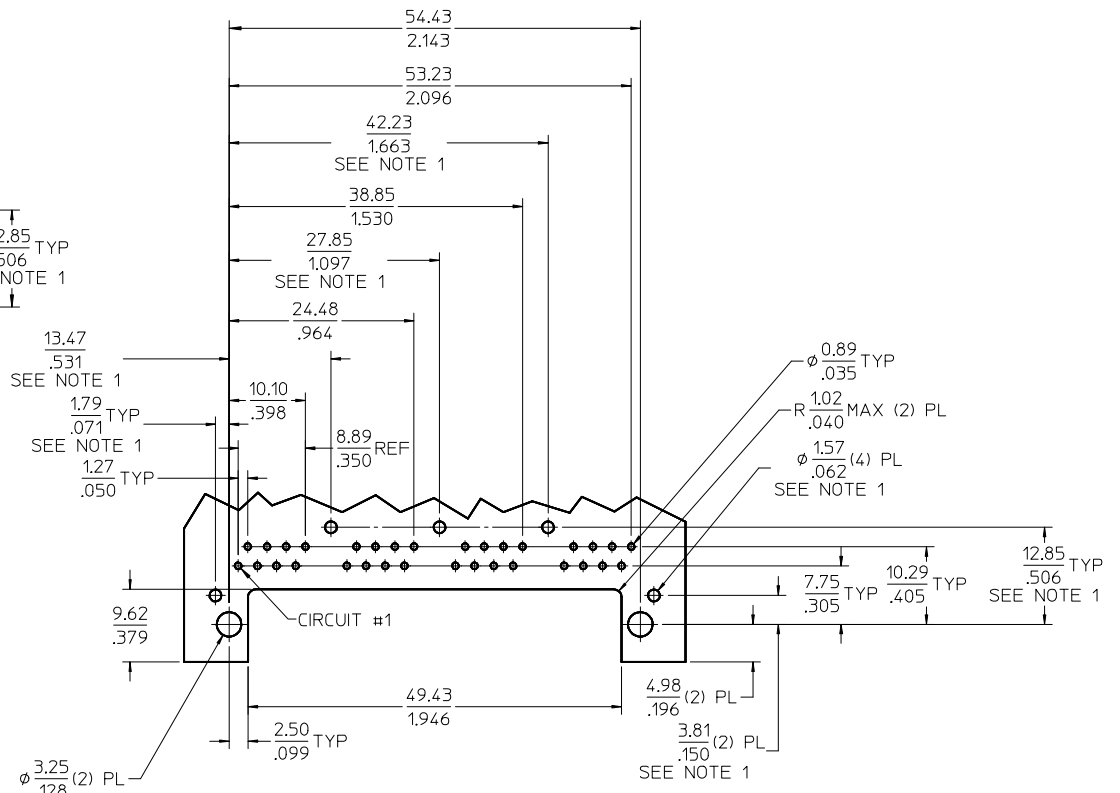
- NOTES:  
1) MATERIAL:  
HOUSING: NYLON(IPA), GLASS FILLED, UL94V-0, COLOR: BLACK  
TERMINALS: PHOSPHOR BRONZE  
SHIELD: BRASS, .007/(0.18) THICK  
2) FINISH:  
TERMINALS:  
SELECT GOLD IN CONTACT AREA: 50 MICROINCHES (1.27 MICROMETERS) MIN.  
SELECT MATTE TIN IN PC TAIL AREA: 100 MICROINCHES (2.54 MICROMETERS) MIN.  
WITH OVERALL NICKEL UNDERPLATE: 50 MICROINCHES (1.27 MICROMETERS) MIN.  
SHIELD:  
100 MICROINCHES (2.54 MICROMETERS) NICKEL OVER 50 MICROINCHES  
(1.27 MICROMETERS) COPPER UNDERPLATE, PCB GROUND TABS DIPPED IN TIN.  
3) PRODUCT SPECIFICATION AND PROCESSING PARAMETERS: PS-44560-003.  
4) PACKAGING SPECIFICATION:  
2 PORT: CONNECTOR PACKAGED IN TRAYS PER MOLEX PACKAGING SPECIFICATION  
PK-44560-004  
4 PORT: CONNECTOR PACKAGED IN TRAYS PER MOLEX PACKAGING SPECIFICATION  
PK-44560-005  
5) CONFORMS TO FCC REGULATION PART 68.5 FOR MODULAR JACKS.  
6) THIS DIMENSION HAS A MAXIMUM OF 34.82/1.371 FOR THE (2) PORT PART AND  
63.57/2.503 FOR THE (4) PORT PART WHEN THE JACK IS INSTALLED BEHIND  
THE BEZEL.  
7) SEE SHEET (4) OF (4) FOR RECOMMENDED PCB LAYOUT.  
8) TERMINAL LENGTHS MAY BE DIFFERENT FROM TERMINAL TO TERMINAL.  
9) THIS PART CONFORMS TO CLASS B REQUIREMENTS OF COSMETIC  
SPECIFICATION PS-45499-002 WITH THE EXCEPTION OF THE SURFACE  
INDICATED, WHICH IS A CLASS C SURFACE.  
10) THIS PRODUCT IS COMPLIANT TO RoHS DIRECTIVE 2002/95/EC AND ELV ANNEX  
II OF DIRECTIVE 2000/53/EC.

*X=NOT TOOLED	ASSEMBLY MATERIAL NUMBER	SHIELDING OPTION	NUMBER OF REAR GROUND TABS	NUMBER OF PORTS	DIM -A-	DIM -B-	DIM -C-
X	445600022	C	1	2	29.44/1.159	25.68/1.011	32.13/1.265
	445600024	C	3	4	58.19/2.291	54.43/2.143	60.88/2.397

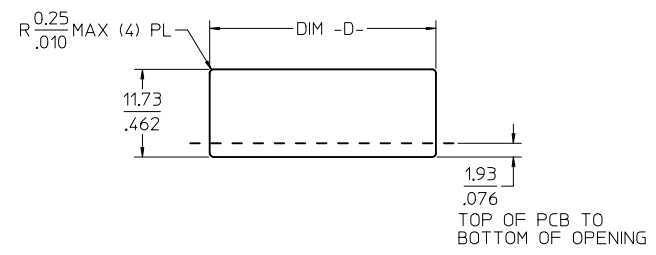
SEE SHEET 1 EC NO: UCP2017-0798 DRW:AFENG02 2016/10/10 CHKD: APPR:KLANG 2016/10/17	QUALITY SYMBOLS ▽=0 ▽=0 ▽=0	GENERAL TOLERANCES (UNLESS SPECIFIED)		DIMENSION STYLE MM/IN		SCALE 2:1	DESIGN UNITS INCH	THIRD ANGLE PROJECTION
		4 PLACES ±	±	DRAWN BY MKAMAR	DATE 00/03/28	COMPACT GANGED CATEGORY 5E MODJACK  <b>molex</b> DOCUMENT NO. SD-44560-001 SHEET NO. 3 OF 4		
		3 PLACES ±	±.012	CHECKED BY	DATE			
		2 PLACES ±	±0.30	APPROVED BY	DATE			
1 PLACE ±	±	JROBERTS	00/03/28					
		0 PLACE ±	±	MATERIAL NO.		DOCUMENT NO.		
DRAFT WHERE APPLICABLE MUST REMAIN WITHIN DIMENSIONS		ANGULAR ±1/2°		SEE CHART		THIS DRAWING CONTAINS INFORMATION THAT IS PROPRIETARY TO MOLEX INCORPORATED AND SHOULD NOT BE USED WITHOUT WRITTEN PERMISSION		



2 PORT ASSEMBLY  
 PCB LAYOUT : COMPONENT SIDE  
 RECOMMENDED PCB THICKNESS: 1.57/.062  
 TOLERANCE ±.076/.003 UNLESS OTHERWISE SPECIFIED

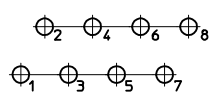


4 PORT ASSEMBLY  
 PCB LAYOUT : COMPONENT SIDE  
 RECOMMENDED PCB THICKNESS: 1.57/.062  
 TOLERANCE ±.076/.003 UNLESS OTHERWISE SPECIFIED



NUMBER OF PORTS	DIM -D-
2	30.20/1.189
4	58.95/2.321

RECOMMENDED  
 PANEL OPENING  
 SHIELDING OPTIONS  
 A AND B

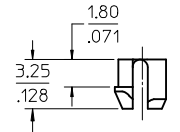
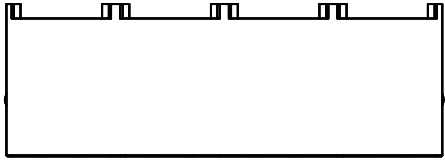


TYPICAL PC TERMINAL HOLE LAYOUT  
 SCALE 5:1

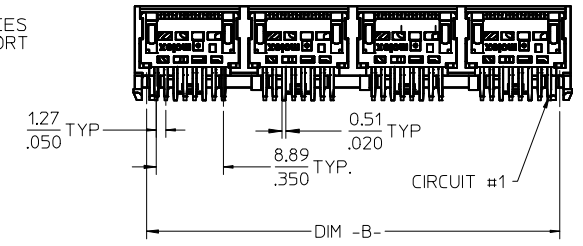
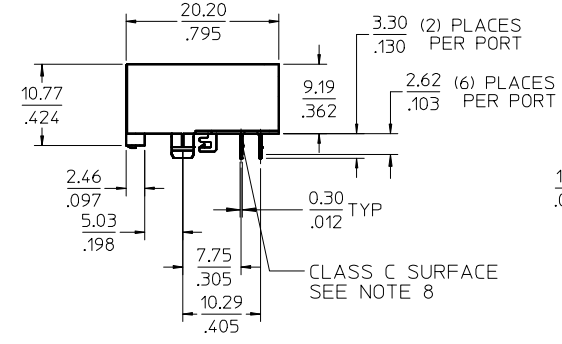
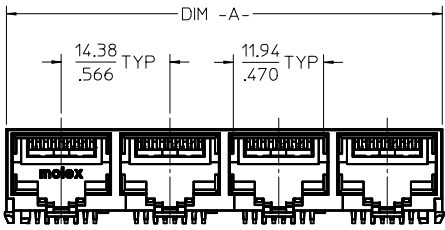
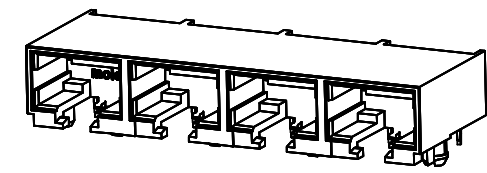
NOTES:  
 1. DIMENSIONS REFER TO ASSEMBLIES WITH SHIELDING OPTION

SEE SHEET 1 IEC NO: UCP2017-0798 IDRWNAFENG02 2016/10/10 CHKD: CAPPK-KLANG APPR: KLANG REV: G5	QUALITY SYMBOLS	GENERAL TOLERANCES (UNLESS SPECIFIED)	DIMENSION STYLE	SCALE	DESIGN UNITS	THIRD ANGLE PROJECTION
	▽=0	mm INCH	MM/IN	2:1	INCH	
	▽=0	4 PLACES ± --- ± ---	DRAWN BY	DATE	TITLE	<b>COMPACT GANGED          CATEGORY 5E MODJACK</b>
	▽=0	3 PLACES ± --- ± .012	MKAMAR	00/03/28	CHECKED BY	
	▽=0	2 PLACES ± 0.30 ± ---	APPROVED BY	DATE		<b>molex</b> DOCUMENT NO. SD-44560-001 SHEET NO. 4 OF 4
	1 PLACE ± --- ± ---	MATERIAL NO.	DATE			
	0 PLACE ± ±	ANGULAR ±1/2°	DATE			
DRAFT WHERE APPLICABLE MUST REMAIN WITHIN DIMENSIONS		SEE CHART		THIS DRAWING CONTAINS INFORMATION THAT IS PROPRIETARY TO MOLEX INCORPORATED AND SHOULD NOT BE USED WITHOUT WRITTEN PERMISSION		





PEG DETAIL  
SCALE 4:1



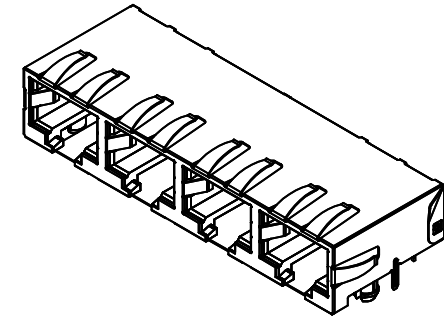
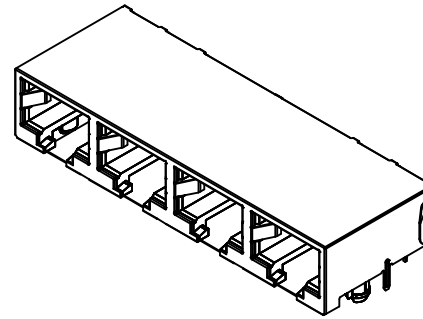
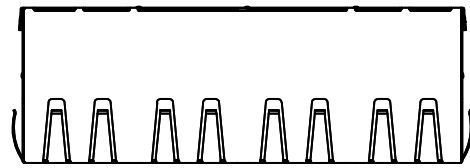
- NOTES:
- MATERIAL:  
HOUSING: NYLON(PA), GLASS FILLED, UL94V-0, COLOR: BLACK  
TERMINALS: PHOSPHOR BRONZE
  - FINISH:  
TERMINALS:  
SELECT GOLD IN CONTACT AREA: 50 MICROINCHES (1.27 MICROMETERS) MIN.  
SELECT MATTE TIN IN PC TAIL AREA: 100 MICROINCHES (2.54 MICROMETERS) MIN.  
WITH OVERALL NICKEL UNDERPLATE: 50 MICROINCHES (1.27 MICROMETERS) MIN.
  - PRODUCT SPECIFICATION AND PROCESSING PARAMETERS: PS-44560-003.
  - PACKAGING SPECIFICATION:  
2 PORT: CONNECTOR PACKAGED IN TRAYS PER MOLEX PACKAGING SPECIFICATION PK-44560-004  
4 PORT: CONNECTOR PACKAGED IN TRAYS PER MOLEX PACKAGING SPECIFICATION PK-44560-005
  - CONFORMS TO FCC REGULATION PART 68.5 FOR MODULAR JACKS.
  - SEE SHEET (4) OF (4) FOR RECOMMENDED PANEL OPENING AND PCB LAYOUT.
  - TERMINAL LENGTHS MAY BE DIFFERENT FROM TERMINAL TO TERMINAL.
  - THIS PART CONFORMS TO CLASS B REQUIREMENTS OF COSMETIC SPECIFICATION PS-45499-002 WITH THE EXCEPTION OF THE SURFACE INDICATED, WHICH IS A CLASS C SURFACE.
  - THIS PRODUCT IS COMPLIANT TO RoHS DIRECTIVE 2002/95/EC AND ELV ANNEX II OF DIRECTIVE 2000/53/EC.

ASSEMBLY MATERIAL NUMBER	NUMBER OF PORTS	DIM -A-	DIM -B-
445600001	2	28.96/1.140	25.68/1.011
445600003	4	57.71/2.272	54.43/2.143

OBSOLETE PN IEC NO: UCP2017-0798 DRW:WAFENG02 2016/10/10 CHKD: APPR:KLANG 2016/10/17 G5 REV:	QUALITY SYMBOLS	GENERAL TOLERANCES (UNLESS SPECIFIED)	DIMENSION STYLE MM/IN		SCALE 2:1	DESIGN UNITS INCH	THIRD ANGLE PROJECTION
	▽=0	4 PLACES ± --- ± ---	mm	INCH	DRAWN BY DATE MKAMAR 00/03/28		
	▽=0	3 PLACES ± --- ± .012			CHECKED BY DATE MKAMAR 00/03/28		
	▽=0	2 PLACES ± 0.30 ± ---			APPROVED BY DATE JROBERTS 00/03/28		
		1 PLACE ± --- ± ---			MATERIAL NO. SEE CHART		
		0 PLACE ± ±			DOCUMENT NO. SD-44560-001		
		ANGULAR ±1/2°			SHEET NO. 1 OF 4		
		DRAFT WHERE APPLICABLE MUST REMAIN WITHIN DIMENSIONS			THIS DRAWING CONTAINS INFORMATION THAT IS PROPRIETARY TO MOLEX INCORPORATED AND SHOULD NOT BE USED WITHOUT WRITTEN PERMISSION		

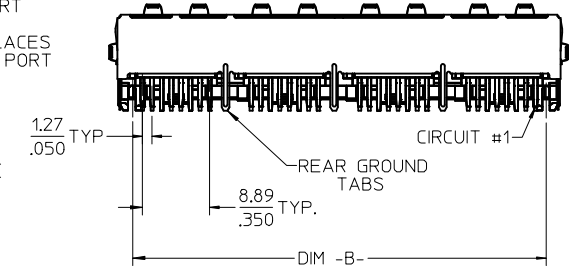
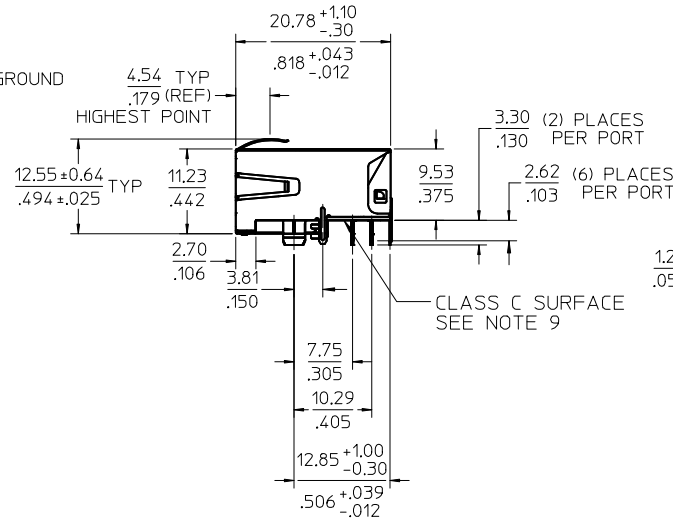
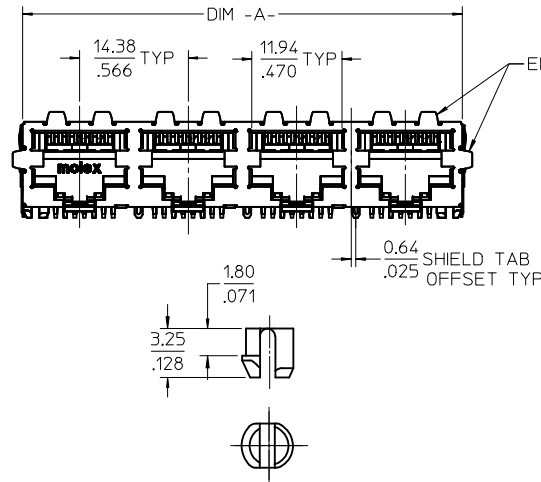
COMPACT GANGED  
CATEGORY 5E MODJACK

**molex**



SHIELDING OPTION -A-  
STANDARD SHIELD  
(SEE CHART)

SHIELDING OPTION -B-  
ENHANCED GROUND TABS  
(SEE CHART)



PEG DETAIL  
SCALE 4:1

- NOTES:
- MATERIAL:  
HOUSING: NYLON(PA), GLASS FILLED, UL94V-0, COLOR: BLACK  
TERMINALS: PHOSPHOR BRONZE  
SHIELD: BRASS, .0077(0,18) THICK
  - FINISH:  
TERMINALS:  
SELECT GOLD IN CONTACT AREA: 50 MICROINCHES (1.27 MICROMETERS) MIN.,  
SELECT MATTE TIN IN PC TAIL AREA: 100 MICROINCHES (2.54 MICROMETERS) MIN.,  
WITH OVERALL NICKEL UNDERPLATE: 50 MICROINCHES (1.27 MICROMETERS) MIN.  
SHIELD:  
100 MICROINCHES (2.54 MICROMETERS) NICKEL OVER 50 MICROINCHES  
(1.27 MICROMETERS) COPPER UNDERPLATE; PCB GROUND TABS DIPPED IN TIN.
  - PRODUCT SPECIFICATION AND PROCESSING PARAMETERS: PS-44560-003.
  - PACKAGING SPECIFICATION:  
2 PORT: CONNECTOR PACKAGED IN TRAYS PER MOLEX PACKAGING SPECIFICATION  
PK-44560-004  
4 PORT: CONNECTOR PACKAGED IN TRAYS PER MOLEX PACKAGING SPECIFICATION  
PK-44560-005
  - CONFORMS TO FCC REGULATION PART 68.5 FOR MODULAR JACKS.
  - ENHANCED GROUND TABS SHIELD (OPTION -B-) IS SHOWN IN THIS DRAWING. (SEE CHART)
  - SEE SHEET (4) OF (4) FOR RECOMMENDED PANEL OPENING AND PCB LAYOUT.
  - TERMINAL LENGTHS MAY BE DIFFERENT FROM TERMINAL TO TERMINAL.
  - THIS PART CONFORMS TO CLASS B REQUIREMENTS OF COSMETIC SPECIFICATION PS-45499-002 WITH THE EXCEPTION OF THE SURFACE INDICATED, WHICH IS A CLASS C SURFACE.
  - THIS PRODUCT IS COMPLIANT TO RoHS DIRECTIVE 2002/95/EC AND ELV ANNEX II OF DIRECTIVE 2000/53/EC.

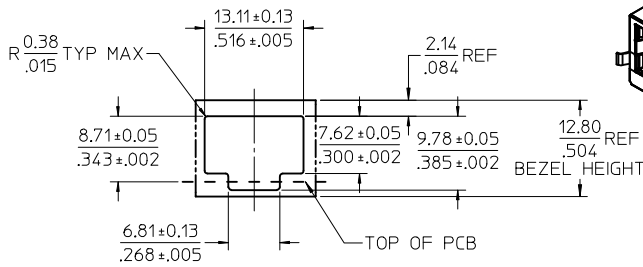
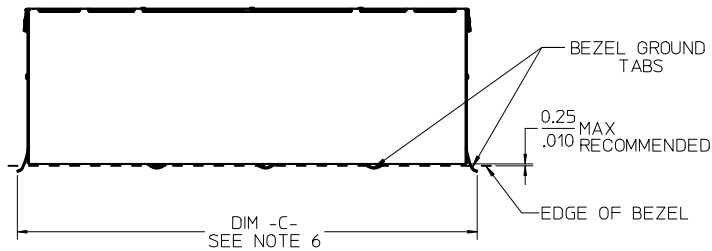
ASSEMBLY MATERIAL NUMBER	SHIELDING OPTION	NUMBER OF REAR GROUND TABS	NUMBER OF PORTS	DIM -A-	DIM -B-
445600002	A	1	2	29.44/1.159	25.68/1.011
445600004	A	3	4	58.19/2.291	54.43/2.143
445600012	B	1	2	29.44/1.159	25.68/1.011
445600014	B	3	4	58.19/2.291	54.43/2.143

SEE SHEET 1 EC NO: UCP2017-0798 DRW:AFENG02 2016/10/10 CHKD: APPR:KLANG 2016/10/17	QUALITY SYMBOLS ▽=0 ▽=0 ▽=0	GENERAL TOLERANCES (UNLESS SPECIFIED)		DIMENSION STYLE MM/IN		SCALE 2:1	DESIGN UNITS INCH	THIRD ANGLE PROJECTION
		mm		INCH		DRAWN BY MKAMAR		DATE 00/03/28
		4 PLACES ± --- ± ---		3 PLACES ± --- ± .012		CHECKED BY MKAMAR		DATE 00/03/28
		2 PLACES ± 0.30 ± ---		1 PLACE ± --- ± ---		APPROVED BY JROBERTS		DATE 00/03/28
0 PLACE ± ±		ANGULAR ±1/2°		MATERIAL NO.		DOCUMENT NO.		
DRAFT WHERE APPLICABLE MUST REMAIN WITHIN DIMENSIONS		SEE CHART		SEE CHART		SD-44560-001		
G5		SIZE C		THIS DRAWING CONTAINS INFORMATION THAT IS PROPRIETARY TO MOLEX INCORPORATED AND SHOULD NOT BE USED WITHOUT WRITTEN PERMISSION				

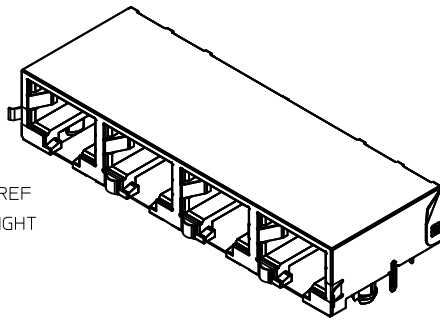
COMPACT GANGED  
CATEGORY 5E MODJACK

**molex**

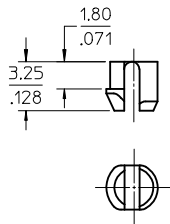
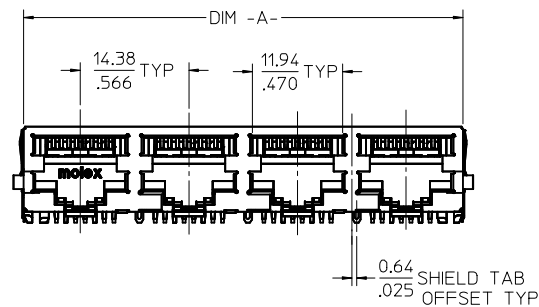
SHEET NO.  
2 OF 4



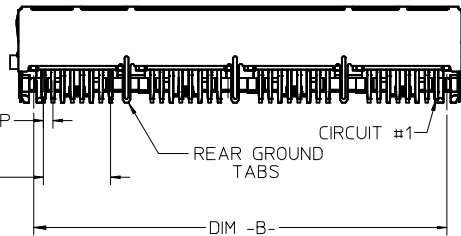
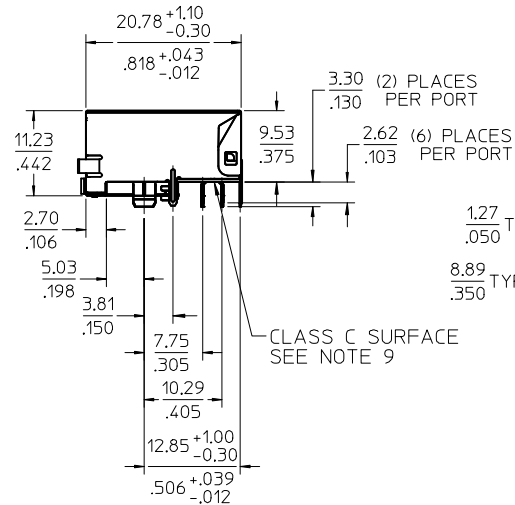
RECOMMENDED  
PANEL OPENING  
(EACH PORT)  
FOR PMC BEZEL ONLY



SHIELDING OPTION -C-  
BEZEL GROUND TABS



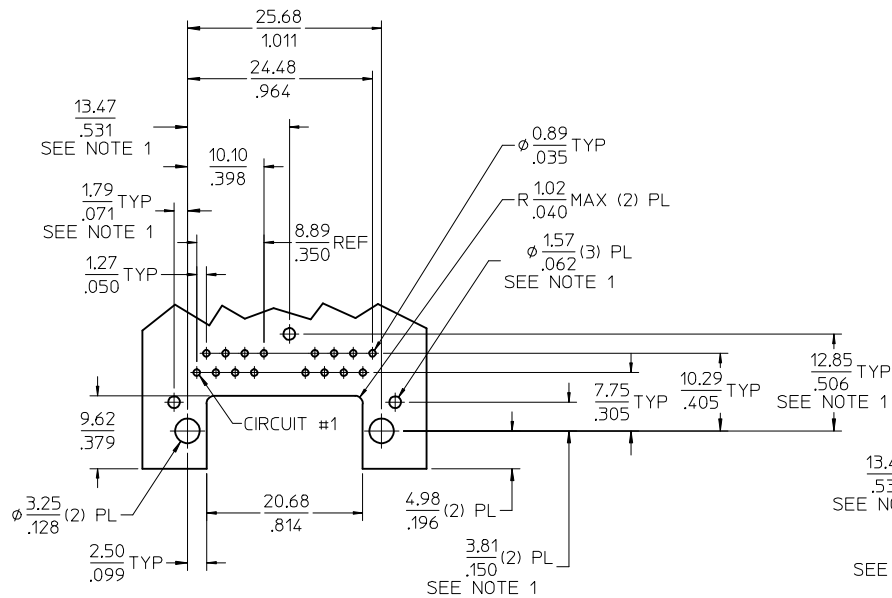
PEG DETAIL  
SCALE 4:1



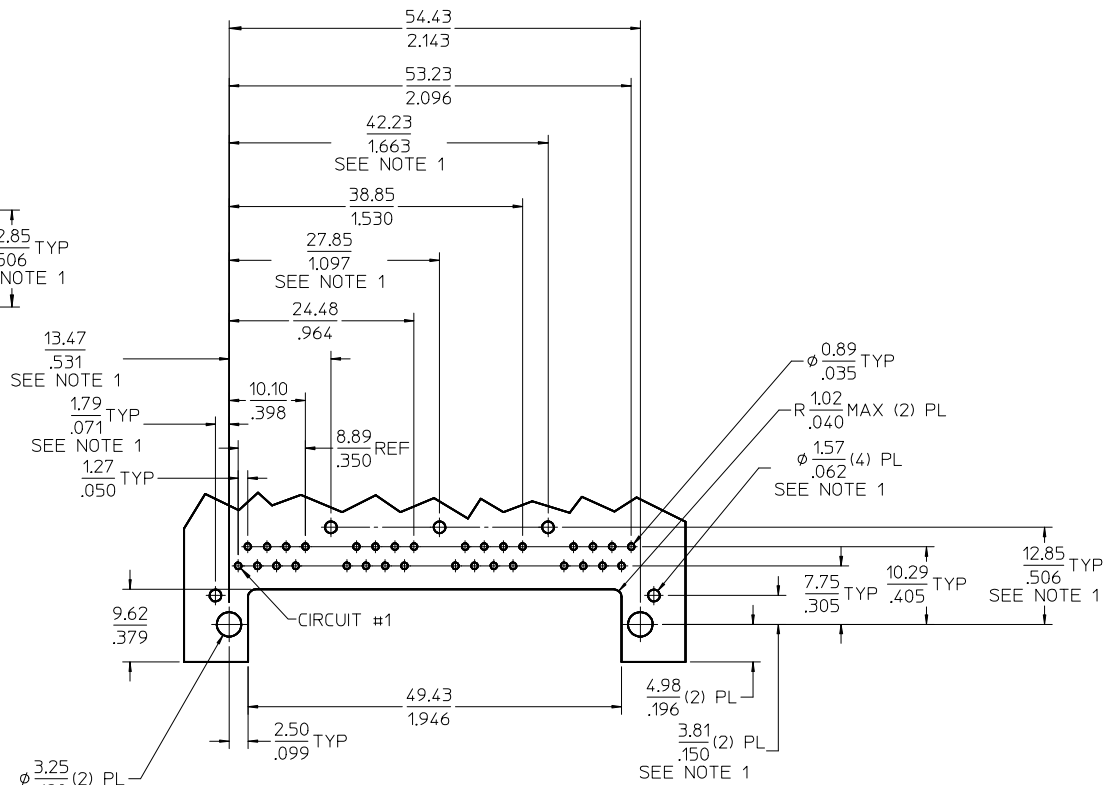
- NOTES:  
1) MATERIAL:  
HOUSING: NYLON(IPA), GLASS FILLED, UL94V-0, COLOR: BLACK  
TERMINALS: PHOSPHOR BRONZE  
SHIELD: BRASS, .007/(0.18) THICK  
2) FINISH:  
TERMINALS:  
SELECT GOLD IN CONTACT AREA: 50 MICROINCHES (1.27 MICROMETERS) MIN.  
SELECT MATTE TIN IN PC TAIL AREA: 100 MICROINCHES (2.54 MICROMETERS) MIN.  
WITH OVERALL NICKEL UNDERPLATE: 50 MICROINCHES (1.27 MICROMETERS) MIN.  
SHIELD:  
100 MICROINCHES (2.54 MICROMETERS) NICKEL OVER 50 MICROINCHES  
(1.27 MICROMETERS) COPPER UNDERPLATE, PCB GROUND TABS DIPPED IN TIN.  
3) PRODUCT SPECIFICATION AND PROCESSING PARAMETERS: PS-44560-003.  
4) PACKAGING SPECIFICATION:  
2 PORT: CONNECTOR PACKAGED IN TRAYS PER MOLEX PACKAGING SPECIFICATION  
PK-44560-004  
4 PORT: CONNECTOR PACKAGED IN TRAYS PER MOLEX PACKAGING SPECIFICATION  
PK-44560-005  
5) CONFORMS TO FCC REGULATION PART 68.5 FOR MODULAR JACKS.  
6) THIS DIMENSION HAS A MAXIMUM OF 34.82/1.371 FOR THE (2) PORT PART AND  
63.57/2.503 FOR THE (4) PORT PART WHEN THE JACK IS INSTALLED BEHIND  
THE BEZEL.  
7) SEE SHEET (4) OF (4) FOR RECOMMENDED PCB LAYOUT.  
8) TERMINAL LENGTHS MAY BE DIFFERENT FROM TERMINAL TO TERMINAL.  
9) THIS PART CONFORMS TO CLASS B REQUIREMENTS OF COSMETIC  
SPECIFICATION PS-45499-002 WITH THE EXCEPTION OF THE SURFACE  
INDICATED, WHICH IS A CLASS C SURFACE.  
10) THIS PRODUCT IS COMPLIANT TO RoHS DIRECTIVE 2002/95/EC AND ELV ANNEX  
II OF DIRECTIVE 2000/53/EC.

*X=NOT TOOLED	ASSEMBLY MATERIAL NUMBER	SHIELDING OPTION	NUMBER OF REAR GROUND TABS	NUMBER OF PORTS	DIM -A-	DIM -B-	DIM -C-
X	445600022	C	1	2	29.44/1.159	25.68/1.011	32.13/1.265
	445600024	C	3	4	58.19/2.291	54.43/2.143	60.88/2.397

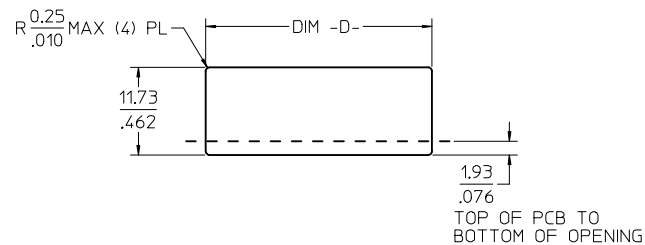
SEE SHEET 1 EC NO: UCP2017-0798 DRWNA-FENG02 2016/10/10 CHKD: APPR:K-LANG 2016/10/17	QUALITY SYMBOLS ▽=0 ▽=0 ▽=0	GENERAL TOLERANCES (UNLESS SPECIFIED)		DIMENSION STYLE MM/IN		SCALE 2:1	DESIGN UNITS INCH	THIRD ANGLE PROJECTION
		mm	INCH	DRAWN BY MKAMAR	DATE 00/03/28	COMPACT GANGED CATEGORY 5E MODJACK  <b>molex</b> DOCUMENT NO. SD-44560-001 SHEET NO. 3 OF 4		
		4 PLACES ±	±	CHECKED BY MKAMAR	DATE 00/03/28			
		3 PLACES ±	±.012	APPROVED BY JROBERTS	DATE 00/03/28			
2 PLACES ±	±.030	MATERIAL NO. SEE CHART						
1 PLACE ±	±	ANGULAR ±1/2°		DRAFT WHERE APPLICABLE MUST REMAIN WITHIN DIMENSIONS		THIS DRAWING CONTAINS INFORMATION THAT IS PROPRIETARY TO MOLEX INCORPORATED AND SHOULD NOT BE USED WITHOUT WRITTEN PERMISSION		
0 PLACE ±	±							



2 PORT ASSEMBLY  
PCB LAYOUT : COMPONENT SIDE  
RECOMMENDED PCB THICKNESS: 1.57/.062  
TOLERANCE ±.076/.003 UNLESS OTHERWISE SPECIFIED

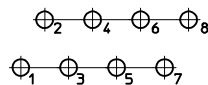


4 PORT ASSEMBLY  
PCB LAYOUT : COMPONENT SIDE  
RECOMMENDED PCB THICKNESS: 1.57/.062  
TOLERANCE ±.076/.003 UNLESS OTHERWISE SPECIFIED



NUMBER OF PORTS	DIM -D-
2	30.20/1.189
4	58.95/2.321

RECOMMENDED  
PANEL OPENING  
SHIELDING OPTIONS  
A AND B



TYPICAL PC TERMINAL HOLE LAYOUT  
SCALE 5:1

NOTES:

1. DIMENSIONS REFER TO ASSEMBLIES WITH SHIELDING OPTION

SEE SHEET 1 EC NO: UCP2017-0798 DRAWN BY: MKAMAR CHKD: CHPPR:KLANG G5	DESCRIPTION 2016/10/17	QUALITY SYMBOLS	GENERAL TOLERANCES (UNLESS SPECIFIED)	DIMENSION STYLE	SCALE	DESIGN UNITS	THIRD ANGLE PROJECTION	
		▽=0	mm INCH	MM/IN	2:1	INCH		
		▽=0	4 PLACES ± --- ± ---	DRAWN BY DATE				
		▽=0	3 PLACES ± --- ± .012	CHECKED BY DATE				
			2 PLACES ± 0.30 ± ---	MKAMAR 00/03/28				
			1 PLACE ± --- ± ---	APPROVED BY DATE				
			0 PLACE ± ±	JROBERTS 00/03/28				
			ANGULAR ±1/2°	MATERIAL NO.	DOCUMENT NO.			
			DRAFT WHERE APPLICABLE MUST REMAIN WITHIN DIMENSIONS	SEE CHART	SD-44560-001			
				SIZE C	THIS DRAWING CONTAINS INFORMATION THAT IS PROPRIETARY TO MOLEX INCORPORATED AND SHOULD NOT BE USED WITHOUT WRITTEN PERMISSION		SHEET NO. 4 OF 4	

COMPACT GANGED  
CATEGORY 5E MODJACK

**molex**

SD-44560-001

4 OF 4