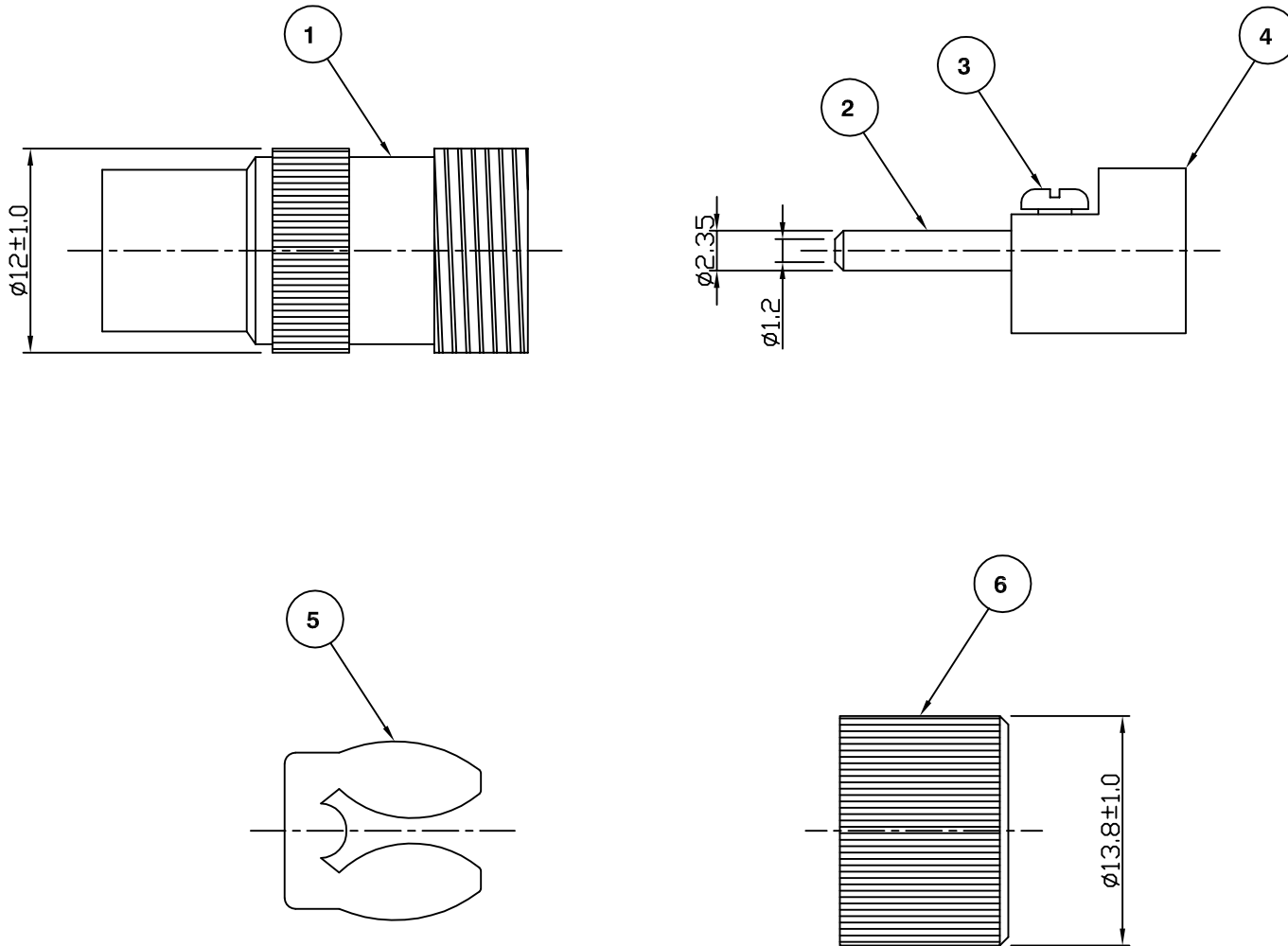


RoHS COMPLIANT



Total length of connector when assembled is 33 ± 1 mm
For stripping and assembly instructions see Drawing Number: VAIE1102

Electrical Characteristics

Nominal Impedance: 60-75 Ohms
 Frequency Range: DC to 900 MHz
 VSWR: 1.35:1 maximum
 Operating Voltage (DC): 4000 V maximum
 Dielectric Withstand Voltage (rms): 1500 V maximum at sea level
 Contact Resistance: 3.0 milliohms maximum
 Insulation Resistance: 10000 megohms minimum

Mechanical Characteristics

Mating Cycles: 50 cycles (subject to cable)
 Interface Dimensions: Conform to MIL-C-39012

Environmental Characteristics

Temperature Range: -55 °C to +85 °C

	PART	DESCRIPTION
1	Body	Brass, nickel plated 2.54 μ m
2	Contact	Brass, nickel plated 2.54 μ m
3	Screw	Steel, nickel plated 2.54 μ m
4	Insulator	POM
5	Clamp	Steel, nickel plated 2.54 μ m
6	Shell	Brass, nickel plated 2.54 μ m

First Issue	SN	1	10 Jan 02
DESCRIPTION OF REVISION	APPVD	ISS	DATE



Cinch Connectivity Solutions:
 7-13 Russel Way,
 Widford Industrial Estate,
 Chelmsford,
 Essex,
 CM1 3AA, UK
 Tel: +44 (0) 1245 359515
 Fax: +44 (0) 1245 358938

SCALE: Not To Scale

DIMENSIONS: mm

TOLERANCES:
 ± 0.2 mm unless
 otherwise stated

DRAWN BY:	S Nash
CHECKED BY:	M Nielsen
APPROVED BY:	P Couzens
DATE:	10 Jan 02

TITLE:
**Euro Screw Termination Plug
 for RG59**

PART NUMBER:
VE10-59

PAGE: 1 of 1