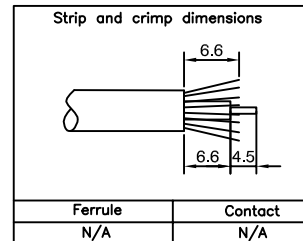
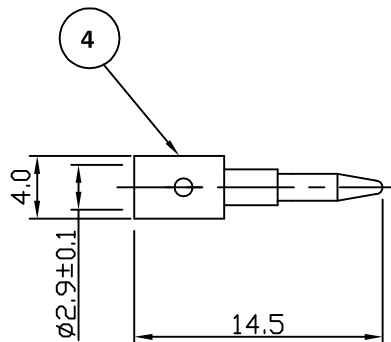
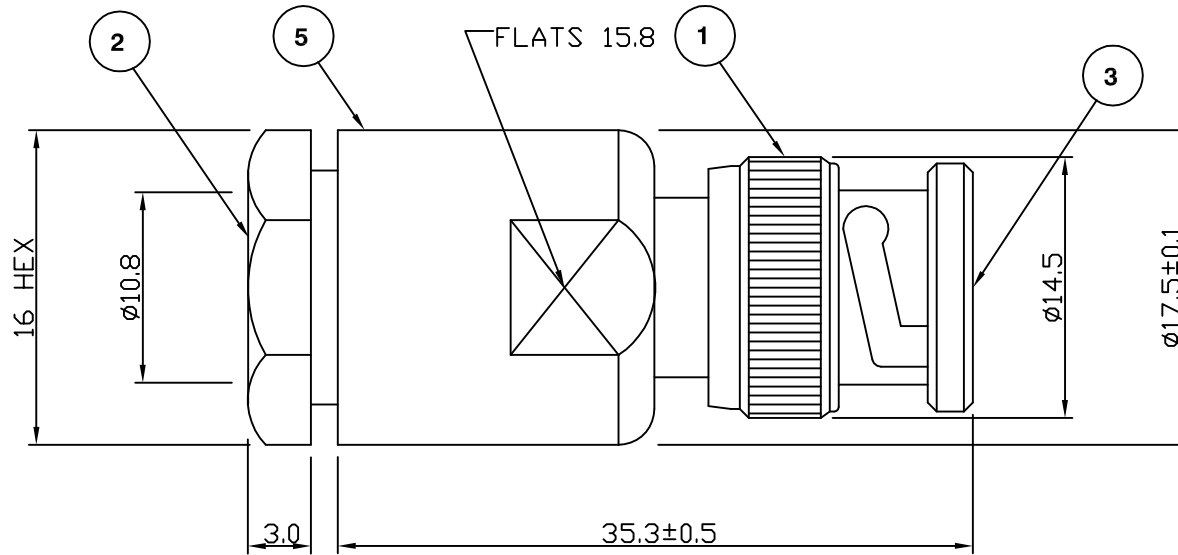


RoHS COMPLIANT



For stripping and assembly instructions see Drawing Number: VAIB1205

Electrical Characteristics

Nominal Impedance:	50 ohms
Frequency Range:	DC to 4 GHz
VSWR:	1.35:1 maximum
Insertion Loss:	0.2 dB at 3 GHz
Operating Voltage (rms):	500 V maximum at sea level
Dielectric Withstand Voltage (rms):	1500 V maximum at sea level
Contact Resistance:	1.5 milliohms maximum
Insulation Resistance:	5000 megohms minimum

Mechanical Characteristics

Mating Cycles:	500 cycles minimum
Interface Dimensions:	Conform to MIL-C-39012

Environmental Characteristics

Temperature Range:	-55 °C to +85 °C
--------------------	------------------

	PART	DESCRIPTION
1	Shell	Brass, nickel plated 1.78 µm
2	Clamp Nut	Brass, nickel plated 1.78 µm
3	Dielectric	Delrin, white
4	Contact	Brass, gold plated 0.076 µm - 0.127 µm
5	Body	Brass, nickel plated 1.78 µm

Drawing Update	JT	2	12 May 10
First Issue	JW	1	13 June 06
DESCRIPTION OF REVISION	APPVD	ISS	DATE



Cinch Connectivity Solutions
 7-13 Russel Way,
 Widford Industrial Estate,
 Chelmsford, Essex,
 CM1 3AA, UK.
 Tel: +44 (0) 1245 359515
 Fax: +44 (0) 1245 358938

SCALE: Not To Scale

DIMENSIONS: mm

TOLERANCES:
 ± 0.2mm unless
 otherwise stated

DRAWN BY:

J Williams

CHECKED BY:

A Tusi

APPROVED BY:

M Terry

DATE:

13 Jun 06

TITLE:

BNC Clamp Plug for RA519

PART NUMBER:

VBS10-2021

PAGE: 1 of 1