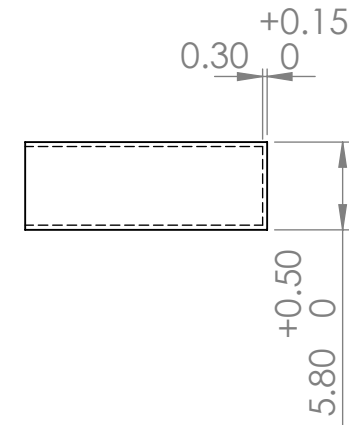
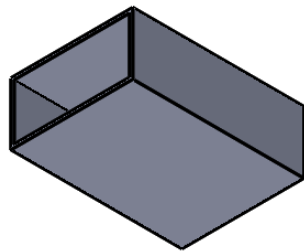
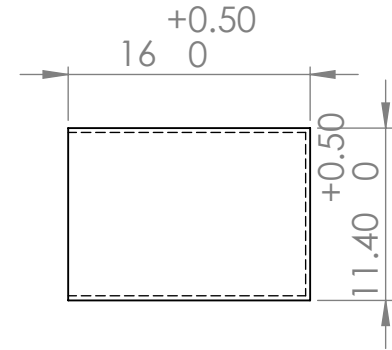
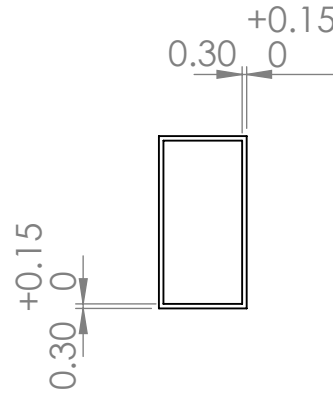


PROPRIETARY INFORMATION

This document contains proprietary information which is forwarded to you in confidence for a specific purpose. It should not be reproduced or transferred to other documents nor disclosed to others nor used for manufacturing or any other purposes without the prior written permission of European Thermodynamics Limited. It must be returned immediately upon request.

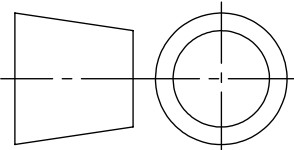
DRAWING SIZE

A4



DRAWN to BS308

3rd. Angle Projection



TOLERANCES UNLESS OTHERWISE STATED

METRIC : 1.000 +/- 0.01
 1.00 +/- 0.1
 1.0 +/- 0.2
 1 +/- 0.4

IMPERIAL : Fractional +/- 1/64"
 Decimal +/- 0.005

MATERIAL
Thermal Silicone

FINISH

ANGLES +/- 0.5°

Rev	A	B	C	D
Note				
Date				

DIMENSIONS IN MILLIMETRES UNLESS OTHERWISE STATED
 REMOVE ALL BURRS AND SHARP EDGES. DO NOT SCALE DRAWING (CAD Drg.)
 ALL MACHINED SURFACES SHOULD HAVE A SURFACE ROUGHNESS BETTER THAN CLA

Scale 2:1 DRAWN BY **A.Fulham** DATE **07/03/2014**

Ordering No. THINC22-T0220-16-11.4-5.8-0.3

t-Global Technology

TITLE
THINC22-T0220-16-11.4-5.8-0.3

Drg. No.



REVISION