

SAJ3 Series – Snap Action Switches

Applications

- Industry
- Common size
- Home Appliances
- White Goods
- Automation and process control
- Security
- Electronic equipment
-



TE Connectivity SAJ3 Series of Snap Action Switches offer flexibility through various combinations of lever styles. These switches are designed to convert a mechanical action in an electrical one. This makes them very suitable for applications such as Home Appliances and Factory Automation as well as other domestic and industrial uses.

TE's Snap Action switches are dimensionally identical with other popular brands, making them extremely suitable for use in existing designs. They are available with various contact styles to aid flexibility

Features

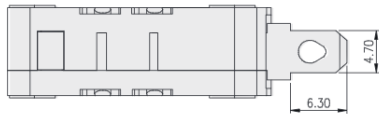
- Drop in for most common from factor
- Solder Terminals or Quick Connect
- Highly reliable with long operating life.

Specifications

Contact Rating	5A at 125/250VAC
Mechanical Durability	5,000,000 cycles min.
Electrical Durability	10,000 cycles min.
Contact Resistance	100mΩ MAX.
Insulation Resistance	100M Ω MIN.
Dielectric Strength	Between terminals of same polarity 600VAC (50Hz or 60Hz) shall be applied across terminals for 1 minute
	Between each terminal and ground" 1500VAC (50Hz or 60Hz) shall be applied across terminals from 1 minute
	Between each terminal and non-current-carrying metal parts 15000VAC (50Hz or 60Hz) shall be applied across terminals for 1 minute
Operating Temp.	-40°C - +85°C

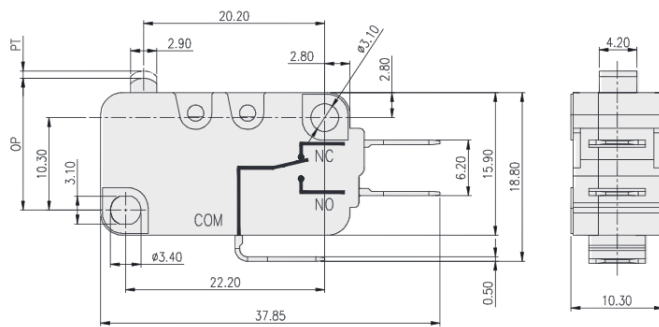
Mechanical Measurements

TE Smart Part Number: SAJ35XXPP0N49SDTSEQ

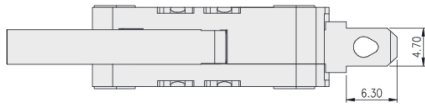


OPERATING CHARACTERISTICS

ITEM	SPEC.
OPERATING FORCE(OF)	50gf (0.49N) MAX.
RELEASE FORCE(RF)	5gf (0.05N) MIN.
PRETRAVEL(PT)	1.20mm MAX.
OVERTRAVEL(OT)	1.0mm MIN.
MOVEMENT DIFFERENTIAL(MD)	0.40mm MAX.
OPERATING POSITION(OP)	14.70±0.4mm

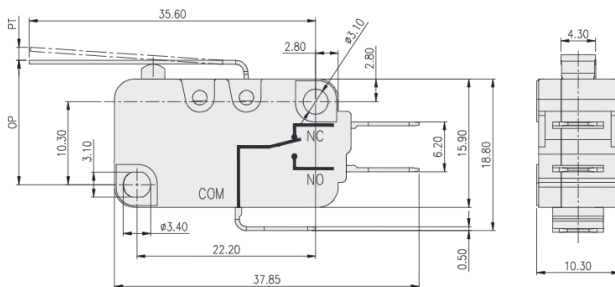


TE Smart Part Number: SAJ35XXHL0N49SDTSEQ



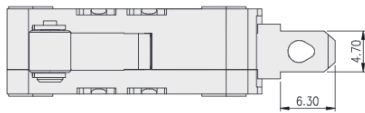
OPERATING CHARACTERISTICS

ITEM	SPEC.
OPERATING FORCE(OF)	30gf (0.29N) MAX.
OVERTRAVEL(OT)	1.60mm MIN.
MOVEMENT DIFFERENTIAL(MD)	0.80mm MAX.
OPERATING POSITION(OP)	15.20±1.20mm
PRETRAVEL(PT)	4.0mm MAX.



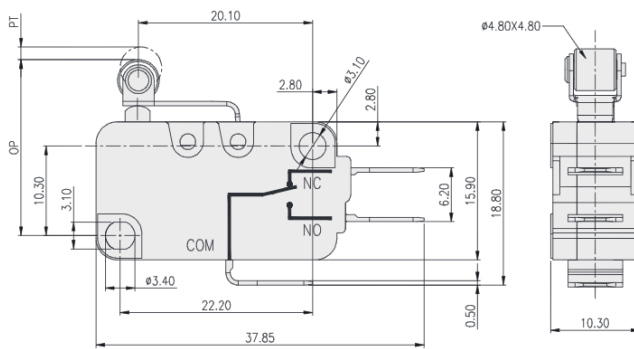
Mechanical Measurement

TE Smart Part Number: SAJ35XXSRLN49SDTSEQ

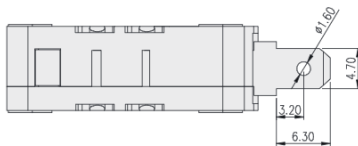


OPERATING CHARACTERISTICS

ITEM	SPEC.
OPERATING FORCE(OF)	60gf (0.59N) MAX.
RELEASE FORCE(RF)	4gf (0.04N) MIN.
PRETRAVEL(PT)	1.60mm MAX.
OVERTRAVEL(OT)	0.8mm MIN.
MOVEMENT DIFFERENTIAL(MD)	0.50mm MAX.
OPERATING POSITION(OP)	20.70±0.6mm

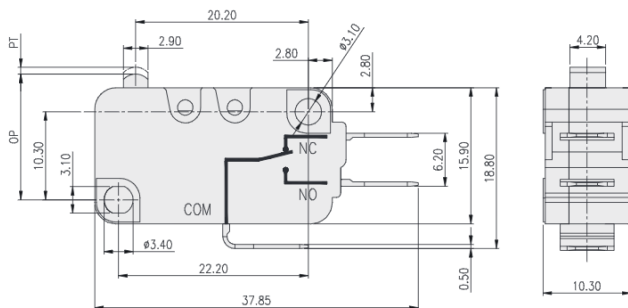


TE Smart Part Number: SAJ35XXPP0N49SDTFAQ



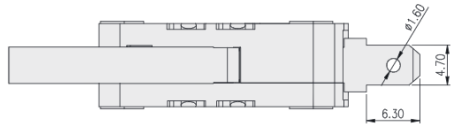
OPERATING CHARACTERISTICS

ITEM	SPEC.
OPERATING FORCE(OF)	50gf (0.49N) MAX.
RELEASE FORCE(RF)	5gf (0.05N) MIN.
PRETRAVEL(PT)	1.20mm MAX.
OVERTRAVEL(OT)	1.0mm MIN.
MOVEMENT DIFFERENTIAL(MD)	0.40mm MAX.
OPERATING POSITION(OP)	14.70±0.4mm



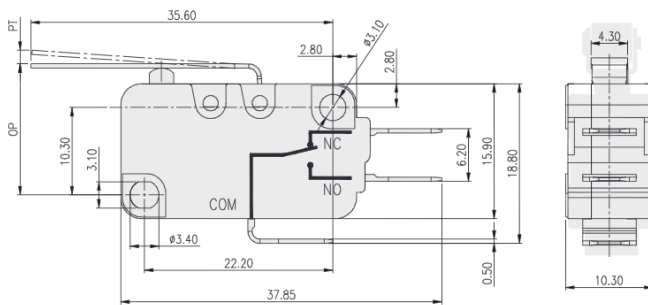
Mechanical Measurement

TE Smart Part Number: SAJ35XXHL0N49SDTFAQ

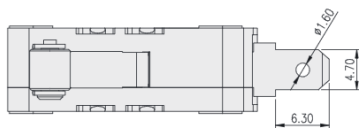


OPERATING CHARACTERISTICS

ITEM	SPEC.
OPERATING FORCE(OF)	30gf (0.29N) MAX.
OVERTRAVEL(OT)	1.60mm MIN.
MOVEMENT DIFFERENTIAL(MD)	0.80mm MAX.
OPERATING POSITION(OP)	15.20±1.20mm
PRETRAVEL(PT)	4.0mm MAX.

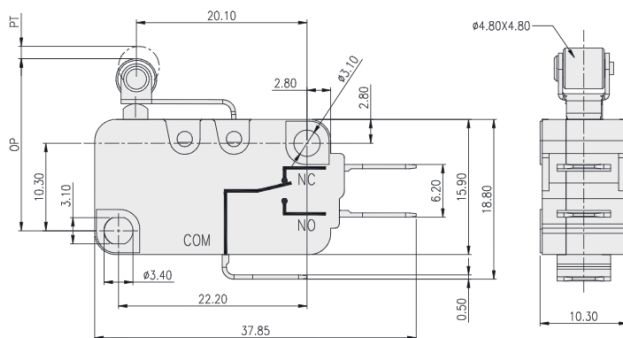


TE Smart Part Number: SAJ35XXSRLN49SDTFAQ

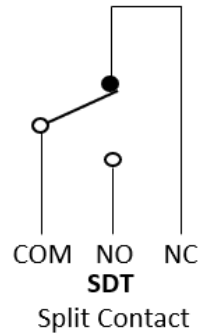


OPERATING CHARACTERISTICS

ITEM	SPEC.
OPERATING FORCE(OF)	60gf (0.59N) MAX.
RELEASE FORCE(RF)	4gf (0.04N) MIN.
PRETRAVEL(PT)	1.60mm MAX.
OVERTRAVEL(OT)	0.8mm MIN.
MOVEMENT DIFFERENTIAL(MD)	0.50mm MAX.
OPERATING POSITION(OP)	20.70±0.6mm



Circuit



How to Order

