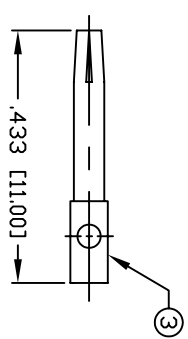
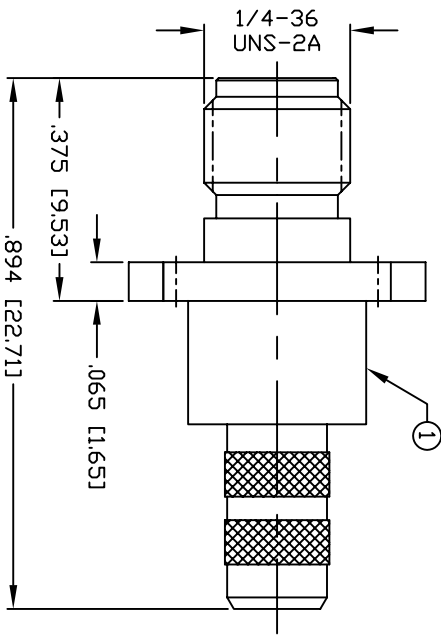
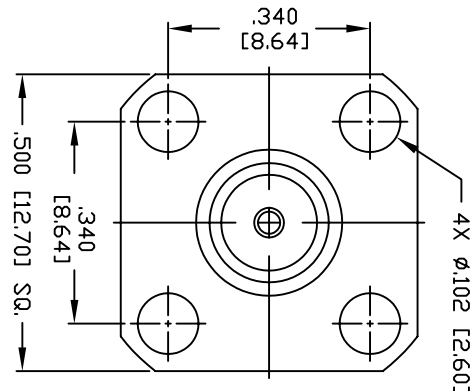
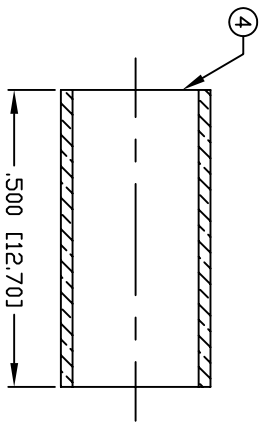


PART NO. **RSA-3270-C**

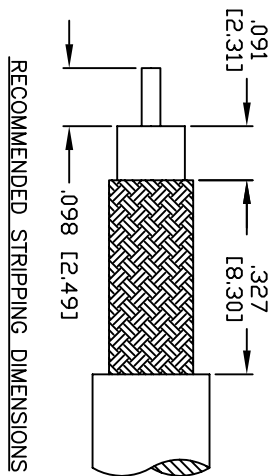
REV	DESCRIPTION	DWN	DATE	APPROVED
A	ENGINEERING RELEASE	WMD	12/02/93	C. JONES
B	UPDATED DWG. FORMAT & SPECS	CZS	02/20/08	JDMc



RECOMMENDED CRIMP DIE: .068"



RECOMMENDED CRIMP DIE: .213"



RECOMMENDED STRIPPING DIMENSIONS

SPECIFICATIONS:

IMPEDANCE: 50 Ohms
 FREQUENCY RANGE: 0-12.4 GHz
 INSERTION LOSS(DB): 0.06 x f(GHz)
 WORKING VOLTAGE: 500 V rms Max. @ Sea Level
 INSULATION RESISTANCE: 5k M Ohms min.
 TEMPERATURE RANGE: -65°C TO 165°C
 FOR RG-58, 58A, 58C, 141, 141A, BELDEN 8240, 9907
 8259, 8262, 9201, 9203, 9310, 9311 & COMM/SCOPE 0268

#	DESCRIPTION	QTY	MATERIAL	FINISH
1	BODY	1	BRASS	NICKEL, 100µ"
2	INSULATOR	1	PTFE	---
3	CONTACT	1	BeCu	GOLD, 50µ"
4	FERRULE	1	COPPER	NICKEL, 100µ"
5				
6				
7				
8				
9				
10				
11				
12				
13				
14				

APPROVALS	DATE
J. BENZ	12/01/93

ALL DIMENSIONS ARE REFERENCE ONLY

CUSTOMER OUTLINE DRAWING

ROHS COMPLIANT

THIS DRAWING CONTAINS INFORMATION PROPRIETARY TO RF INDUSTRIES. ANY UNAUTHORIZED USE OF THIS DRAWING IS EXPRESSLY PROHIBITED WITHOUT WRITTEN PERMISSION FROM RF INDUSTRIES. ANY VIOLATION IS PUNISHABLE UNDER U.S. COPYRIGHT LAWS.

RF connectors
 DIVISION OF RF INDUSTRIES, LTD.

SMA JACK, CRIMP
 FOUR HOLE FLANGE

7610 MIRAMAR RD
 SAN DIEGO, CA 92126
 (858) 549-6340
 (858) 549-6345 FAX

SIZE	CABLE GROUP	DWG NO.	REV
A	C	RSA-3270-C	B

SCALE: NTS ENGINEERING ID 008974 SHEET 1 OF 1