

6

5

4

3

2

1

TECHNICAL DATA

MATERIAL:
BODY: UL-CERTIFIED NYLON 6/6, 94V-2.
SEAL/GASKET: NEOPRENE/BUNA RUBBER

COLOR: BLACK RAL 9005

SEALING COMPLIANCE: IP-68

OPERATIONAL TEMPERATURE: -40°C TO +100°C

PROTECTS AGAINST: DUST, WATER, OIL PENETRATING

CABLE RANGE: 5mm TO 11mm

PANEL MOUNTING HOLE: 20.2mm

MAXIMUM RECOMMENDED PANEL THICKNESS: 2.3mm
(THICKER PANELS MAY BE USED, BUT NEED TO BE TESTED AND VERIFIED BY INSTALLER)

TORQUE LOCK NUT TO 6 ± 1 in-lbf

REVISIONS					
REV.	ECR#	ZONE	DESCRIPTION	CHANGED BY/DATE	APPROVED BY/DATE
AA			INITIAL RELEASE	S.J. 10/11/2010	S.J. 10/11/2010
AB	MAN-4439		ADDED NUT TORQUE SPEC	WAL 10/11/2011	

D

D

C

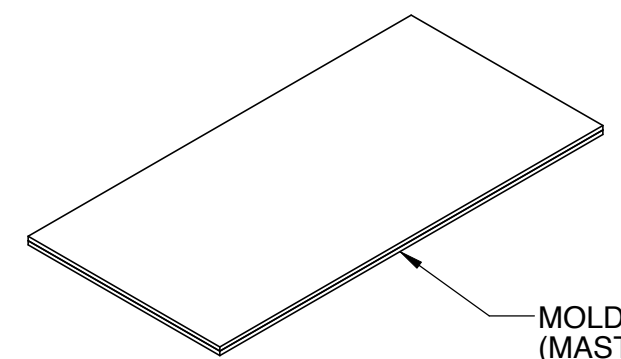
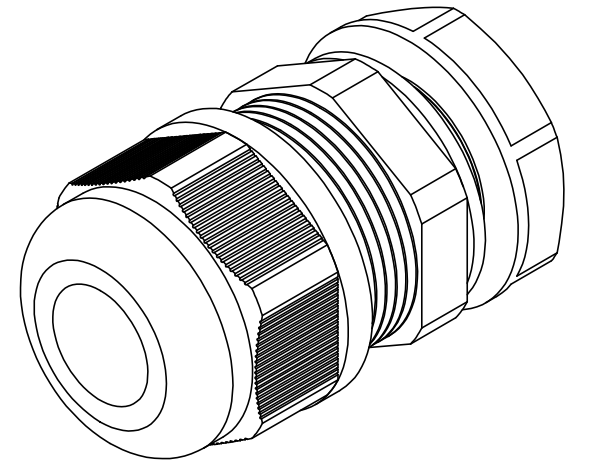
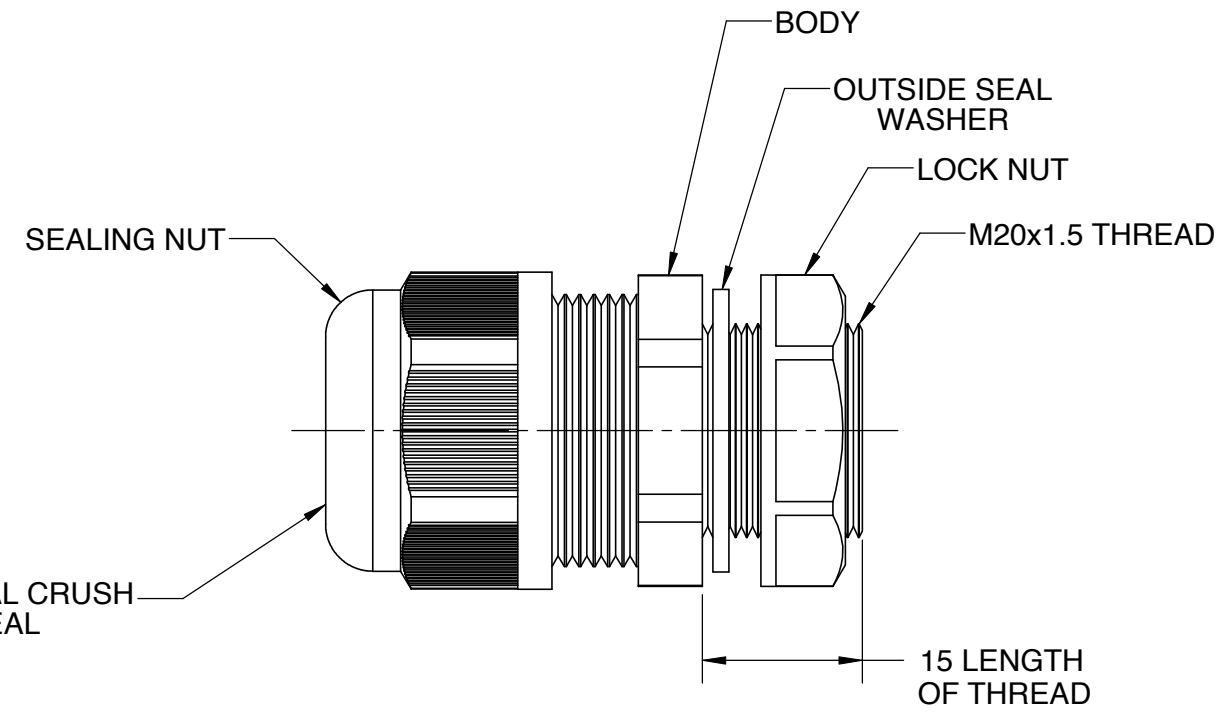
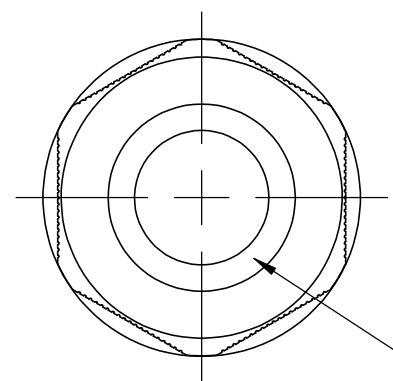
C

B

B

A

A



MATERIAL: N/A		THIRD ANGLE PROJECTION			
FINISH: N/A		DO NOT SCALE DRAWING			
APPROVALS		DATE		<p>INTERPRET DIMENSIONING AND TOLERANCING IN ACCORDANCE WITH ASME Y14.5M-2009</p> <p>TOLERANCES UNLESS OTHERWISE SPECIFIED</p> <p>DIMENSIONS ARE IN MILLIMETERS</p>	
DRAWN BY	S. JOHNSON	10/11/10			
PROJ. ENG.	R. CHICOINE	10/11/10			
APPL. MECH.	K. SEARL	10/12/10			
MFG.	I. CHICKLIS	10/11/10		ANGLE: 0 PLACE DECIMAL: ±0.5 1 PLACE DECIMAL: ±0.25 2 PLACE DECIMAL: ±0.13	SIZE A3
SURFACE ROUGHNESS $1.6 \sqrt{\text{ }}$		SCALE: 1.5:1		PREVIOUS#	
THIS DRAWING IS UNPUBLISHED.		RELEASED FOR PUBLICATION		DWG. NO. RJ45-FTMO	
© Copyright 2022 TE Connectivity Ltd.		ALL RIGHTS RESERVED.		REV AB	
				SHEET 1 OF 1	

6

5

4

3

2

1