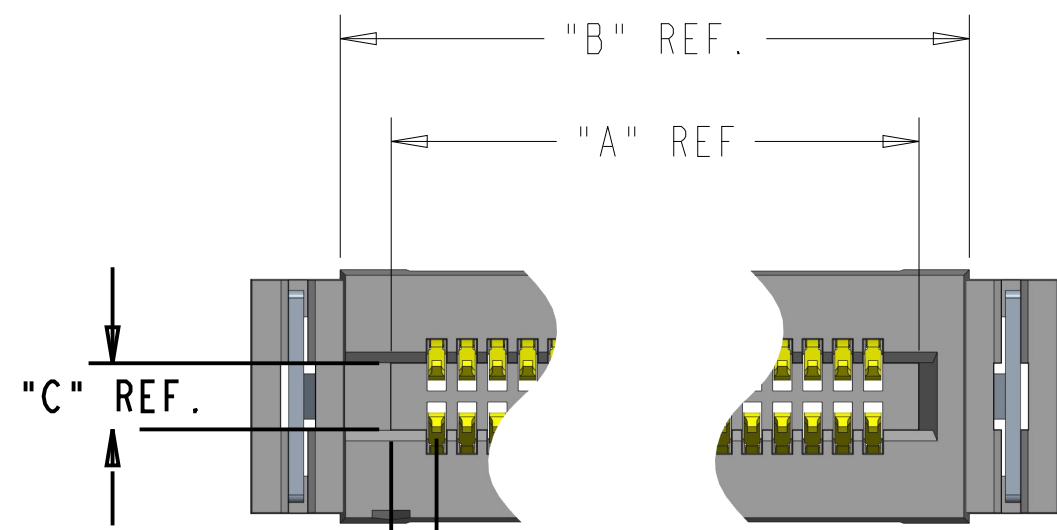
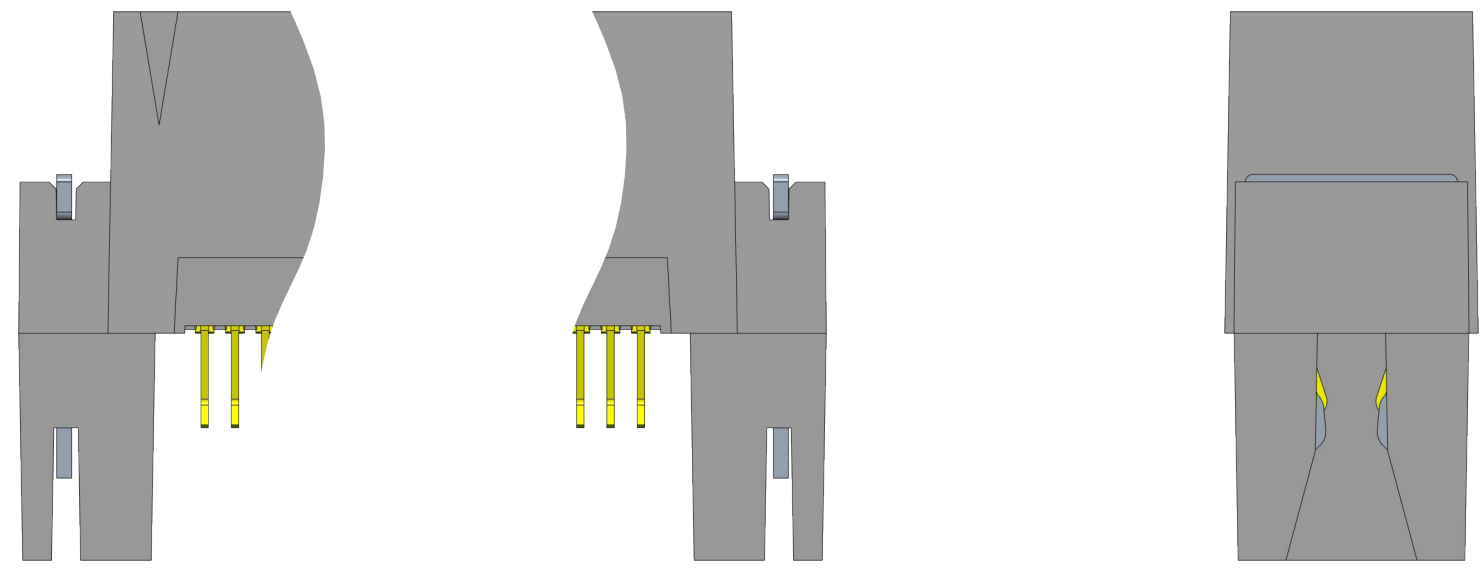
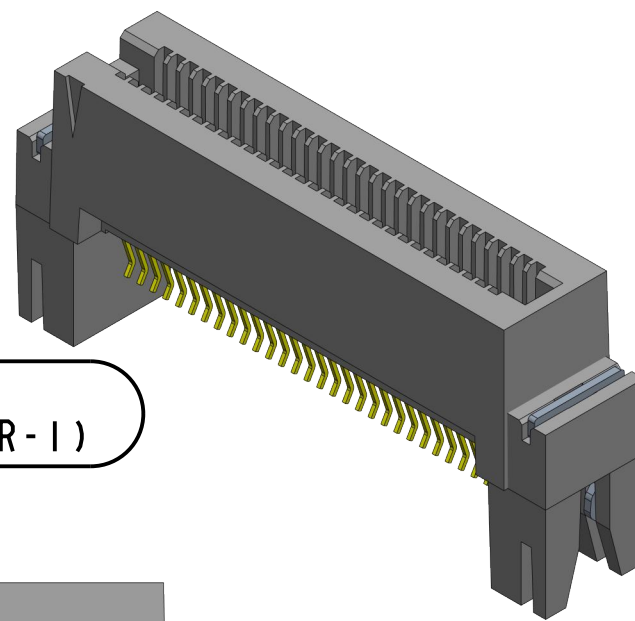


| REVISION HISTORY |     |                     |          |          |           |
|------------------|-----|---------------------|----------|----------|-----------|
| ECO              | REV | DESCRIPTION         | DRAWN BY | APPROVAL | DATE      |
| -                | A   | INITIAL RELEASE     | K FISHER | S MURPHY | JAN-23-19 |
| -                | F   | ADD EXT. CONN. DIMS | K FISHER | EMAD S   | APR-24-20 |



$1.2 \pm 0.08$   
PIN LOCATION =  $1.2 + .8 * (\text{POSITION NUMBER} - 1)$



MBB-XX-XX-XX-30-XX  
MBB = BLACK MAMBA BOARD MOUNT CONNECTOR

MOUNTING TYPE:  
VERTICAL MOUNT=VM  
EDGE MOUNT=EM

# OF POSITIONS  
EX: 10, 20, 30

PCB THICKNESS  
62 = 0.062" NOMINAL  
93 = 0.093" NOMINAL

CONTACT GOLD PLATING THICKNESS  
30 = 30 MICRO INCH MIN.

ADTL. MOUNTING AIDES:  
00 = ALIGNMENT PINS  
01 = NO ALIGNMENT PINS, NO SOLDER TAB  
ST = SOLDER TAB

| MBB PART NUMBER    |
|--------------------|
| MBB-VM-10-62-30-00 |
| MBB-VM-10-62-30-01 |
| MBB-VM-10-62-30-ST |
| MBB-EM-10-62-30-ST |
| MBB-VM-10-93-30-00 |
| MBB-VM-10-93-30-01 |
| MBB-VM-10-93-30-ST |
| MBB-EM-10-93-30-ST |
| MBB-VM-20-62-30-00 |
| MBB-VM-20-62-30-01 |
| MBB-VM-20-62-30-ST |
| MBB-EM-20-62-30-ST |
| MBB-VM-20-93-30-00 |
| MBB-VM-20-93-30-01 |
| MBB-VM-20-93-30-ST |
| MBB-EM-20-93-30-ST |
| MBB-VM-30-62-30-00 |
| MBB-VM-30-62-30-01 |
| MBB-VM-30-62-30-ST |
| MBB-EM-30-62-30-ST |
| MBB-VM-30-93-30-00 |
| MBB-VM-30-93-30-01 |
| MBB-VM-30-93-30-ST |
| MBB-EM-30-93-30-ST |

| PCB Thickness | # Positions | "A"  | "B"  | "C"  | "D"  | "H"  | "M"  | "S"  | "T" |
|---------------|-------------|------|------|------|------|------|------|------|-----|
| 62            | 10          | 9.6  | 12.3 | 1.75 | 3.0  | 1.49 | 14.6 | 12.3 | 17  |
| 62            | 20          | 17.6 | 20.3 | 1.75 | 3.0  | 1.49 | 22.6 | 20.3 | 25  |
| 62            | 30          | 25.6 | 28.3 | 1.75 | 3.0  | 1.49 | 30.6 | 28.3 | 33  |
| 93            | 10          | 9.6  | 12.3 | 2.63 | 3.78 | 2.24 | 14.6 | 12.3 | 17  |
| 93            | 20          | 17.6 | 20.3 | 2.63 | 3.78 | 2.24 | 22.6 | 20.3 | 25  |
| 93            | 30          | 25.6 | 28.3 | 2.63 | 3.78 | 2.24 | 30.6 | 28.3 | 33  |

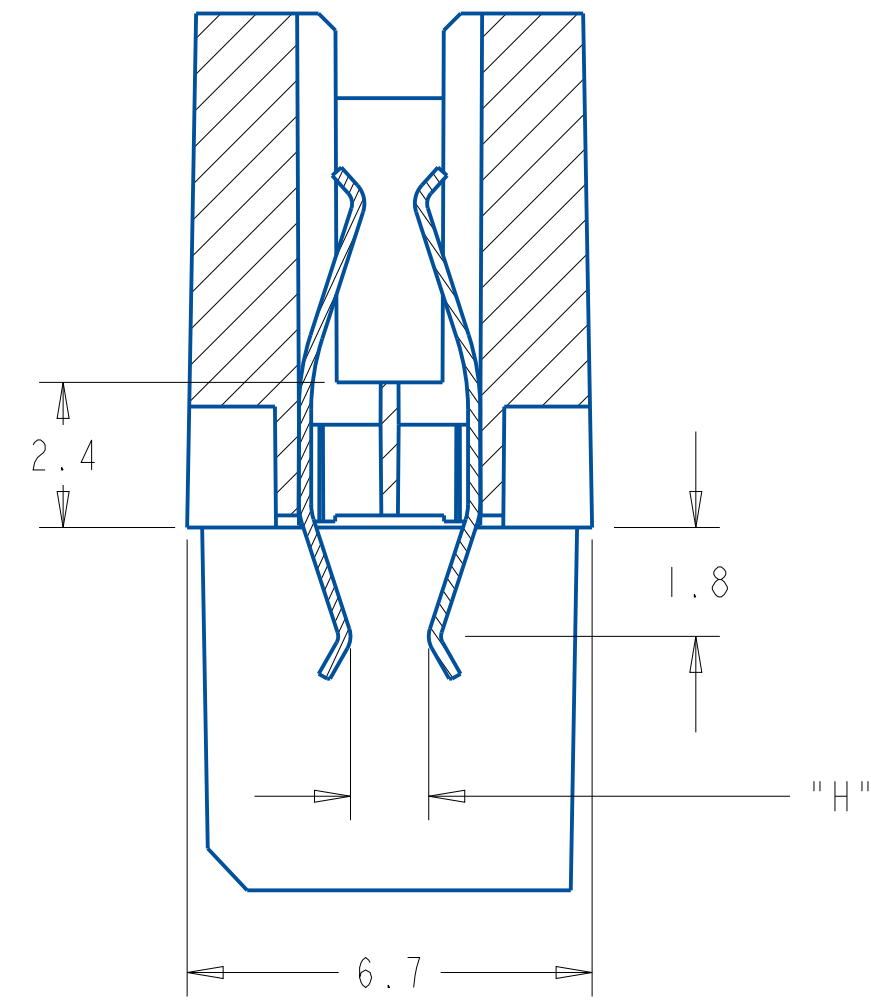
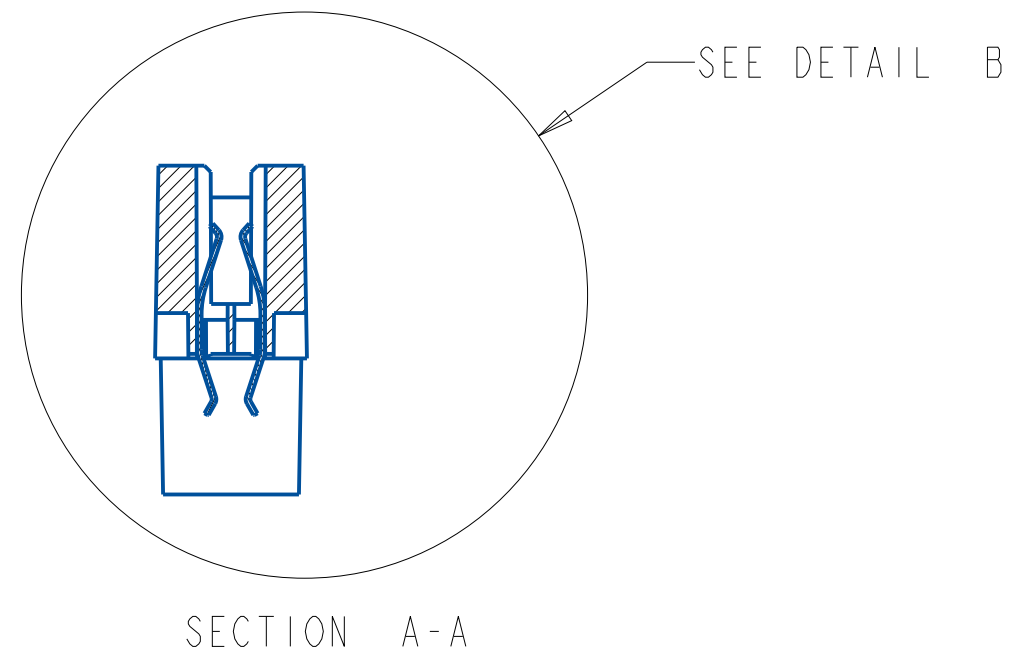
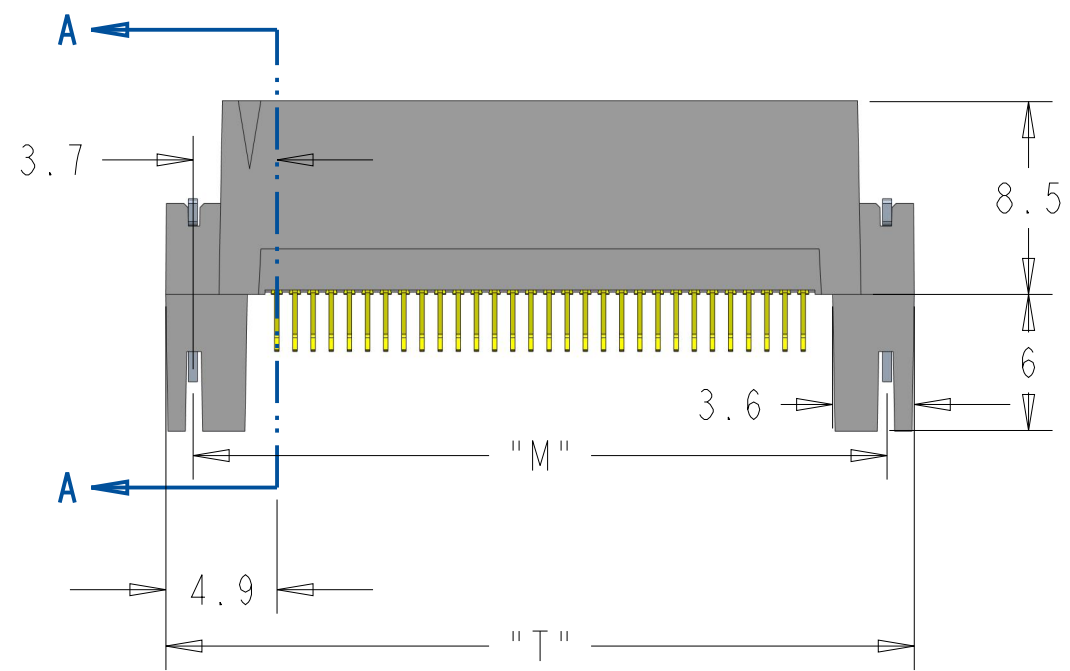
NOTES: UNLESS OTHERWISE SPECIFIED  
1. DIMENSIONING AND TOLERANCES PER ASME Y14.5 2010  
2. DIMENSIONS CONTAINED WITHIN  $\varnothing$  ARE CRITICAL TO THE FUNCTION OF THE PART/ASSEMBLY

THE INFORMATION CONTAINED HEREIN IS PROPRIETARY TO CARLISLE, INC. AND SHALL IN NO WAY BE REPRODUCED OR DISCLOSED IN WHOLE OR IN PART OR USED FOR ANY DESIGN OR MANUFACTURE EXCEPT WHEN SUCH USER POSSESSES DIRECT, WRITTEN AUTHORIZATION FROM CARLISLE, INC.



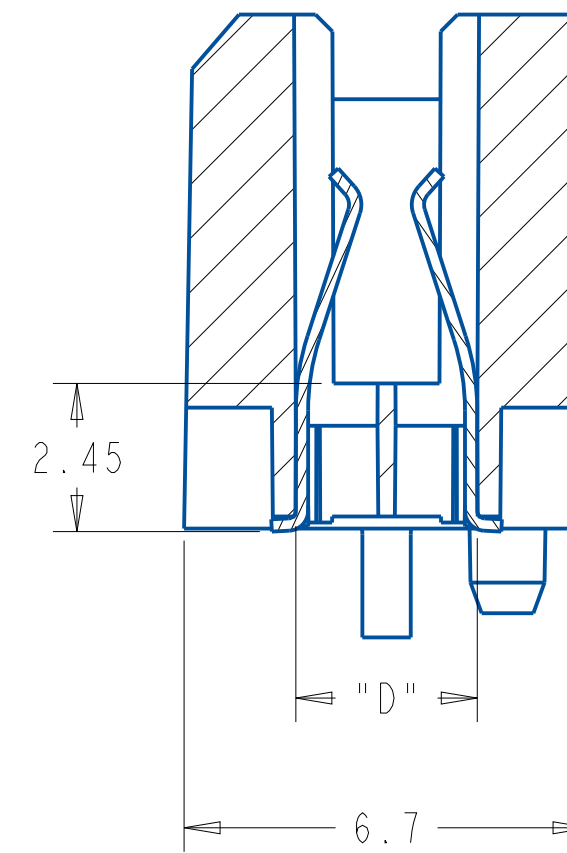
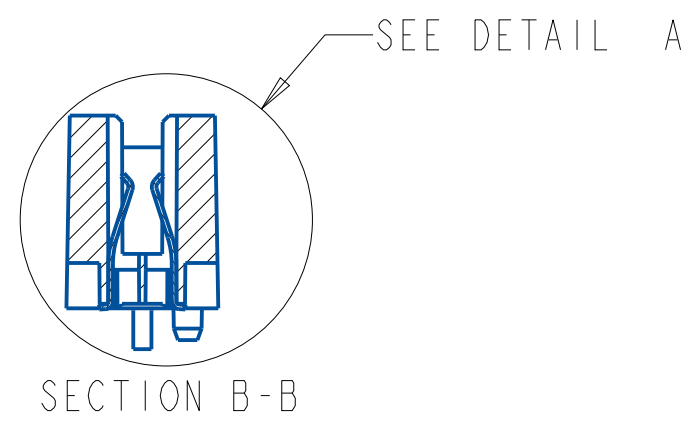
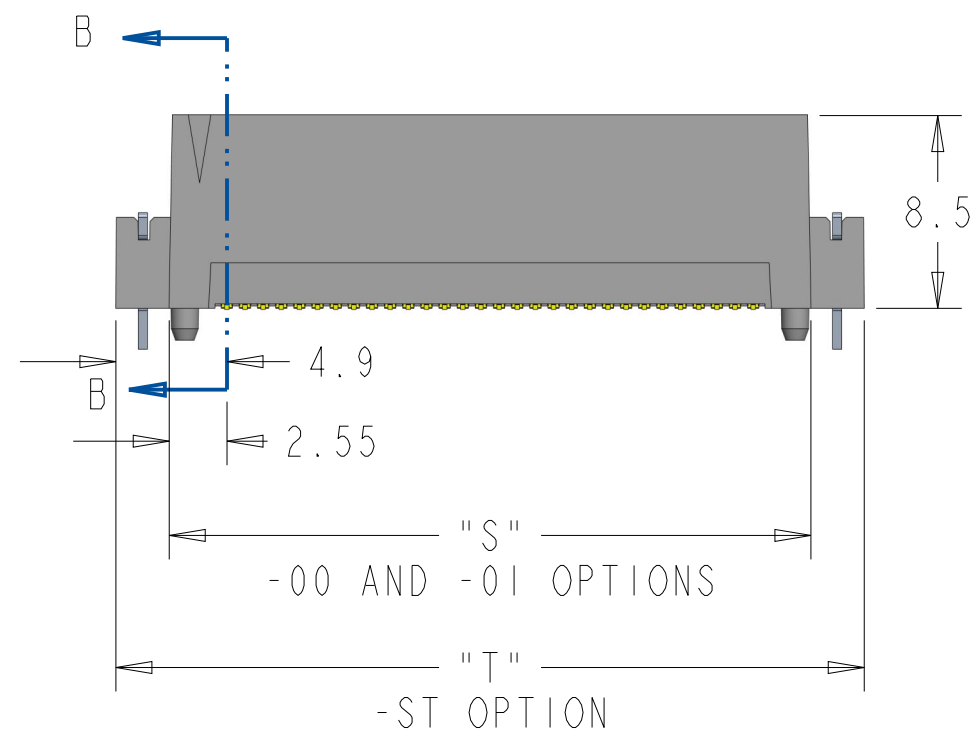
|   |  |       |   |                  |                           |
|---|--|-------|---|------------------|---------------------------|
| <small>UNLESS OTHERWISE SPECIFIED ALL DIMENSIONS ARE IN MILLIMETERS. TOLERANCES ARE:<br/>X.X +/- 0.1<br/>X.XX +/- 0.05<br/>ANG +/- .1</small> | THIRD ANGLE PROJECTION   |       | <br>www.carlisleit.com                  |                  |                           |
|   | CHECKED: S MURPHY Jan-23-19<br>DESIGNED: K FISHER Jun-20-18<br>PRODUCT: E SOUBH Jan-23-19<br>QUALITY: R BEDIENT Jan-23-19<br>MFG: K FISHER Jan-23-18 |       | TITLE<br><b>MBB CARD EDGE CONNECTOR</b> | SIZE<br><b>C</b> | CAGE CODE<br><b>7M294</b> |
| DO NOT SCALE DRAWING  | SCALE  | 5.000 | DRAWING NBR                             | 1 of 6           |                           |

MOUNTING TYPE:  
EDGE MOUNT = EM



DETAIL B  
SCALE 8.000

MOUNTING TYPE:  
VERTICAL MOUNT = VM



DETAIL A  
SCALE 8.000

THE INFORMATION CONTAINED HEREIN IS PROPRIETARY TO CARLISLE, INC. AND SHALL IN NO WAY BE REPRODUCED OR DISCLOSED IN WHOLE OR IN PART OR USED FOR ANY DESIGN OR MANUFACTURE EXCEPT WHEN SUCH USER POSSESSES DIRECT, WRITTEN AUTHORIZATION FROM CARLISLE, INC.

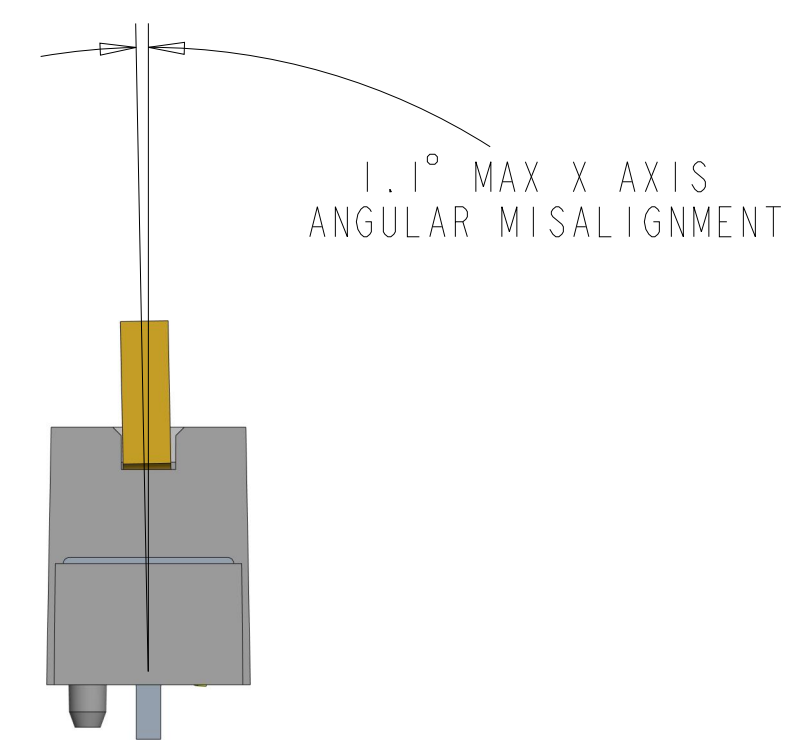
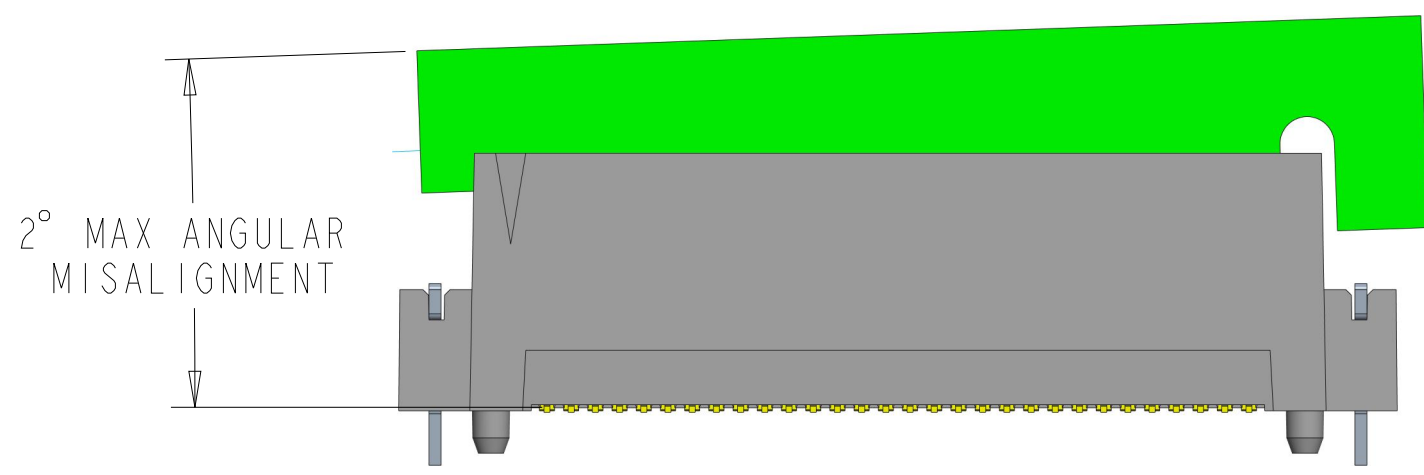


TITLE  
MBB CARD EDGE CONNECTOR

| SIZE  | CAGE CODE | CARLISLE NUMBER    | REV    |
|-------|-----------|--------------------|--------|
| C     | 7M294     | MBB-XM-XX-XX-30-XX | F      |
| SCALE | 3.000     | DRAWING NBR        | 2 of 6 |

D

D

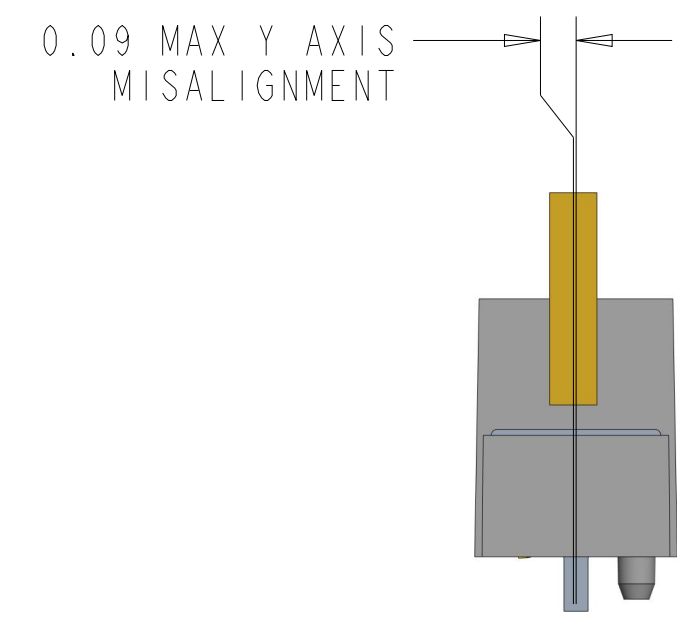
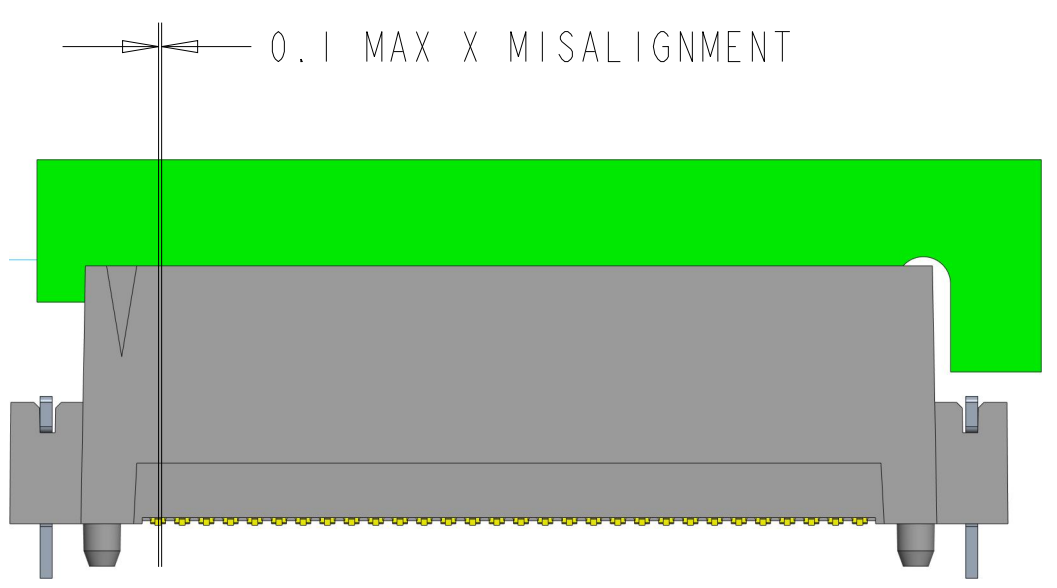


C

C

B

B



A

A

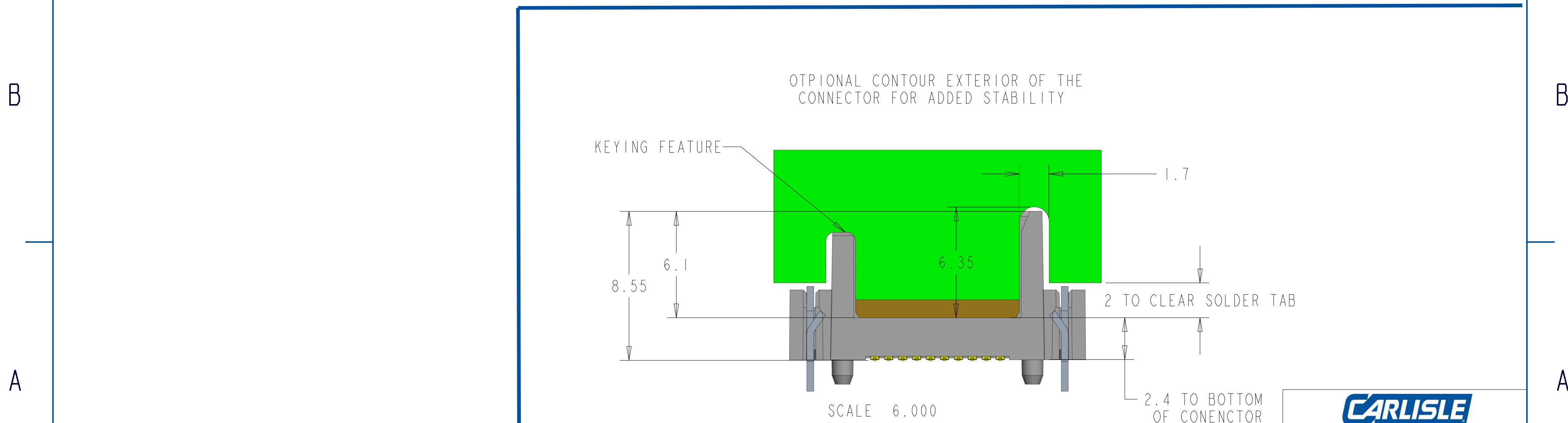
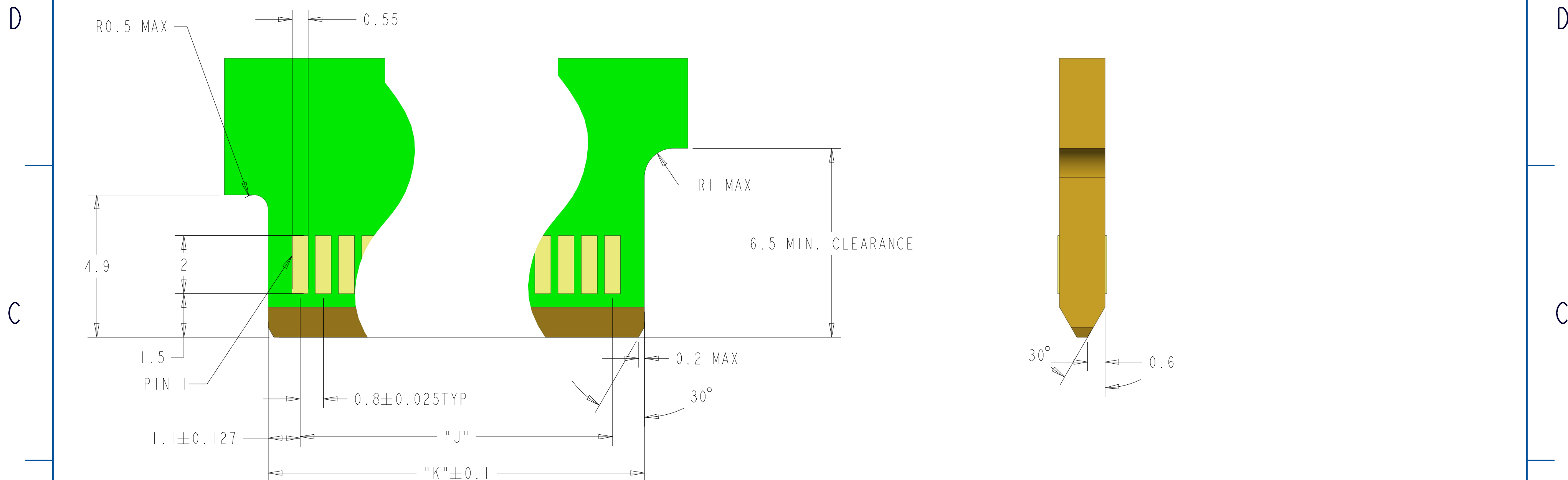
THE INFORMATION CONTAINED HEREIN IS PROPRIETARY TO CARLISLE, INC. AND SHALL IN NO WAY BE REPRODUCED OR DISCLOSED IN WHOLE OR IN PART OR USED FOR ANY DESIGN OR MANUFACTURE EXCEPT WHEN SUCH USER POSSESSES DIRECT, WRITTEN AUTHORIZATION FROM CARLISLE, INC.



|   |              |                           |          |
|---|--------------|---------------------------|----------|
| <b>CARLISLE</b><br><small>INTERCONNECT TECHNOLOGIES</small><br><a href="http://www.carlisleit.com">www.carlisleit.com</a> |              |                           |          |
| TITLE <b>MBB ALIGNMENT</b>  |              |                           |          |
| SIZE  | CAGE CODE    | CARLISLE NUMBER           | REV      |
| <b>C</b>  | <b>7M294</b> | <b>MBB-XM-XX-XX-30-XX</b> | <b>F</b> |
| SCALE   | DRAWING NBR  |                           | 3 of 6   |
| 1.000   |              |                           |          |

| PCB THICKNESS | MAX.           | MIN.           |
|---------------|----------------|----------------|
| 1.57 (0.062") | 1.73(0.0681")  | 1.46 (0.0575") |
| 2.36 (0.093") | 2.51 (0.0988") | 2.32 (0.0913") |

| TABLE 2     |      |       |
|-------------|------|-------|
| # POSITIONS | "J"  | "K"   |
| 10          | 7.2  | 9.40  |
| 20          | 15.2 | 17.40 |
| 30          | 23.2 | 25.40 |



THE INFORMATION CONTAINED HEREIN IS PROPRIETARY TO CARLISLE, INC. AND SHALL IN NO WAY BE REPRODUCED OR DISCLOSED IN WHOLE OR IN PART OR USED FOR ANY DESIGN OR MANUFACTURE EXCEPT WHEN SUCH USER POSSESSES DIRECT, WRITTEN AUTHORIZATION FROM CARLISLE, INC.

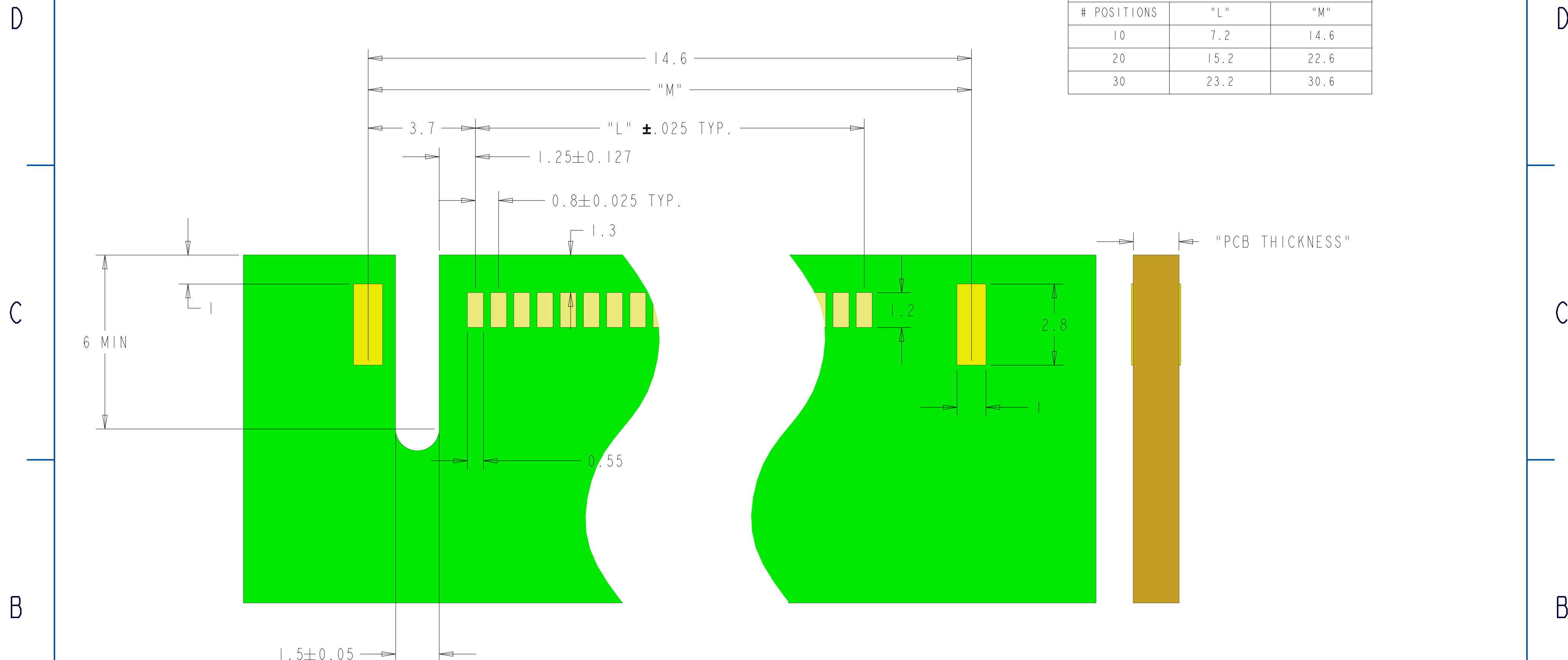


TITLE  
**MBB PADDLE CARD (AIC)**

| SIZE     | CAGE CODE    | CARLISLE NUMBER           | REV      |
|----------|--------------|---------------------------|----------|
| <b>C</b> | <b>7M294</b> | <b>MBB-XM-XX-XX-30-XX</b> | <b>F</b> |
| SCALE    | 10.000       | DRAWING NBR               | 4 of 6   |

| PCB THICKNESS | MAX            | MIN            |
|---------------|----------------|----------------|
| 1.57 (0.062") | 1.73(0.0681")  | 1.46 (0.0575") |
| 2.36 (0.093") | 2.51 (0.0988") | 2.32 (0.0913") |

| # POSITIONS | "L"  | "M"  |
|-------------|------|------|
| 10          | 7.2  | 14.6 |
| 20          | 15.2 | 22.6 |
| 30          | 23.2 | 30.6 |



THE INFORMATION CONTAINED HEREIN IS PROPRIETARY TO CARLISLE, INC. AND SHALL IN NO WAY BE REPRODUCED OR DISCLOSED IN WHOLE OR IN PART OR USED FOR ANY DESIGN OR MANUFACTURE EXCEPT WHEN SUCH USER POSSESSES DIRECT, WRITTEN AUTHORIZATION FROM CARLISLE, INC.

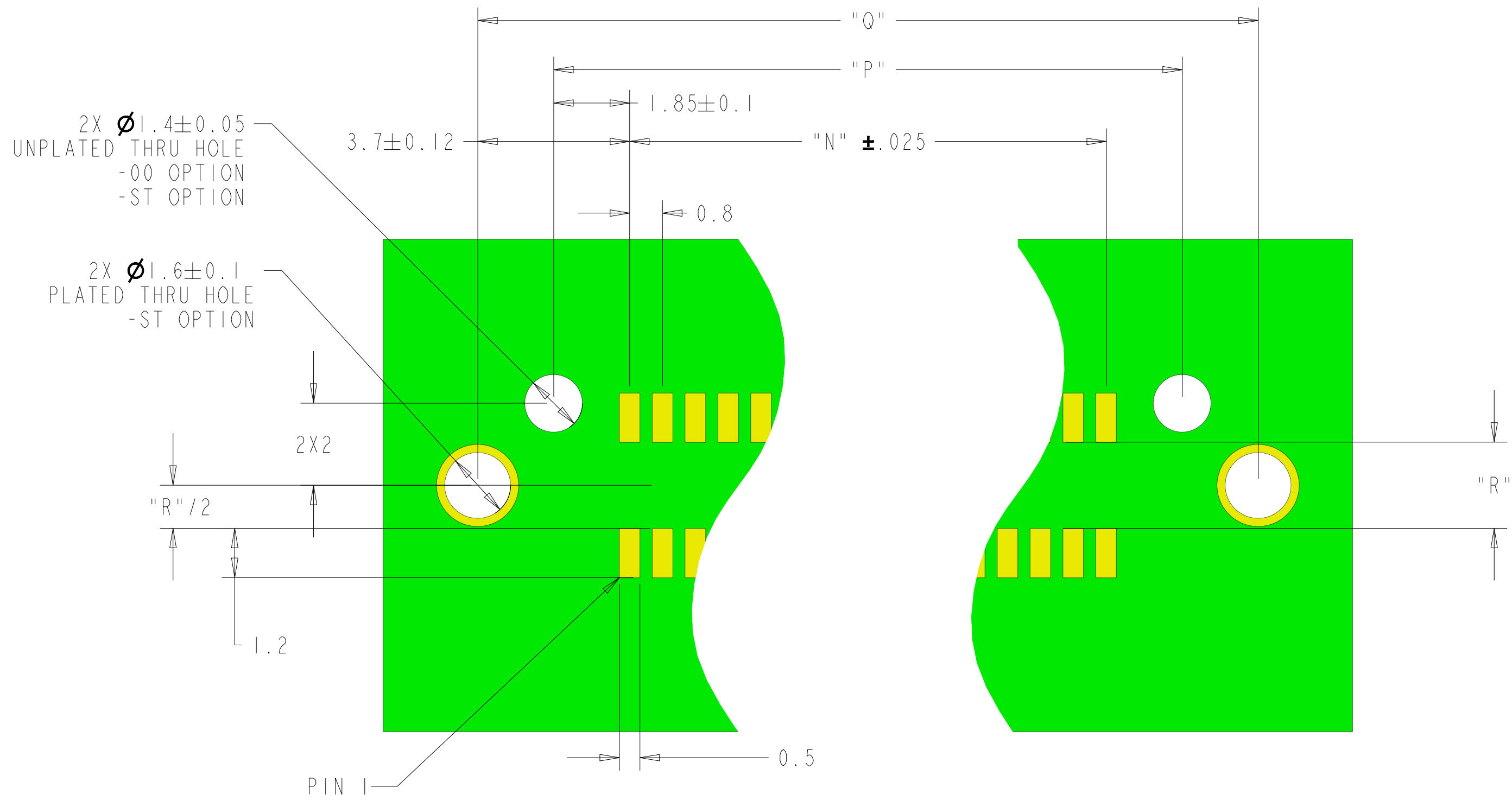


**CARLISLE**  
INTERCONNECT TECHNOLOGIES  
www.carlisleit.com

TITLE  
**MBB EM BOARD**

|                        |                           |  |                 |
|------------------------|---------------------------|--|-----------------|
| SIZE<br><b>C</b>       | CAGE CODE<br><b>7M294</b> | CARLISLE NUMBER<br><b>MBB-XM-XX-XX-30-XX</b> | REV<br><b>F</b> |
| SCALE<br><b>10.000</b> | DRAWING NBR               |  | <b>5 of 6</b>   |

| TABLE 4                     |             |      |      |                         |     |
|-----------------------------|-------------|------|------|-------------------------|-----|
| Paddle Card (AIC) Thickness | # POSITIONS | "N"  | "P"  | "Q"<br>-ST OPOTION ONLY | "R" |
| 62                          | 10          | 7.2  | 10.9 | 14.6                    | 2.1 |
| 62                          | 20          | 15.2 | 18.9 | 22.6                    | 2.1 |
| 62                          | 30          | 23.2 | 26.9 | 30.6                    | 2.1 |
| 93                          | 10          | 7.2  | 10.9 | 14.6                    | 2.9 |
| 93                          | 20          | 15.2 | 18.9 | 22.6                    | 2.9 |
| 93                          | 30          | 23.2 | 26.9 | 30.6                    | 2.9 |



THE INFORMATION CONTAINED HEREIN IS PROPRIETARY TO CARLISLE, INC. AND SHALL IN NO WAY BE REPRODUCED OR DISCLOSED IN WHOLE OR IN PART OR USED FOR ANY DESIGN OR MANUFACTURE EXCEPT WHEN SUCH USER POSSESSES DIRECT, WRITTEN AUTHORIZATION FROM CARLISLE, INC.



**CARLISLE**  
INTERCONNECT TECHNOLOGIES  
www.carlisleit.com

TITLE  
**MBB VM BOARD**

|                        |                           |  |                 |
|------------------------|---------------------------|--|-----------------|
| SIZE<br><b>C</b>       | CAGE CODE<br><b>7M294</b> | CARLISLE NUMBER<br><b>MBB-XM-XX-XX-30-XX</b> | REV<br><b>F</b> |
| SCALE<br><b>10.000</b> | DRAWING NBR               |  | <b>6 of 6</b>   |