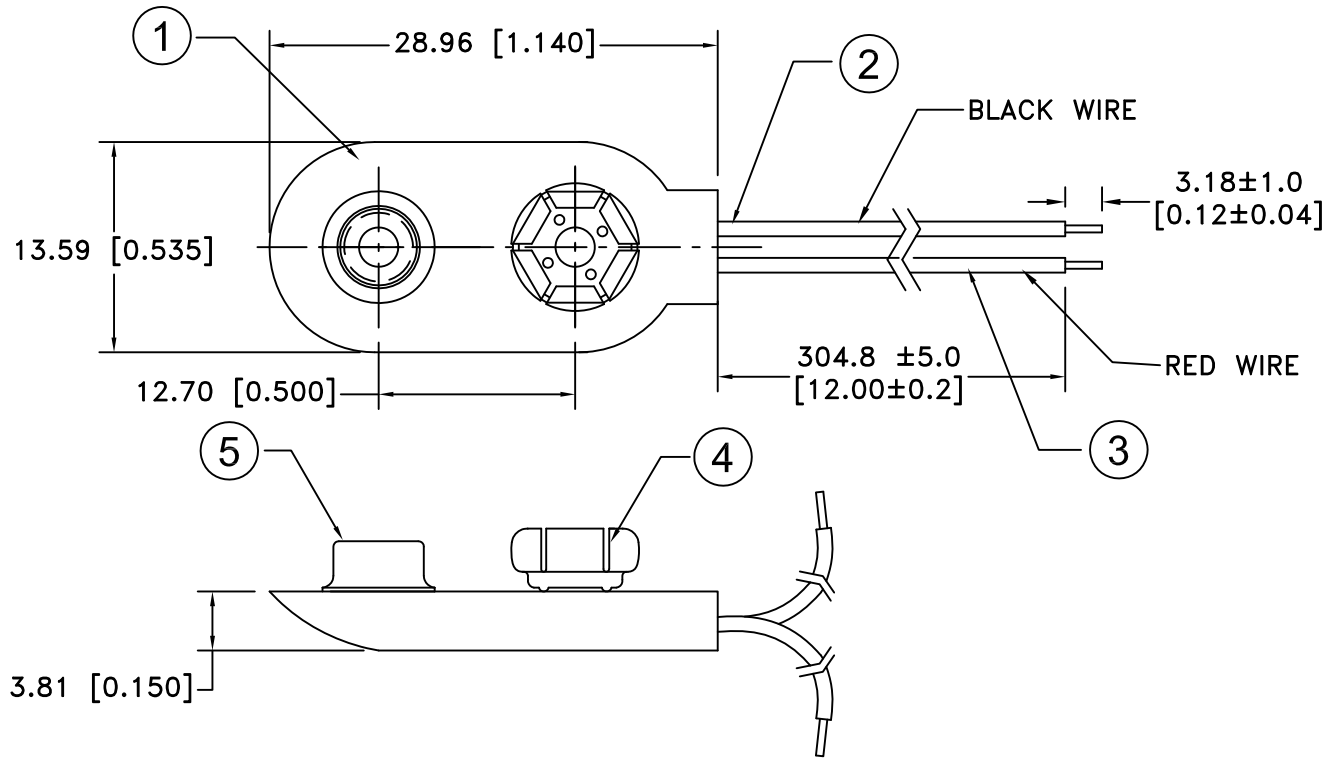



Date	SYM	REVISION RECORD	AUTH	DR.	CK.
10/03/14	A	UPDATED TO ROHS 2 COMPLIANT	T.B.	B.S.	



ROHS 2 COMPLIANT

N0.	PART NAME	MATERIAL	QTY.	Tolerance (Except as noted)	 <b>Memory Protection Devices, Inc</b> 200 Broad Hollow Road, Farmingdale, New York 11735		
1	COVER	PVC COVER OVER FIBERBOARD	1	decimal $\pm .5$ (.020) Fractional $\pm .8$ (.030) Angular $\pm 3^\circ$	Scale	Drawn By B.S.	
2	BLACK WIRE(-)	22 AWG, UL-1007, CSA TR-64, 300V, 80°C	1			Approved By T.B.	
3	RED WIRE (+)	22 AWG, UL-1007, CSA TR-64, 300V, 80°C	1		Title 9 VOLT BATTERY SNAP-I STYLE-12" WIRE LEADS, 22 AWG		
4	FEMALE SNAP	BRASS, NICKLE PLATED	1				
5	MALE SNAP	BRASS NICKLE PLATED	1				
				Date	Drawing Number		
				10/03/14	BS12I-22		