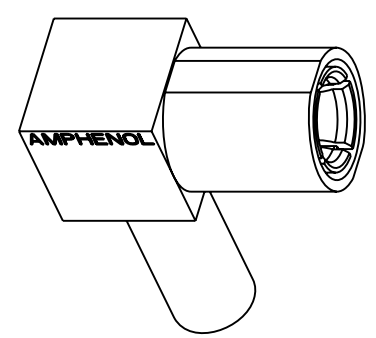


NOTES:

1. MATERIALS AND FINISHES:  
 BODY- ZAMAK 3, GOLD PLATING  
 OUTER CONTACT, CAP- BRASS, GOLD PLATING  
 CONTACT - BERYLLIUM COPPER, GOLD PLATING  
 INSULATOR - PTFE, NATURAL
2. ELECTRICAL:  
 A. IMPEDANCE: 50 OHM  
 B. FREQUENCY RANGE: DC 0-4 GHz  
 C. VSWR(RETURN LOSS): 1.5, MAX.  
 D. DIELECTRIC WITHSTANDING VOLTAGE: 1000 VRMS, MIN.
3. MECHANICAL:  
 A. DURABILITY: 500 CYCLES MIN.  
 B. TEMPERATURE RANGE: -65° C TO +165° C
4. CRIMPED FERRULE  
 HEX CRIMP SIZE .128"
5. CONTACT PIN TO SOLDER

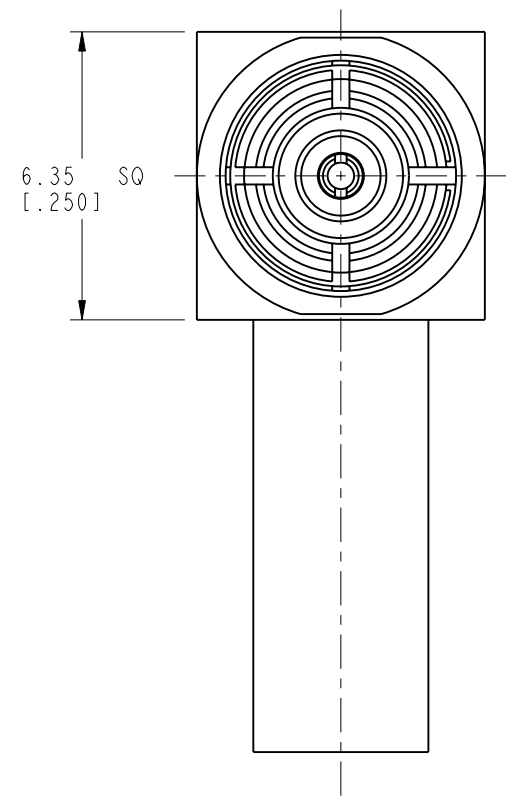
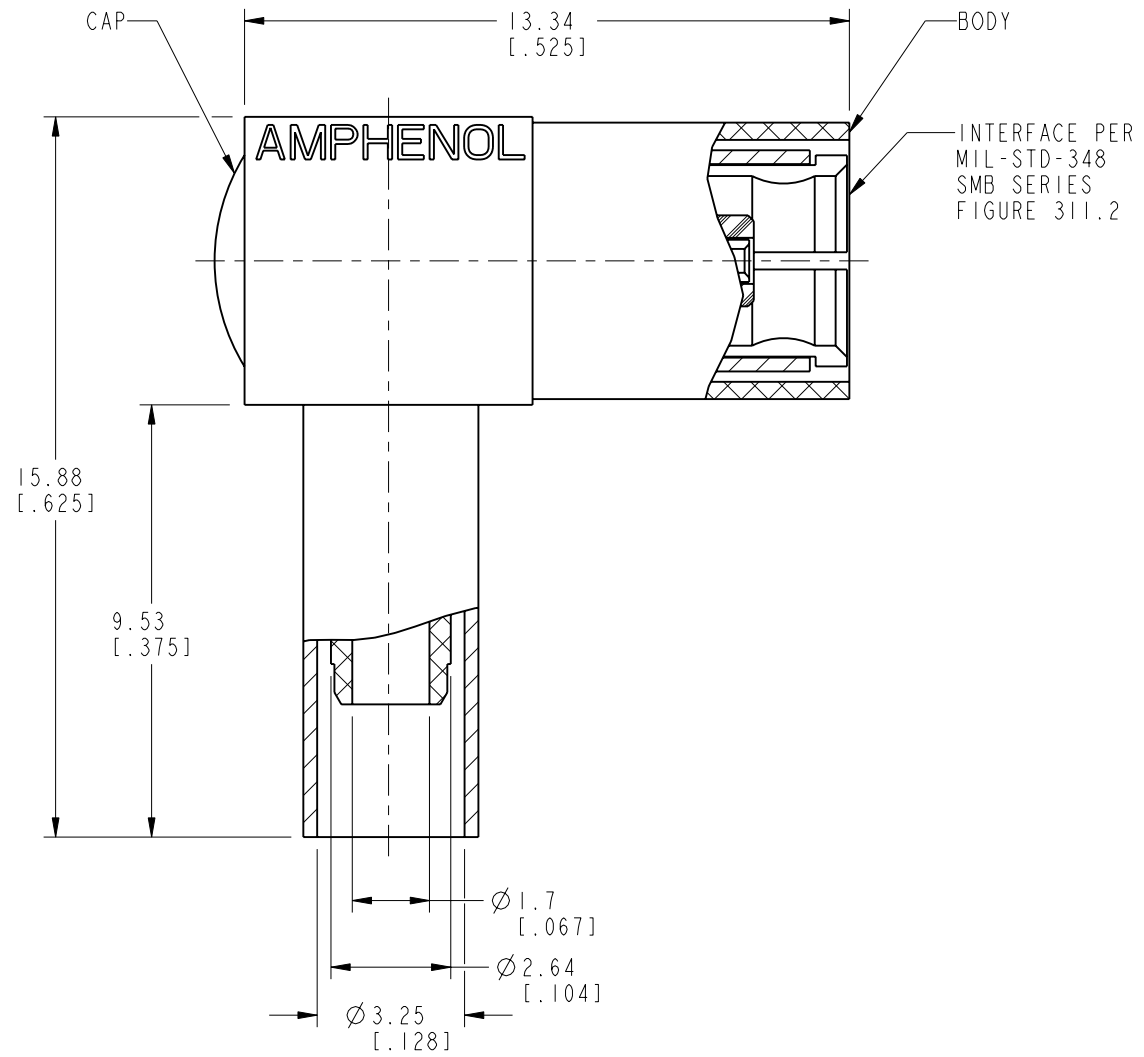
THIRD ANGLE PROJ.



SCALE 3.000

REVISIONS

REV	DESCRIPTION	DATE	ECO	APPR
A	RELEASE TO MFG.	13-Jun-94	39999	PB/RAV
C	CAP AND BODY WERE CHANGED \RD-DM110301011	15-Mar-11	48113	SH
D	UPDATED PLATING CODES \RD-DM15122101S2	31-Dec-15	50808	MJD
E	ADDED THE BOM FOR CHINA	24-Oct-17	05562	SH



**CUSTOMER OUTLINE DRAWING**  
 ALL OTHER SHEETS ARE FOR INTERNAL USE ONLY

UNLESS OTHERWISE SPECIFIED, DIMENSIONS ARE IN METRIC AND TOLERANCES ARE: <0.5mm ±0.05mm    0.5 - 6mm ±0.1mm    6 - 30mm ±0.2mm    30 - 120mm ±0.3mm    ANGLES ±1°	MATERIAL	DRAWN M. ZHANG	DATE 23-Oct-17	TITLE SMB 50 OHM ANGLE PLUG FOR RG-316/U	Amphenol RF <a href="http://www.amphenolrf.com">www.amphenolrf.com</a>
	REFERENCE AND CONFIGURATION LEVEL:	ENGINEER R. VACCARO	DATE 11-Jun-94		
NOTICE - These drawings, specifications, or other data (1) are, and remain the property of Amphenol corp. (2) must be returned upon request; and (3) are confidential and not to be disclosed to any person other than those to whom they are given by Amphenol Corp. the furnishing of these drawings, specifications, or other data by Amphenol Corp., or to any other person to anyone for any purpose is not to be regarded by implication or otherwise in any manner licensing, granting rights to permitting such holder or any other person to manufacture, use or sell any product, process or design, patented or otherwise, that may in any way be related to or disclosed by said drawings, specifications, or other data.	FINISH	APPROVED S. HSIEH	DATE 23-Oct-17	SCALE: 6.0:1.0    SHEET 2 OF 2	ITEM NO. 903-289P-51A2
			CAD FILE		DWG SIZE B    REV E