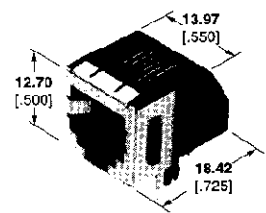




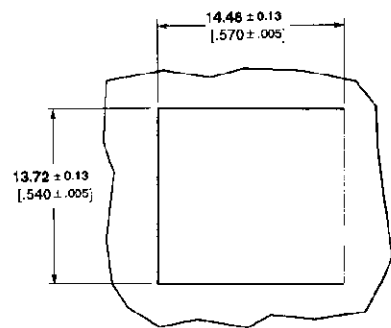
# Modular Jacks (Continued)

## RJ11 for Modem Applications (Continued)

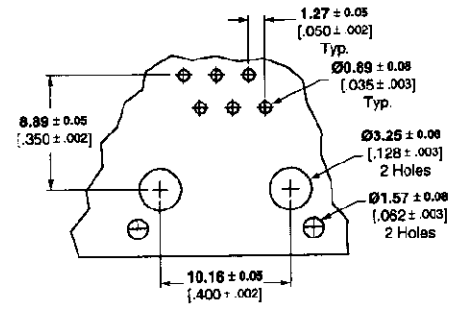
### Side Entry, Face Shield, Through-hole, Low Profile



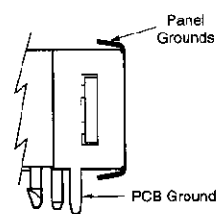
(Photo 109320-1)



Recommended Panel Cutout



Recommended PC Board Layout

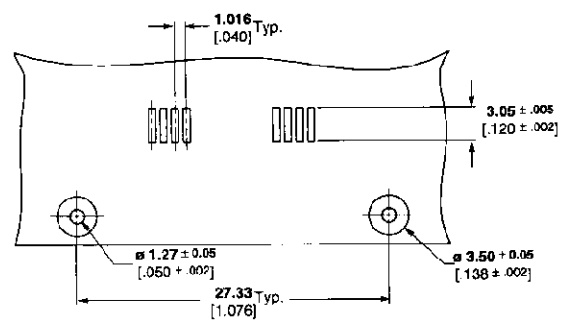


Pos./Contacts	(IR) Reflow Compatible	Panel Ground	Trey Packaging Part Number
6/4	—	—	555154-2
6/4	—	Y	555140-2
6/6	—	—	555154-1
6/6	—	Y	555140-1

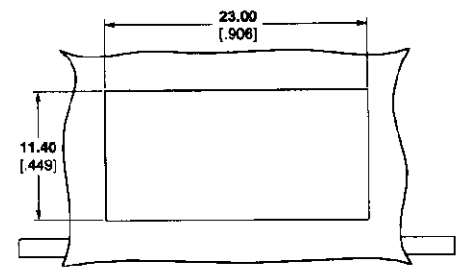
Note: Shielded product with panel grounds always contains PCB grounds.

### Dual-Port

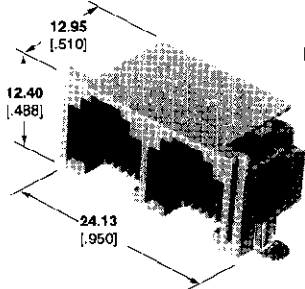
#### Side Entry, Unshielded, Surface Mount



Recommended PC Board Layout



Recommended Panel Cutout (Part Number 406393 shown)



(Photo 109321-4)

No. of Ports	Pos./Contacts	Panel Stops	Part Number	Quantity/Reel
1x2	6/4	Y	406393-1	650
1x2	6/4	Y	406393-2	200
1x2	6/6	Y	406903-1	650
1x2	6/6	Y	406903-2	200

Note: All housings are tan in color.

Input/Output

Modular Jacks