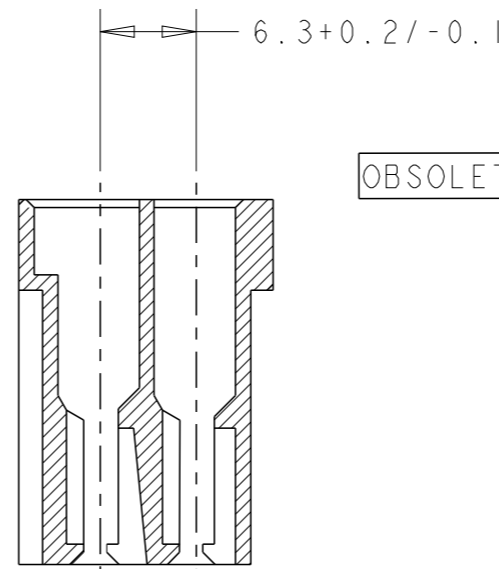
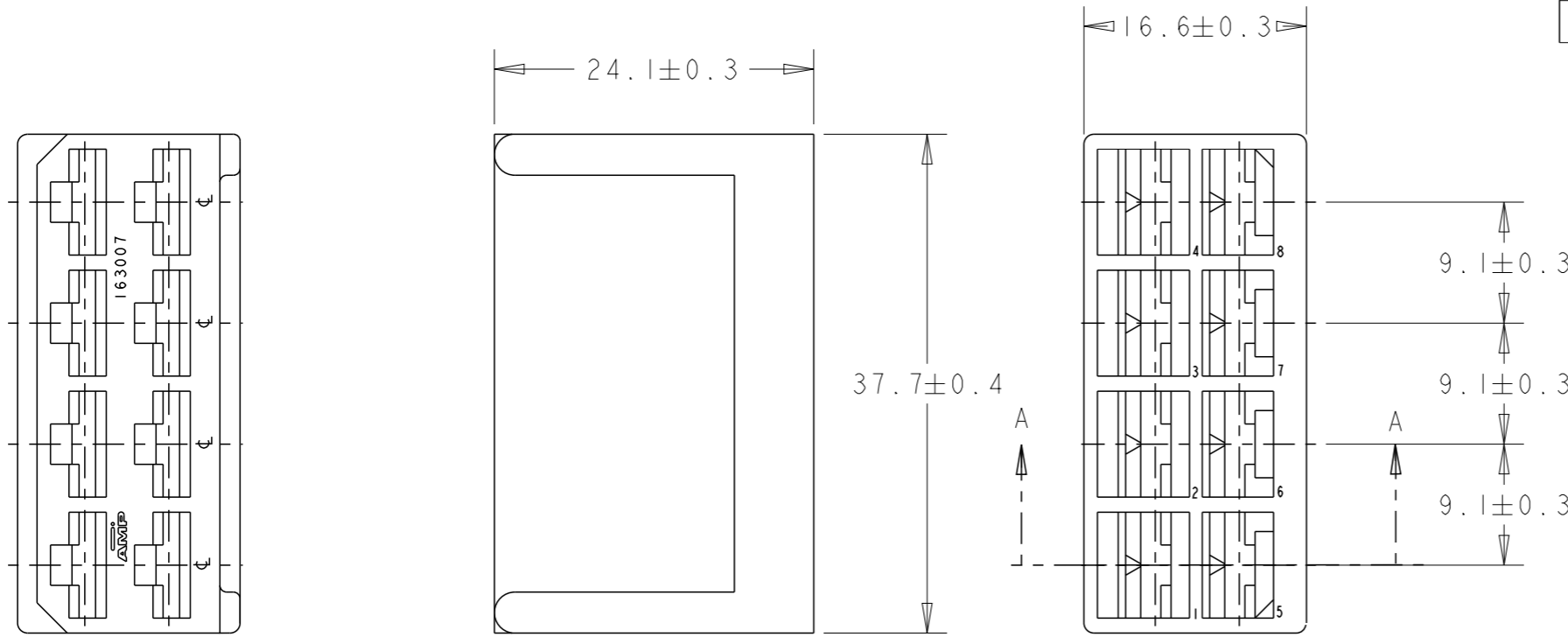


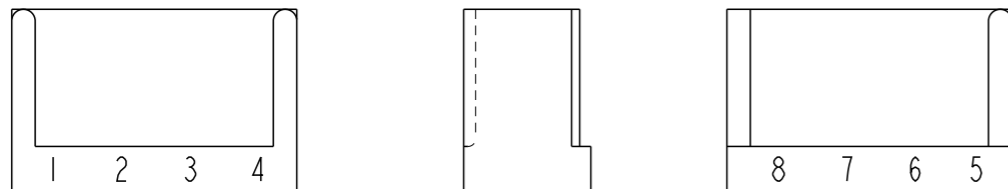
P	LTR	DESCRIPTION	DATE	DWN	APVD
	D3	REVISED PER ECR-21-118186	29OCT2021	SS	EW
	D4	REVISED PER ECR-23-163663	30JAN2023	GK	EW

DIMENSIONS IN mm



SECTION A-A

THESE VIEWS SHOW THE EXTRA NUMBERING FOR: 1-163007-0



ORDER NO.	COLOUR	MATERIAL
1-163007-0	CLEAR	PA 6/6
163007-9	ORANGE	PA 6/6
163007-8	VIOLET	PA 6/6
163007-7	GREY	PA 6/6
163007-6	BROWN	PA 6/6
163007-5	BLACK	PA 6/6
163007-4	YELLOW	PA 6/6
163007-3	BLUE	PA 6/6
163007-2	GREEN	PA 6/6
163007-1	RED	PA 6/6
163007-0	CLEAR	PA 6/6

THIS DRAWING IS A CONTROLLED DOCUMENT.		DWN RvHEUVEN 14AUG07
DIMENSIONS: - mm		CHK MvDRIEL 14AUG07
TOLERANCES UNLESS OTHERWISE SPECIFIED:		APVD MvDRIEL 14AUG07
0 PLC	±-	PRODUCT SPEC
1 PLC	±-	APPLICATION SPEC
2 PLC	±-	WEIGHT
3 PLC	±-	CUSTOMER DRAWING
4 PLC	±-	SCALE
ANGLES	±-	SHEET
MATERIAL	FINISH	RESTRICTED TO
material_2	finish_spec_2	SIZE

STE TE Connectivity

NAME: 8 WAY FASTIN-ON RECEPT. HOUSING

SIZE	CAGE CODE	DRAWING NO	RESTRICTED TO
A3	00779	163007	-

SCALE: NTS SHEET 1 OF 1 REV: D4