

TABLE 1: PART LIST

ITEM	QTY	DESCRIPTION	MATERIAL	FINISH
1	1	CABLE 2x0.75+ 8x0.34 TPU BK D9.2 TPE UNSH	TPU	BLACK
2	1	OVERMOLD	PUR	BLACK
3	1	INSERT	PBT	BLACK
4	14	SOCKET CONTACT	COPPER ALLOY	GOLD
5	1	COUPLER	BRASS	PLATING WHITE BRONZE

TABLE 2: FINISHED PRODUCTS

OLD MAT-NO.	MATERIAL	DESCRIPTION	LENGTH CABLE [L] (WITH TOLERANCES)	GEOMETRY
L04100B78M050	1300238019	M16 ST CON FOR M8 NANO BOX 5M - 8port	5m +60 mm	STR
L04100B78M100	1300238020	M16 ST CON FOR M8 NANO BOX 10M - 8port	10m +80 mm	STR
L04100B78M150	1300238021	M16 ST CON FOR M8 NANO BOX 15M - 8port	15m +140 mm	STR
L04101B78M050	1300238022	M16 90° CON FOR M8 NANO BOX 5M - 8port	5m +60 mm	RA
L04101B78M100	1300238023	M16 90° CON FOR M8 NANO BOX 10M - 8port	10m +80 mm	RA
L04101B78M150	1300238024	M16 90° CON FOR M8 NANO BOX 15M - 8port	15m +140 mm	RA

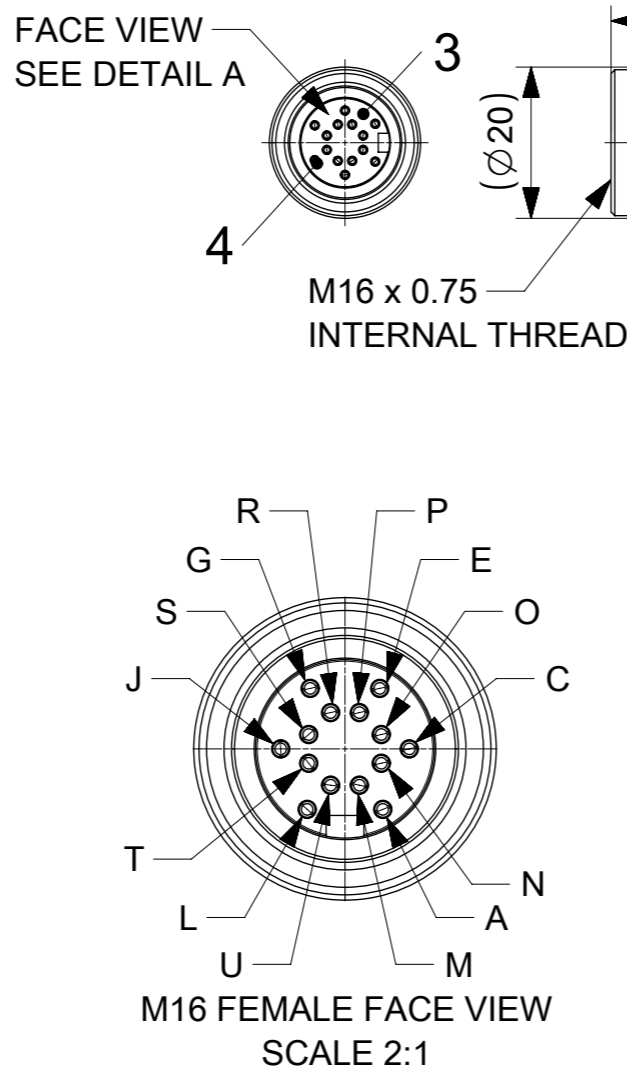
TABLE 3: CABLE SPEC

CABLE TYPE	CABLE JACKET	UL	CSA	Temperature range (static) (Bending radius up to 7.5xD)	Temperature range (flexing) (Bending radius up to 12.5xD)	drag chain tested	other
B78-10	TPU black	STYLE 21215	yes	-40°C to +90°C	-25°C to +80°C	5 Mio cycles	WELD SLAG RESISTANCE

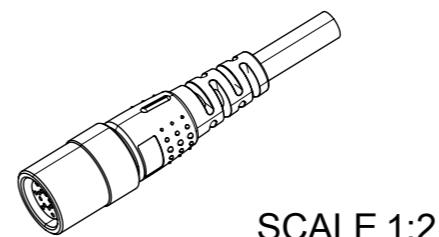
WIRING SCHEMATIC:

P	white
J	green
T	yellow
S	gray
G	pink
R	red
E	black
O	violet
C	not used
A	brown 0.75 mm ²
M	
L	blue 0.75 mm ²
U	
N	not used

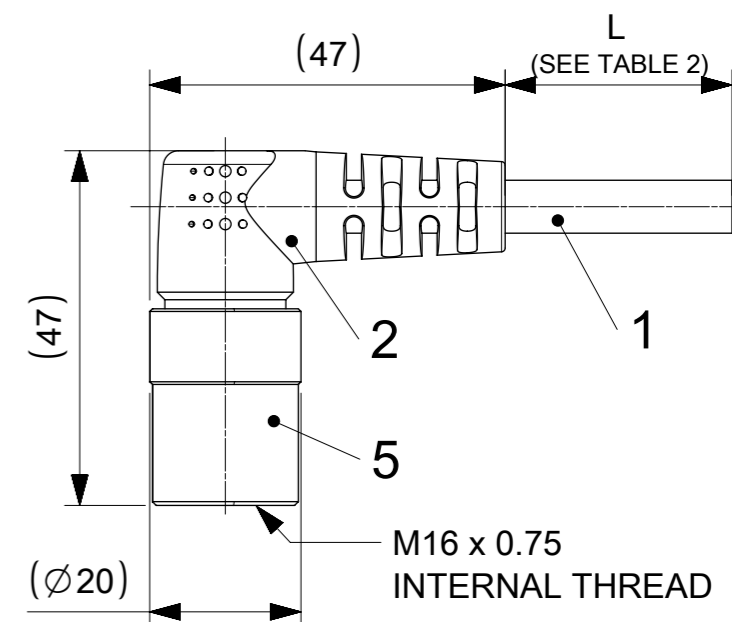
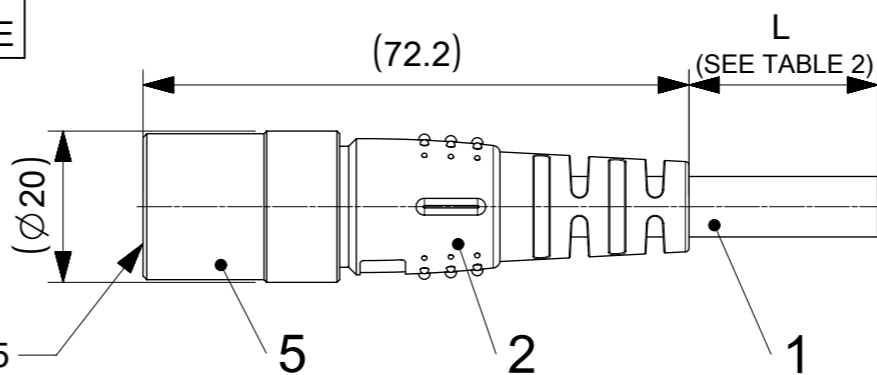
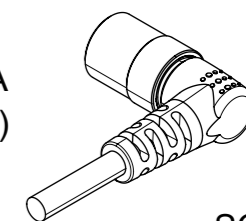
1. MATERIALS : SEE TABLE 1
2. FINISHES: SEE TABLE 1
3. ELECTRICAL DATA:
MAX. VOLTAGE RATING 60 VAC
MAX. CURRENT 3 AMPS
4. ENVIRONMENTAL: PROTECTION IP67
TEMPERATURE RANGE -30°C TO +80°C
5. ASSEMBLY IS RoHS COMPLIANT



GEOMETRY STR
(STRAIGHT)



GEOMETRY RA
(RIGHT ANGLE)



SYMBOLS	THIS DRAWING CONTAINS INFORMATION THAT IS PROPRIETARY TO MOLEX ELECTRONIC TECHNOLOGIES, LLC AND SHOULD NOT BE USED WITHOUT WRITTEN PERMISSION	
▽ = 0	DIMENSION UNITS	SCALE
▽ = 0	mm	1:1
▽ = 0	CURRENT REV DESC: KNURLED PART ON SLEEVE POS. CHANGED FOR BETTER HANDLING	
▽ = 0	GENERAL TOLERANCES (UNLESS SPECIFIED)	
▽ = 0	ANGULAR TOL	± 1.0°
▽ = 0	4 PLACES	±
▽ = 0	3 PLACES	±
▽ = 0	2 PLACES	± 0.05
▽ = 0	1 PLACE	± 0.3
▽ = 0	0 PLACES	± 0.5
■ = 0	DRAFT WHERE APPLICABLE MUST REMAIN WITHIN DIMENSIONS	
▽ = 0	THIRD ANGLE PROJECTION	DRAWING
		A3-SIZE
	SERIES	130023
	MATERIAL NUMBER	SEE TABLE 2
	CUSTOMER	GENERAL MARKET
	SHEET NUMBER	1 OF 1

molex

CSE M16 14P 8PT AC FE RA+STR TPU SE XM UNSH BK

PRODUCT CUSTOMER DRAWING

DOCUMENT NUMBER	DOC TYPE	DOC PART	REVISION
1300238023	PSD	000	B