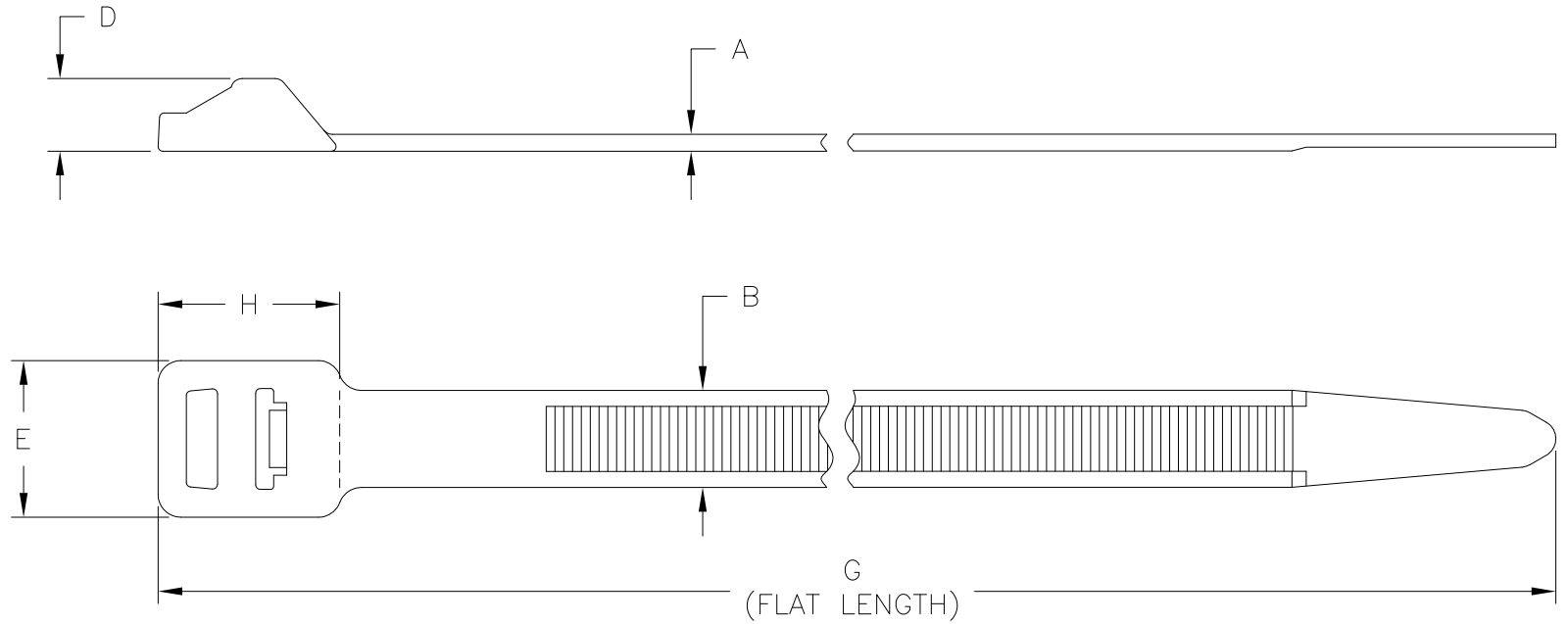


Revision level		Revision Record	Changed	Date	Approved	Date
part	drawing					
—	03					



PRODUCT CODE DESCRIPTION

T250XL
 COLOR
 (CONSULT FACTORY FOR AVAILABLE COLORS)

Aerospace Spec Tie SAE AS33671	Type	Cable Range (mm)	Material	A	B	D	E	G	H	Min Loop Tensile Strength (N)
no	T250XL	12 to 305	PA66	2.2 ±0.2	12.5±0.2	9.5 ±0.5	20.0 ±0.5	1030.0 ±5.0	22.4 ±1.0	1115
no			PA66HIRHSUV							

SEE CHART

Material

Dimension tolerances unless otherwise specified
 .XXX =
 .XXX =
 .XX =
 .X = ± NOTED
 < =

Dimension Units mm

PERFORMANCE SPECIFICATION

ACAD MECH 2010

ALL PROPRIETARY RIGHTS IN THE SUBJECT MATTER SHOWN ON THIS DRAWING ARE EXCLUSIVE PROPERTY OF HELLERMANN TYTON

Drawn K.A.C. 09/22/03
 Approved K.A.C. 06/17/13

HellermannTyton

7930 N. Faulkner Rd.
 Milwaukee, WI 53224
 Ph: (414) 355-1130
 Fx: (414) 362-8338

Scale 1:1
 Computer File Number CT\CST\2250011_03

Title **T250XL HEAVY DUTY LASHING CABLE TIE**

Drawing-No **CT2250011CST**

Format AH
 Sheet 1 of 1