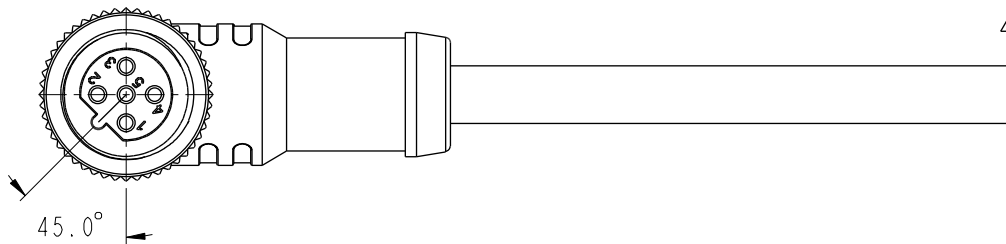
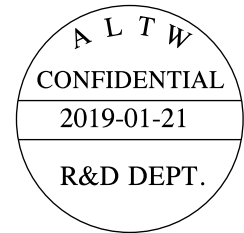
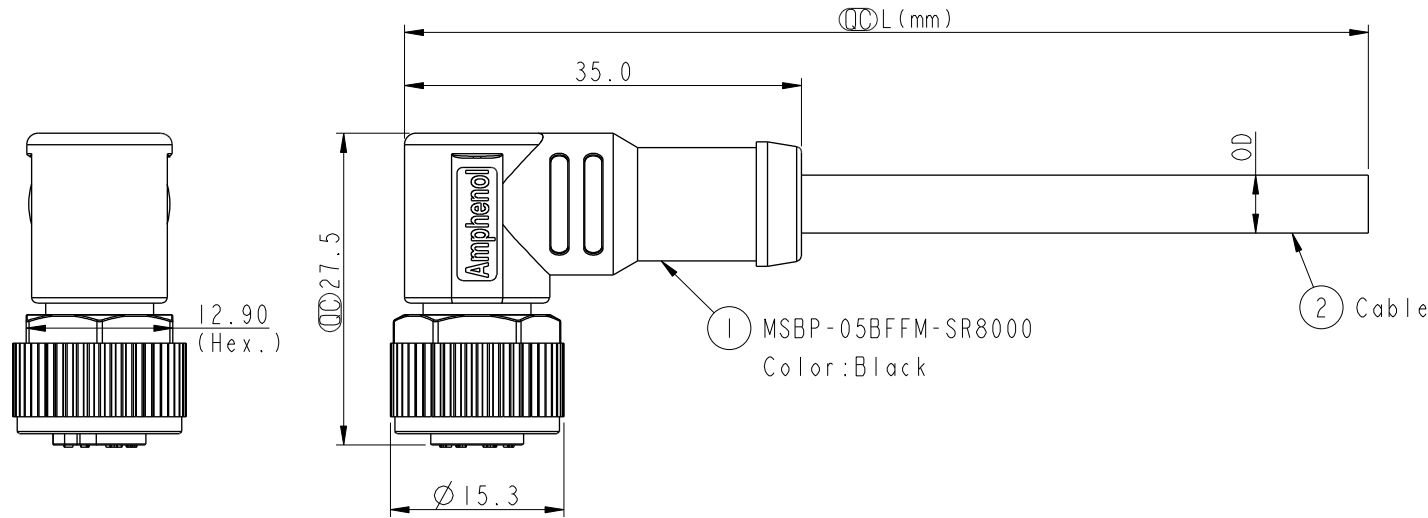


REV.	ECN NO.	DATE	SIGN	DESCRIPTION
A	Initial Release	2015-07-25	Feng_Li	Change Rev.01 To Rev.A
B	LEN1750141	2017-04-06	Lingpeng	Change The Cable OD
C		2019-01-21	Ruru	Modify The Waterproof Rating



Notes:

- \*  $\text{⌀}$  Important Dimension.
- \*  $\triangle$  Waterproof Rate: IP68, IP69K
- \* Connector: PU+GF, Black.
- \* Female Pin: Copper Alloy, Gold Plated.
- \* Screw Nut: Nylon, Black.
- \* Outer Mold: PU, Black.
- \* Cable: (A) UL2517, PVC Jacket, Yellow.  
(B) UL20549, PUR Jacket, Black.  
(D) UL2517, PVC Jacket, Black.
- \* Rated Voltage: 60V dc. or ac.
- \* Rated Current: 4A
- \* Operating Temperature: -25~85°C
- \* Cable Length Tolerance: 01M:  $\pm 40\text{mm}$   
02M~05M:  $\pm 60\text{mm}$   
06M~10M:  $\pm 100\text{mm}$   
11M~30M:  $\pm 200\text{mm}$   
31M~99M:  $\pm 500\text{mm}$

UNIT:mm		
TOLERANCE		
$\pm 0.5\text{mm}$		

TITLE M12 B Type Cable 90° Female Conn.		
SCALE 3:2	SIZE A4	SHEET 1 OF 2
REV. C	WC-REV. A.2	$\text{⌀}$ : Inspection item

**Amphenol LTW**  
安費諾亮泰企業股份有限公司

ITEM NO	DRAWN BY Ruru	DATE 2019-01-21
DWG NO MSBP-05BFFM-SR8XXX	CHECKED BY Rita	DATE 2019-01-21
CUSTOMER ALTW	APPROVED BY Max	DATE 2019-01-21

THIS DOCUMENT IS SUBJECT TO CHANGE WITHOUT NOTICE. IT IS CONFIDENTIAL AND A PROPERTY OF Amphenol LTW. DISCLOSURE TO THIRD PARTY HAS TO BE AUTHORIZED BY Amphenol LTW.

THIS DOCUMENT IS SUBJECT TO CHANGE WITHOUT NOTICE. IT IS CONFIDENTIAL AND A PROPERTY OF Amphenol LTW. DISCLOSURE TO THIRD PARTY HAS TO BE AUTHORIZED BY Amphenol LTW.

B	5P	PVC	5.1	22	MSBP-05BFFM-SR8DXX
	5P	PUR	4.4	22	MSBP-05BFFM-SR8BXX
	5P	PVC	5.1	22	MSBP-05BFFM-SR8AXX
Contacts	Cable Jacket	Cable OD	AWG	Item No.	

M SBP - 05 B F F M - S R 8 X XX

SBP: B-Code Plastic Nut

05: 5Pin

B: Cable Without S/R(線端無網尾)

F: Female Connector(母座)

F: Female Pin(母Pin)

M: Molding Type(射出成型)

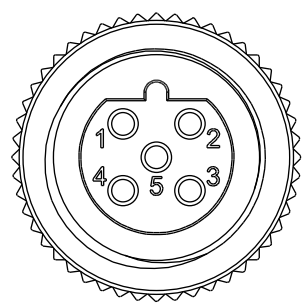
XX: 01~99Meters  
 01: 01Meter  
 02: 02Meters  
 :  
 99: 99Meters

A: PVC UL2517 Cable, Yellow (PVC黃色外被線材)  
 B: PUR UL20549 Cable, Black (PUR黑色外被線材)  
 D: PVC UL2517 Cable, Black (PVC黑色外被線材)

8: IP68/IP69K (防水等級68/69K)

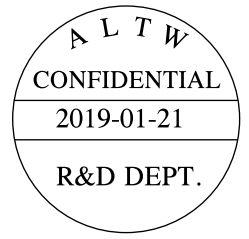
R: Right (90° 線端)

S: Screw (螺紋式)



Pin Assignments  
Front View

5	Gray	灰
4	Black	黑
3	Blue	藍
2	White	白
1	Brown	棕
Conn.	Wire Color	
Pin Out		



UNIT:mm	
TOLERANCE ±0.5mm	

TITLE M12 B Type Cable 90° Female Conn.			
SCALE 3:2	SIZE A4	SHEET 2 OF 2	
REV. C	WC-REV. A.2	QC: Inspection item	

**Amphenol LTW**  
安費諾亮泰企業股份有限公司

ITEM NO	DRAWN BY Ruru	DATE 2019-01-21
DWG NO MSBP-05BFFM-SR8XXX	CHECKED BY Rita	DATE 2019-01-21
CUSTOMER ALTW	APPROVED BY Max	DATE 2019-01-21