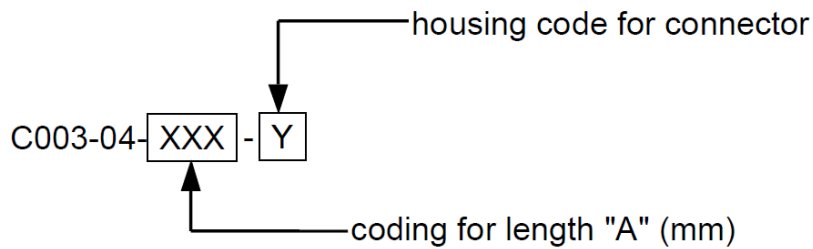
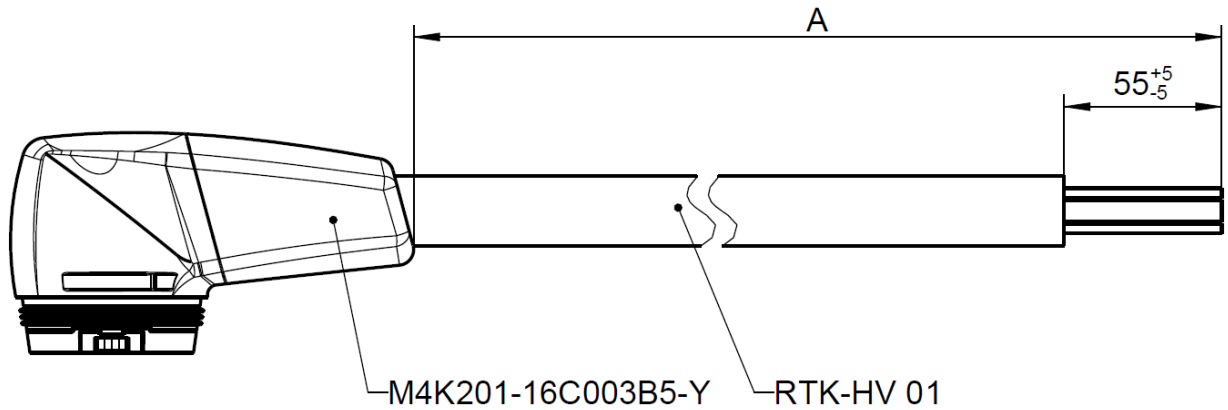


Cable assembly



All dimensions are in mm

| cable length [mm] | | | | | |
|-------------------|-----------|-------------|--------------|--------------|--------|
| Range length "A" | 50 to 100 | 100 to 1000 | 1001 to 2000 | 2001 to 5000 | > 5000 |
| Tolerance for "A" | ± 3 | ± 5 | ± 10 | ± 20 | ± 1% |

Documents

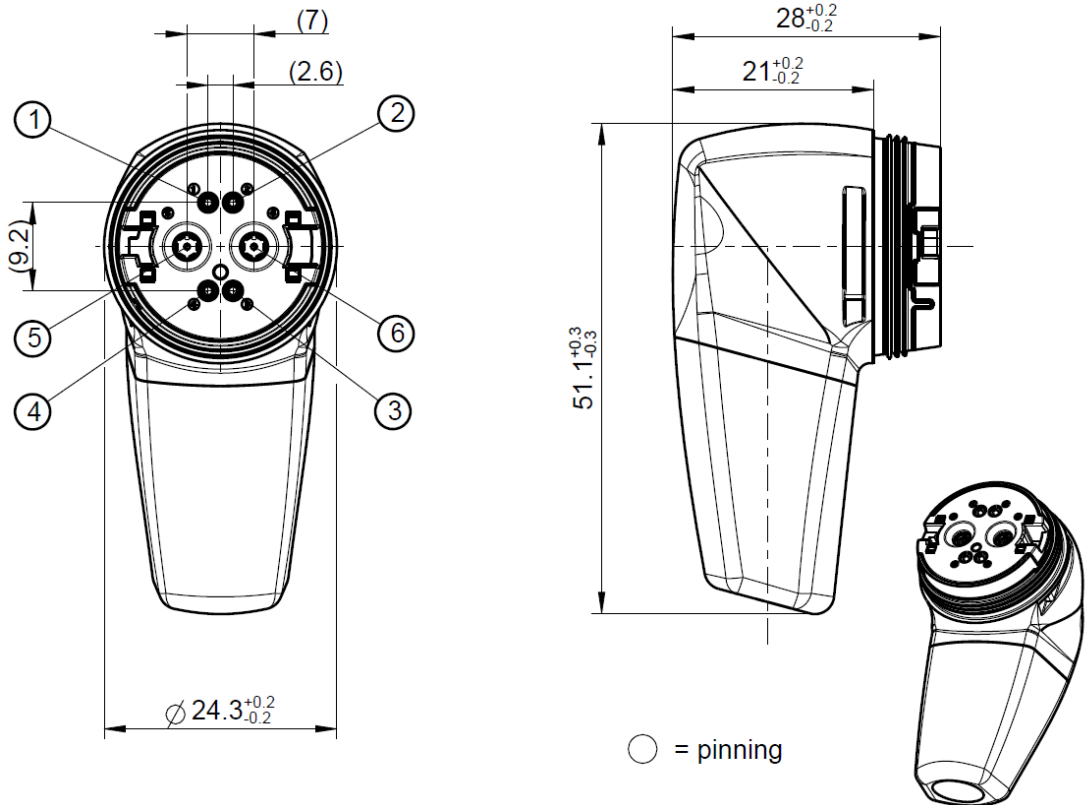
| | |
|----------------------|-------------------------------|
| Interface | Rosenberger internal standard |
| Connector data sheet | M4K201-16C003B5-Y |
| Customer drawing | C003-04-XXX-Y_LV |
| Cable data sheet | RTK-HV_01 |
| Handling instruction | HI_003 |

Caution!

Magnets can impact the function of pace makers and implantable cardioverterdefibrillators (e.g. actuation of reed switch). Keep a minimum distance of 0,2m (20cm) between the magnetic connector and the implanted devices to prevent malfunction and danger to health.

Connector jack 90°

M4K201-16C003B5-Y



All dimensions are in mm

Pinning

| Pin | colour | cable cross section |
|-----|--------|----------------------|
| 1 | green | 0.35 mm ² |
| 2 | blue | 0.35 mm ² |
| 3 | orange | 0.35 mm ² |
| 4 | brown | 0.35 mm ² |
| 5 | red | 2.5 mm ² |
| 6 | black | 2.5 mm ² |

Warning!

**Customer is responsible for implementing adequate safety measures:
 Power supply to Pins 5 & 6 must be deactivated unless they are completely plugged in.
 Power to pins 5 & 6 must only be activated upon full insertion of signal pins 1 – 4!
 Misuse may damage contact!**

Material and plating

Parts

Housing
Dielectric
Magnets
Sealing
Bend Protection

Material

PBT-GF30 FR
PBT-GF30 FR
NdFeB
Silicone
TPU

Plating / Colour

black, sim. RAL 9005
black, sim. RAL 9005
Nickel

Pins 1-4:

Contact Pin

Brass

Gold, 0,4 µm (contact)

Pins 5-6:

Power Pin
Contact spring

Brass
Beryllium copper

White bronze (e.g. Optalloy[®]), min. 2 µm
Silver, min. 3 µm

Electrical data

Pins 1-4:

Insulation resistance ≥ 100 MΩ
Contact resistance ≤ 40 mΩ initial
Working voltage 12 V
Max. Current 3 A per pin

Pins 5-6:

Insulation resistance ≥ 100 MΩ
Power current ≤ 25 A DC
Contact resistance ≤ 7 mΩ
Working voltage ≤ 60V DC

Mechanical data

Locking mechanism
Mating cycles
Disengagement force
Weight (connector only)

magnetic
min. 2500
min. 20N
22 g

Environmental data

Temperature range
Dust and water resistance
Glow-wire flammability test
for end products
(GWT850°C; GWT750°C)

-40°C to + 65°C
DIN-EN-60529 IP 64 / IP 67; mated
IEC 60695-2-11:2014

Dieses Dokument ist urheberrechtlich geschützt • This document is protected by copyright • Rosenberger Hochfrequenztechnik GmbH & Co. KG

RF_35/09;14/6.2

Cable

RTK-HV_01

Material and Dimensions

| | | | |
|-------------------------|--------------------------------------------|----------------------|--------|
| Conductor (pinning 1-4) | Bare copper strand Cu-ETP1 acc. EN13602 | 0.35 mm ² | AWG 22 |
| Conductor (pinning 5-6) | Bare copper strand Cu-ETP1 acc. EN13602 | 2.5mm ² | AWG 14 |
| Outer diameter | PU, color: black | max. Ø 8.3 mm | |

Mechanical data

| | |
|--------------------------------|---------------|
| Bending radius Single | 10 x d |
| Bending radius Multiple (<10x) | 15 x d |
| Net. weight of cable | ca. 101 kg/km |

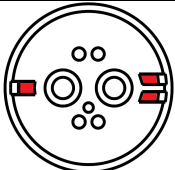
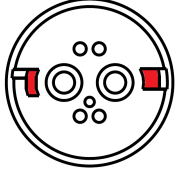
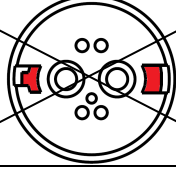
Environmental data

| | |
|--------------------------------|----------------------|
| Temperature resistance (3000h) | -40° C up to +105° C |
|--------------------------------|----------------------|

Dieses Dokument ist urheberrechtlich geschützt • This document is protected by copyright • Rosenberger Hochfrequenztechnik GmbH & Co. KG

RF_35/09;14/6.2

Coding

| Coding | Plug | Part-Number |
|--------|------------------------------------------------------------------------------------|---------------|
| C |  | C003-04-XXX-C |
| D |  | C003-04-XXX-D |
| Z |  | C003-04-XXX-Z |

While the information has been carefully compiled to the best of our knowledge, nothing is intended as representation or warranty on our part and no statement herein shall be construed as recommendation to infringe existing patents. In the effort to improve our products, we reserve the right to make changes judged to be necessary.

| Draft | Date | Approved | Date | Rev. | Engineering change number | Name | Date |
|--------------------------------------------------------------------------------------------------------------------------------------------------------|----------|-------------|----------|------|----------------------------------------------------------------------------------------------|----------|---------------|
| S. Schöndorfer | 25.04.16 | C. Biermann | 22.09.21 | 500 | 21-1329 | F. Huber | 22.09.21 |
| Rosenberger Hochfrequenztechnik GmbH & Co. KG P.O.Box 1260 D-84526 Tittmoning Germany www.rosenberger.de | | | | | Tel. : +49 8684 18-0 Email : info@rosenberger.de | | Page 5 / 5 |