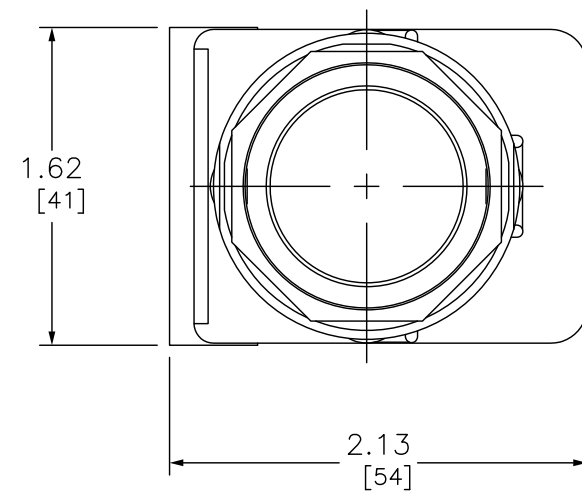
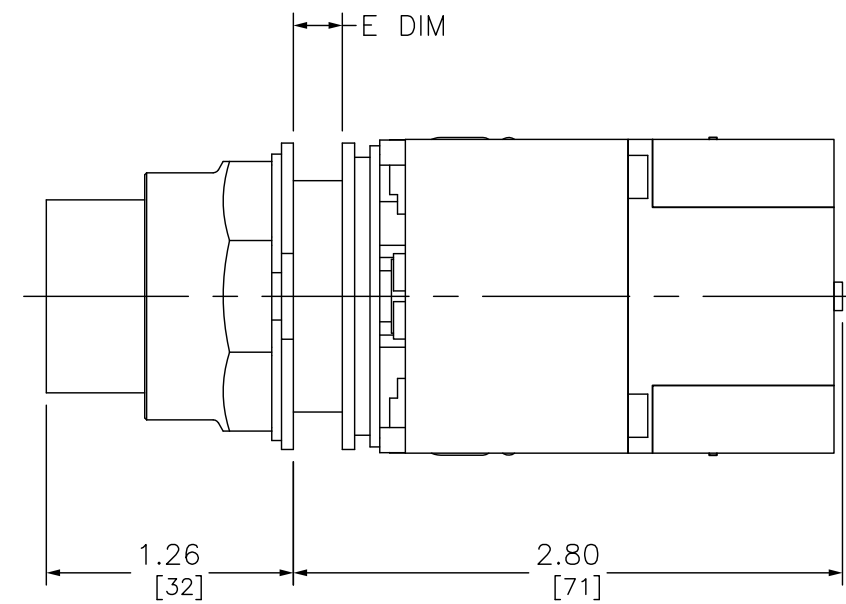


PANEL THICKNESS E DIM		NUMBER OF GASKET
IN	MM	
.06	2	4
.13	3	3
.19	5	2
.25	6	1



FRONT



RIGHT

DUAL DIMENSIONS: INCHES  
MILLIMETERS

PUSHBUTTON 600VAC 10AMP 30MM SK + OPTIONS

**SQUARE D**<sup>™</sup>  
by Schneider Electric

DWG# 9001SK2L1GH13  
NO.