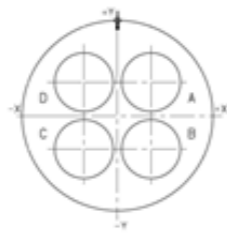


Contact Layout

48

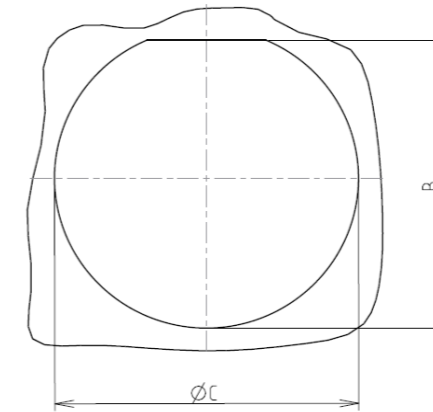


4#8 Power

| 21-48 | | |
|-------|-------|-------|
| Ctc | X | Y |
| A | 4.57 | 4.57 |
| B | 4.57 | -4.57 |
| C | -4.57 | -4.57 |
| D | -4.57 | 4.57 |

Panel cutout

JAM NUT RECEPTACLE (TYPE 7)



Max. thickness panel for receptacle: Type 7: 3.2 mm

| Dim | Nominal |
|-----|---------------|
| B | 37.08+0/-0.25 |
| ØC | 38.35+0.25/-0 |

SOURIAU shall not be liable for any non-conformity or damage due to a use of the Products which does not comply with the Specifications issued by either of the Parties or by a third party (professional recommendation, technical notice.)

| Country | Jurisdiction & Control List |
|---------|-----------------------------|
| FR | Not Listed |

PN: 8D721W48PD

| | | | |
|----------------|---------------------------------------|--------------------------------|---|
| A | 08-11-2016 | First Release | |
| ISS | DATE | Latest modification - by | MOD N° |
| Designed By: | | Date: | CUSTOMER DRAWING |
| TITLE | Aluminium Receptacle 8D series | | |
| SCALE | | General linear Tolerances: ±-- | NPRDS / PROJECT 859 |
| NA | | | |
| SOURIAU | WWW.SOURIAU.COM | | This document is the property of SOURIAU it must not be reproduced or communicated without permission |
| FORMAT | SOURIAU DRG N° 8D721W48PD-C | | SHEET 2/2 |