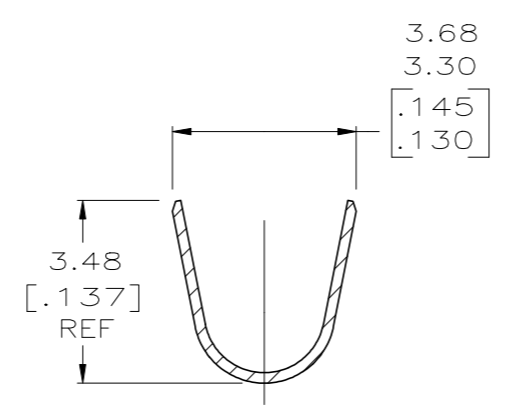
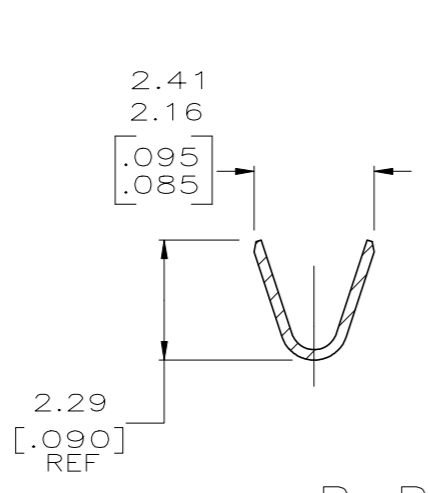
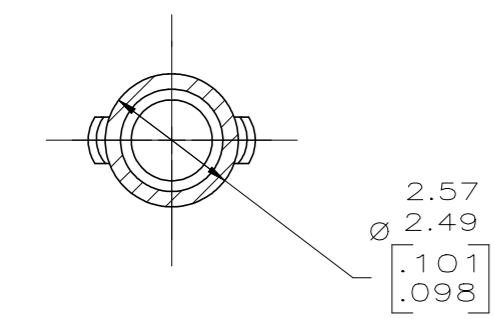
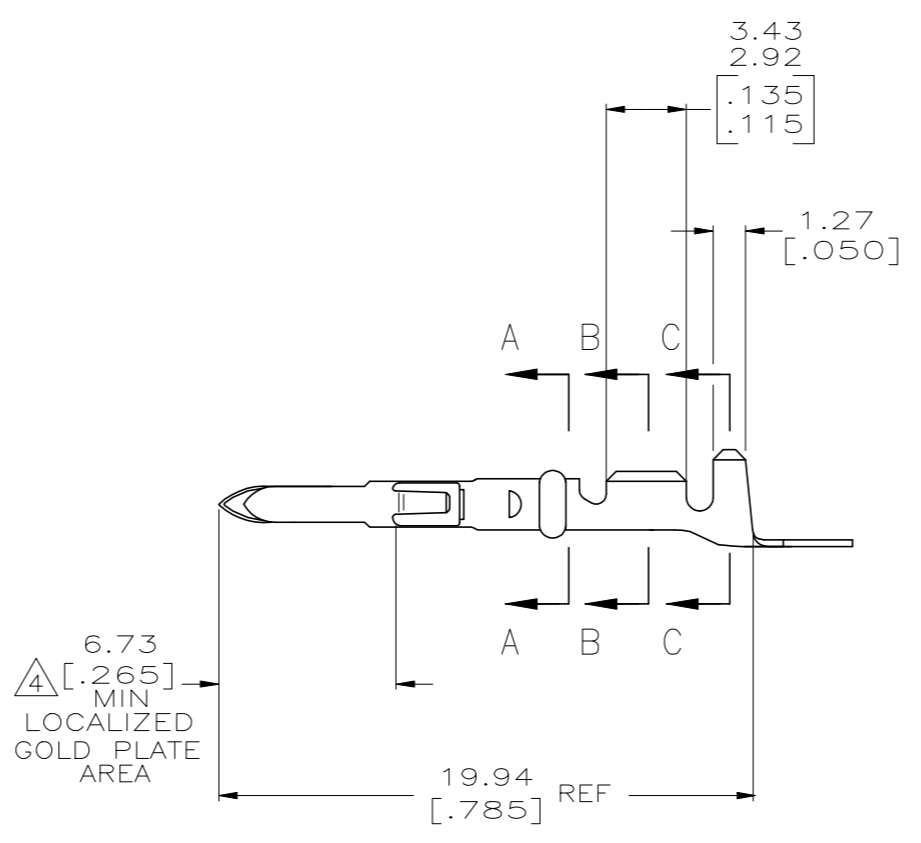
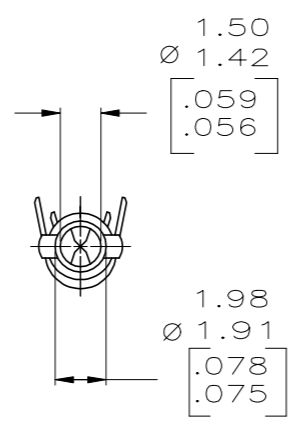
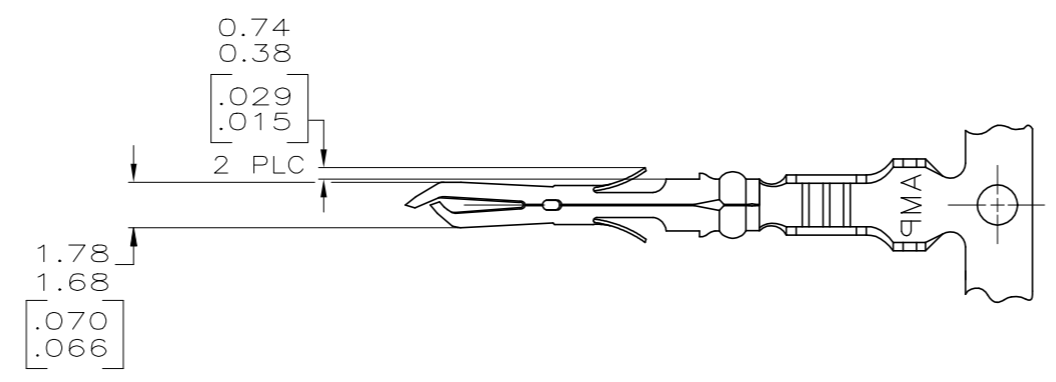


REVISIONS				
P	LTR	DESCRIPTION	DATE	APVD
L1		REVISED PER ECO-11-004917	11MAR11	RK HMR
M		REVISED PER ECO-19-009931	05JUL2019	RS MZ

- 1 WIRE RANGE: 0.12-0.9mm² (26-18 AWG).
- 2 INSULATION RANGE: 1.27-2.92 [.050-.115] MAX. DIA.
- 3 DIMENSIONS IN BRACKETS ARE IN INCHES.
- 4 TIP PLATE WITH 0.00076-0.00091 [.000030-.000036] MIN GOLD IN THE LOCALIZED GOLD PLATE AREA OVER 0.00127 [.000050] MIN NICKEL UNDERPLATE.



△ GOLD PLATE	0.20 [.008] PHOS BRZ	350967-2
PRE-TIN	0.20 [.008] PHOS BRZ	350967-1
FINISH	MATERIAL	PART NO

THIS DRAWING IS A CONTROLLED DOCUMENT.		DIN K SALMON 3-21-95	TE Connectivity	
DIMENSIONS: mm [INCHES]		OK R SWING 3-21-95	MR PIN	
TOLERANCES UNLESS OTHERWISE SPECIFIED:		APVD W LONG 3-21-95	NAME	
0 PLC	± -	APPLICATION SPEC		
1 PLC	± -	SIZE		
2 PLC	± -	CAGE CODE		
3 PLC	± 0.13 [.005]	DRAWING NO		
4 PLC	± -	RESTRICTED TO		
ANGLES	± -	A1 00779 350967		
MATERIAL	SEE TABLE	FINISH	SEE TABLE	WEIGHT
CUSTOMER DRAWING		SCALE	5:1	SHEET 1 OF 1 REV M

METRIC