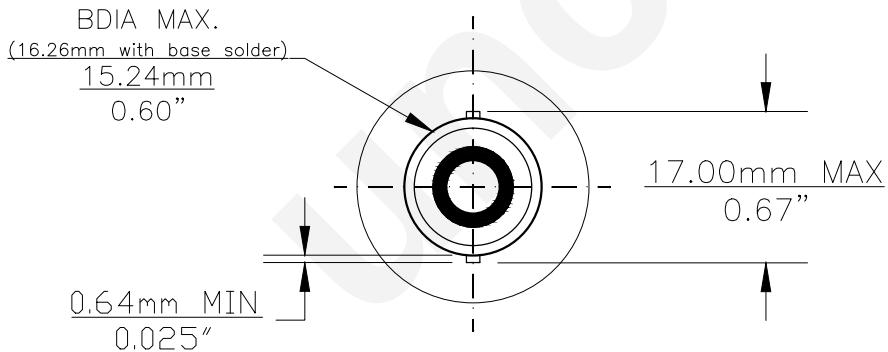
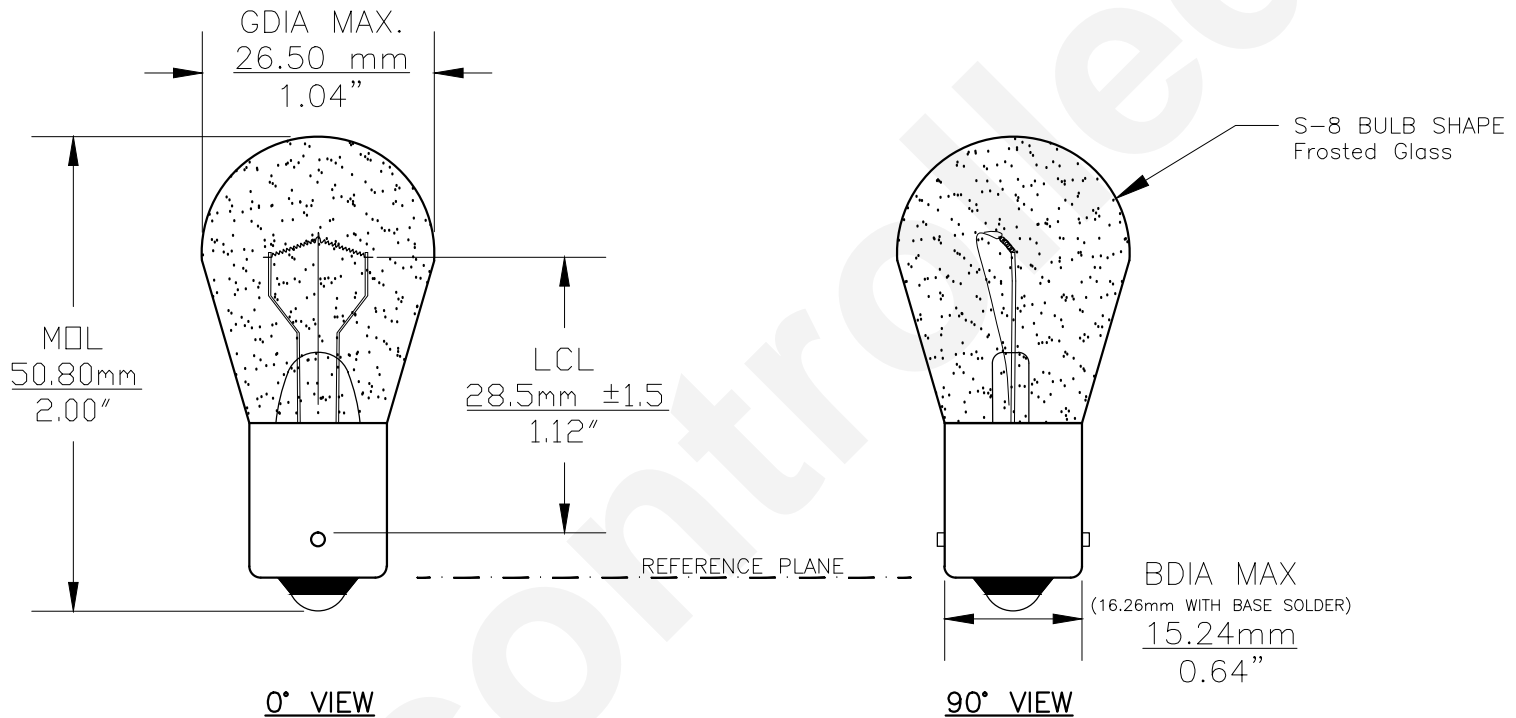




PART NO.	BASE TYPE	DESIGN VOLTS	DESIGN AMPS	MSCD	FILAMENT TYPE	AVERAGE LIFE HOURS	REVISIONS			
							REV #	DESCRIPTION	DATE	APPROVED
305IF	S.C. Bayonet (BA15s)	28.0V	0.51±10%	15±10%	C-2V	300	1	ISSUED	08/05/2013	D.C.
							2	REDRAWN TO ADD VIEW	10/22/2014	R.M.



Note: Made according to SAE specifications



UNLESS OTHERWISE SPECIFIED: DIMENSIONS ARE IN INCHES TOLERANCES		CEC INDUSTRIES LTD			
DECIMALS	ANGULAR	599 BOND STREET		LINCOLNSHIRE, IL 60069	
.XX ± .05	± 0.5°				
.XXX ± .010					
FRACTIONAL	± 1/64				
DRAWN D. C.	DATE 08/05/2013	TITLE LIGHT BULB NO. 305IF (INSIDE FROSTED)			
CHECKED	SIZE A	FSCM NO.	DWG NO. 305IF	REV 2	
DESIGN	SCALE	PLOT SCALE	SHEET 1 OF 1		
MATERIAL	FILE 305IF.pdf	DRAWING NOT TO SCALE			