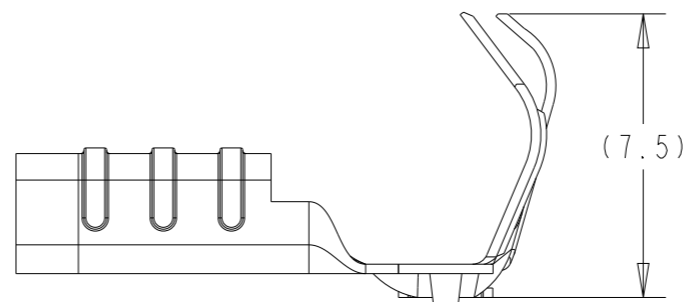
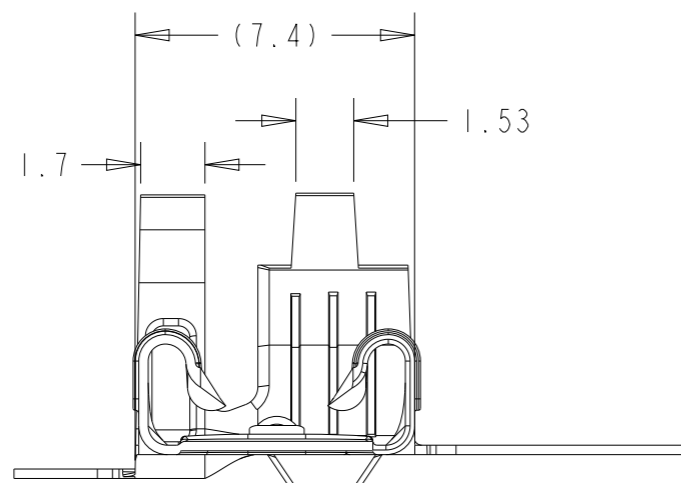
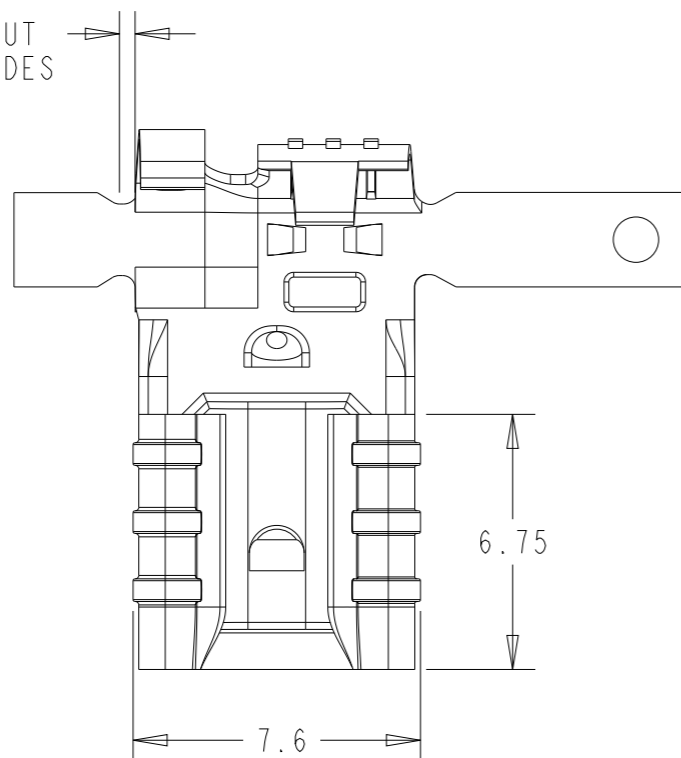


REVISIONS

P	LTR	DESCRIPTION	DATE	DWN	APVD
	A	NEW DRAWING	13AUG2021	DL	EW

0.5MAX. CUT OFF TAB ON BOTH SIDES



- 1 CONTINUOUS STRIP ON REELS
- 2 WIRE RANGE: 22-16AWG; INSULATION RANGE: 1.6-3.0mm²
- 3 MATING TAB THICKNESS: 0.80MM

-	BRASS 0.25THICKNESS	2366409-2
PRE-TIN	BRASS 0.25THICKNESS	2366409-1
FINISH	MATERIAL	PART NUMBER

THIS DRAWING IS A CONTROLLED DOCUMENT.		DWN 26AUG2020 BASAVARAJA D A		
		CHK 26AUG2020 DAISY LI		
		APVD 26AUG2020 WANG ERIC	NAME 250 FASTON FLAG RECEPTACLE	
DIMENSIONS: mm		TOLERANCES UNLESS OTHERWISE SPECIFIED:		PRODUCT SPEC 108-106606
		0 PLC ±-		APPLICATION SPEC 114-106542
		1 PLC ±0.30		WEIGHT -
MATERIAL SEE TABLE		FINISH SEE TABLE		SIZE A3
				CAGE CODE 00779
				DRAWING NO C-2366409
				RESTRICTED TO -
		CUSTOMER DRAWING		SCALE 5:1
				SHEET 1 OF 1
				REV A