

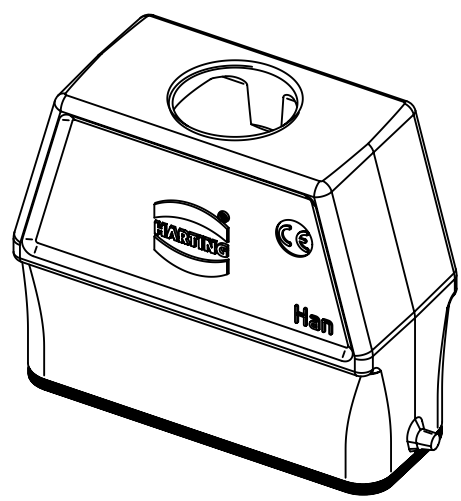
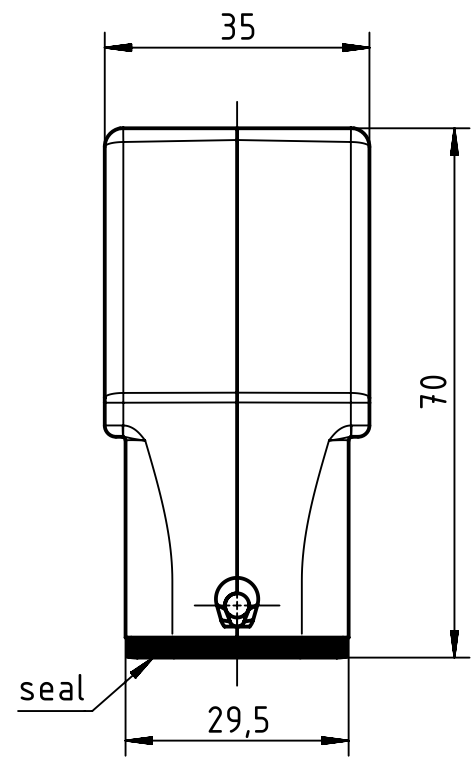
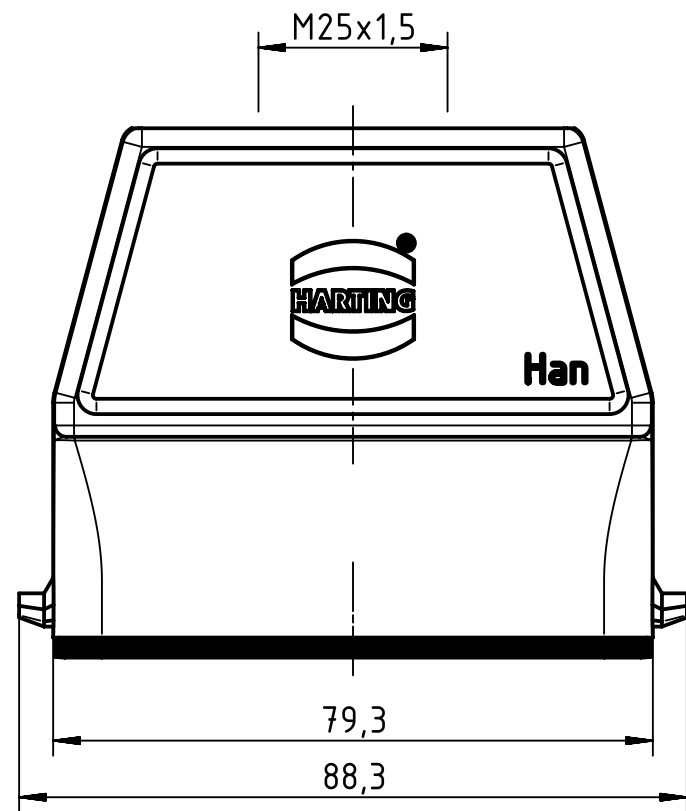
1 2 3 4 5 6

A

B

C

D



	All Dimensions in mm Original Size DIN A4		Scale 1:1	Free size tol.		Ref.		
						Sub.		
	All rights reserved		Created by RULLKOETTER	Inspected by GERB	Standardisation GARSKE	Date 2019-12-03	State Final Release	
	Department EL PD		Title Han A Hood Top Entry HC 2 Pegs M25				Doc-Key / ECM-Nr. 100189509/UGD/004/E 500000161520	
HARTING Electric GmbH & Co. KG D-32339 Espelkamp			Type TB	Number 19 20 016 0446			Rev. E	Page 1/1