

6

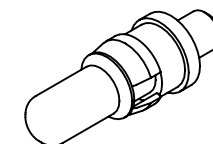
5

4

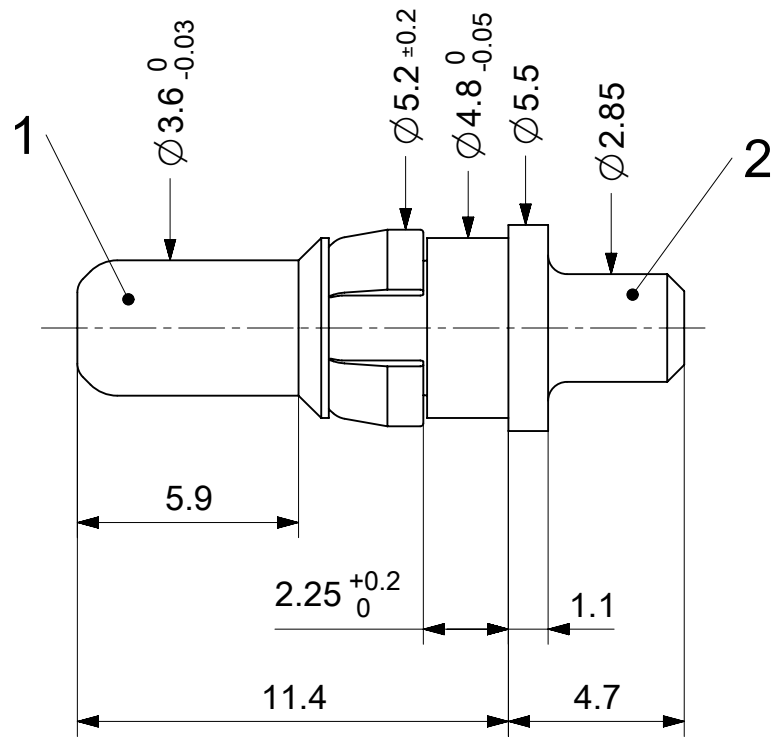
3

2

1



2:1



RoHS compliant
by exemption

1731120083	FMP010P104	104
1731120843	FMP010P105	105
1731120154	FMP010P203	203
Material Number	FCT Part Number	Material + Finish See extra sheet

UNLESS OTHERWISE SPECIFIED DIMENSIONS FOR REFERENCE ONLY		REPLACEMENT FOR DOCUMENT NUMBER: FMP010P	
FUNCTIONAL SYMBOLS	THIS DRAWING CONTAINS INFORMATION THAT IS PROPRIETARY TO MOLEX ELECTRONIC TECHNOLOGIES, LLC AND SHOULD NOT BE USED WITHOUT WRITTEN PERMISSION		
$\frac{F}{A} = 0$	DIMENSION UNITS	SCALE	CURRENT REV DESC: A24338
$\frac{F}{E} = 0$	mm	5:1	EC NO: 704397 DRWN: FVETTER 2022/04/25 CHK'D: MSTEINBRUECK 2022/04/25 APPR: MSTEINBRUECK 2022/04/25
$\frac{F}{P} = 0$	GENERAL TOLERANCES (UNLESS SPECIFIED)		
DIVISIONAL SYMBOLS	ANGULAR TOL	± °	
	4 PLACES	±	
	3 PLACES	±	
	2 PLACES	±	INITIAL REVISION:
	1 PLACE	±	DRWN: VLOKESHA 2021/04/14
	0 PLACES	±	APPR: MTEUBEL 2021/11/25
DRAFT WHERE APPLICABLE MUST REMAIN WITHIN DIMENSIONS		FIRST ANGLE PROJECTION	DRAWING
			A4-SIZE
		SERIES	173112
		MATERIAL NUMBER	SEE TABLE
		CUSTOMER	GENERAL MARKET
		DOC TYPE	PSD
		DOC PART	000
		REVISION	B
		SHEET NUMBER	1 OF 1



FCT 20A HIGH POWER CONTACT FOR D-SUB

PRODUCT CUSTOMER DRAWING

DOCUMENT STATUS	P1	RELEASE DATE	2022/04/25	12:18:10
-----------------	----	--------------	------------	----------

6

5

4

3

2

1

FORMAT: master-ib-prod-A4
REVISION: J
DATE: 2020/01/14