

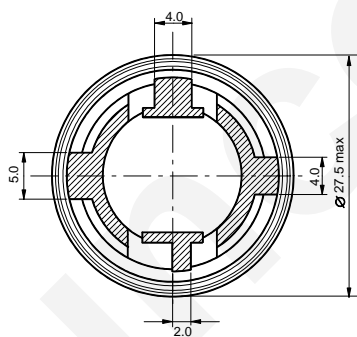
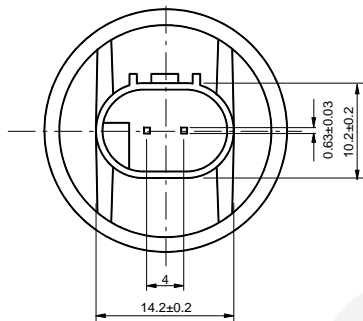
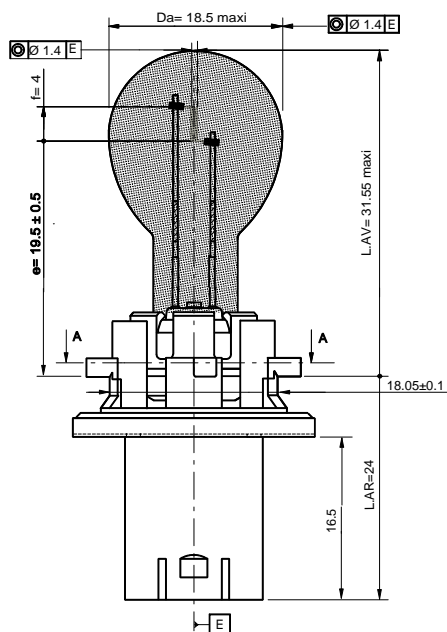


Since 1959

Product Information Sheet
HiPerClick 13,5V 24W Amber
HiPer E18 13,5V 24W PU20d/6 A

12272NA

Date : 08/21/2006



A-A

Turn signal

HiPer E18 13,5V 24W

Cap : PU20d/6

Type : 12272

Code Nr : 9246 501 171

ANSI 7014

C-8Z Straight-axial -"Z" shape

Made in France, Chartres

Product specifications are subject to modification without prior notice



BULB NOT MANUFACTURED BY CEC INDUSTRIES

Dimensions in mm

Colour	
Required area	ECE R37
Photometric values	
Photometry voltage	13,5V DC
Power	24,00 W $\pm 4,1\%$
Luminous flux	300,0 lm $+15\%$ -25%
Mechanical values	
Mechanical bulb resistance	40,0 N min.
Reliability	
Life test voltage	13,5V DC
Life test cycle	90/min - 50% - 15"ON/15"OFF (Blinking)
Lumen maintenance at	1 200 h
Lumen maintenance	70,0 % min.
Colour maintenance at	1 200 h
Life : Tc	2 400 h
Life : B3	1 200 h
Resistance to environment	
Humidity resistance, FAKRA	
Maximum permissible bulb temperature	350 °C

CEC INDUSTRIES LTD

599 Bond St, Lincolnshire, IL 60069