

NOTES:

1. MATERIALS AND FINISHES:
 BODIES, BARREL, HEX NUT, LOCKWASHER - BRASS, BLACK CHROMATE OVER NICKEL
 CONTACT - PHOSPHOR BRONZE & BRASS, GOLD PLATING
 INSULATOR - PTFE, NATURAL

2. ELECTRICAL:
 A. IMPEDANCE: 50 OHM
 B. FREQUENCY RANGE: DC 0-6 GHz
 C. DIELECTRIC WITHSTANDING VOLTAGE: 1500 VRMS, MIN.

3. MECHANICAL:
 A. DURABILITY: 500 CYCLES MIN.
 B. TEMPERATURE RANGE: -65° C TO +165° C
 C. CONNECTOR IS IP-67 COMPLIANT.
 D. COSMETIC PARAMETERS OF PLATING PER AMPHENOL SPEC. 349-50966

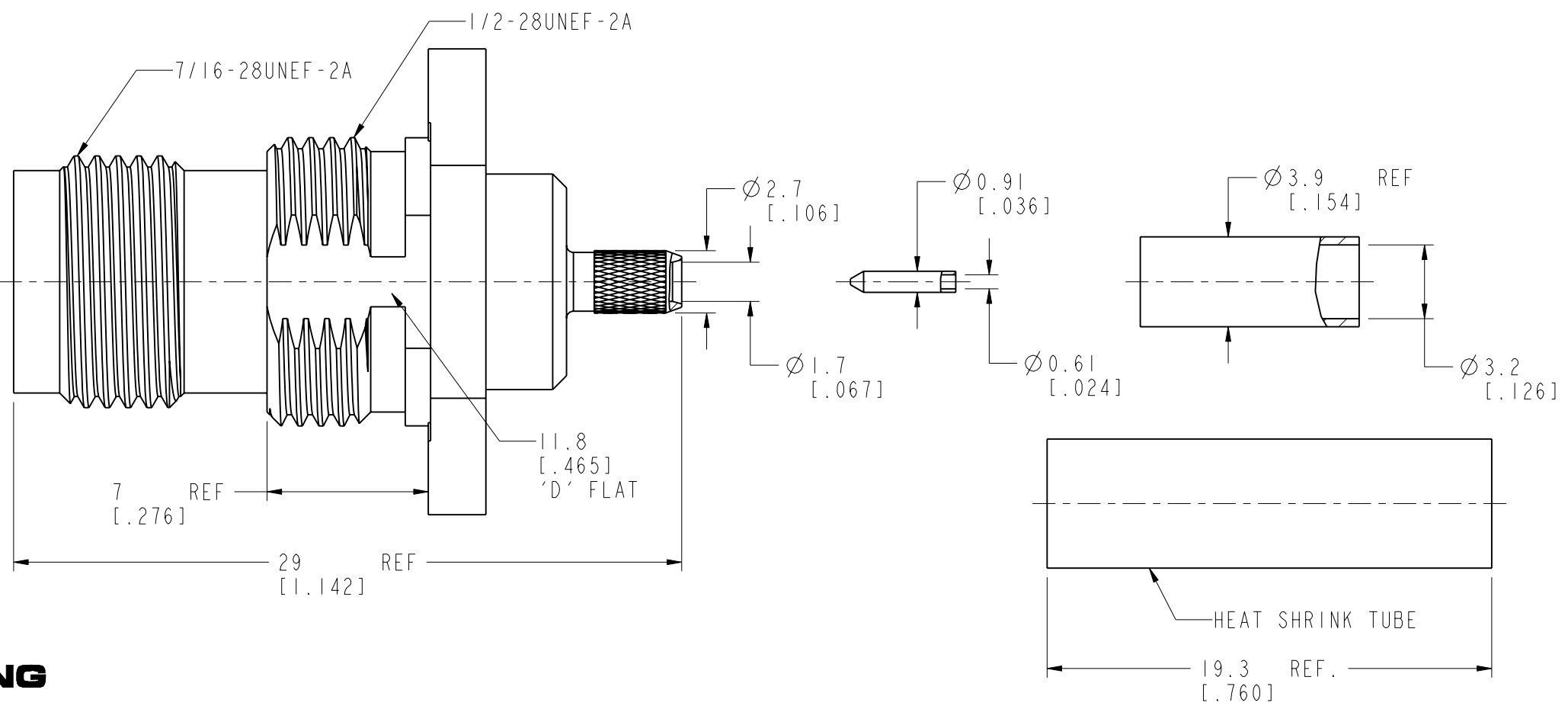
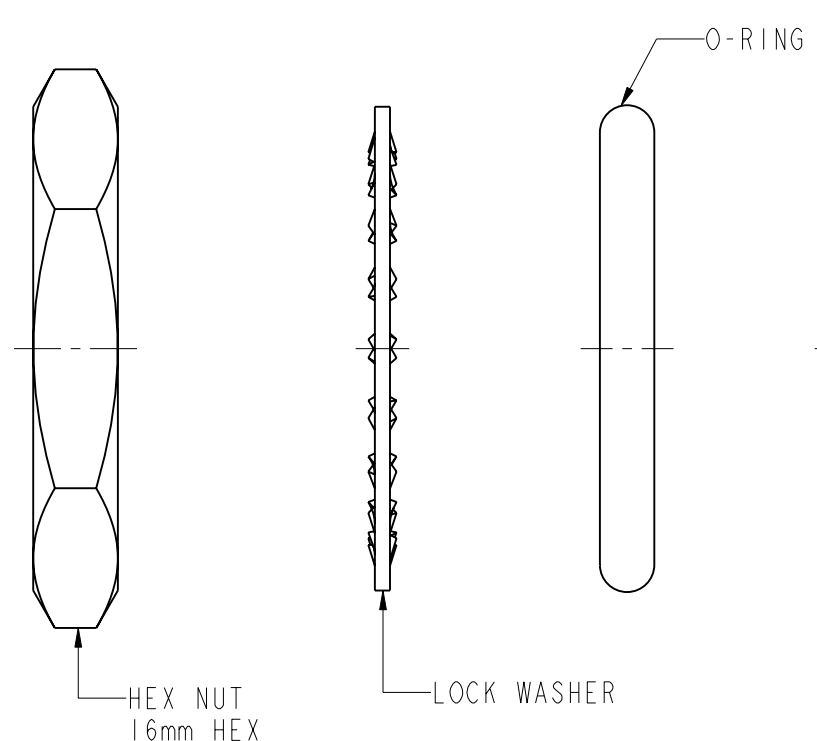
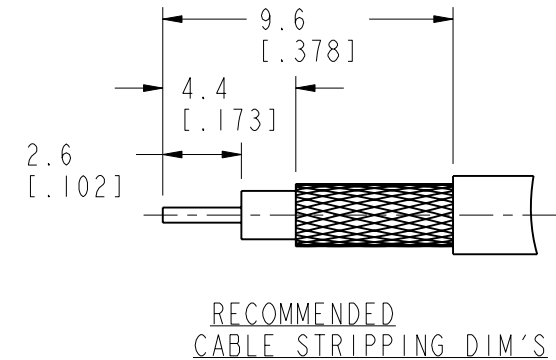
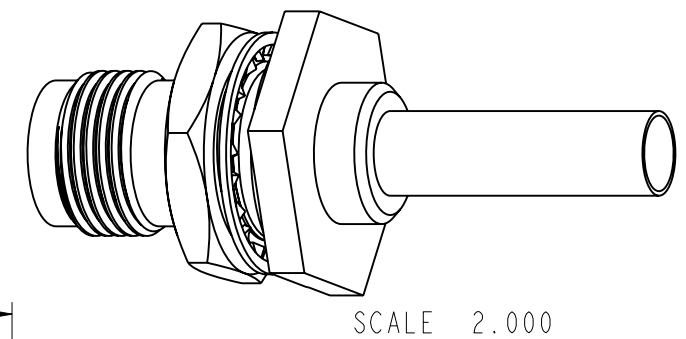
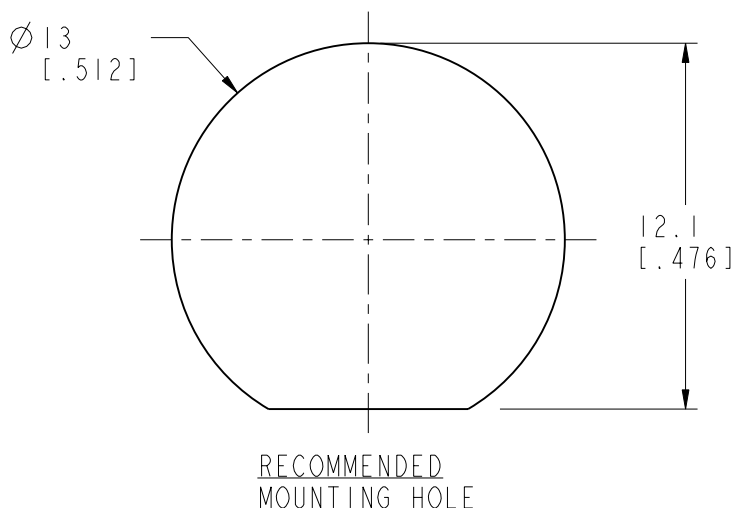
4. CRIMPED FERRULE
 HEX CRIMP SIZE .128"

5. CRIMPED CONTACT PIN
 SQ. CRIMP SIZE 0.7mm

6. MAX. PANEL THICKNESS=3.5mm

7. PACKING:
 A. SINGLE PACK
 B. MARK BAG OR TAG "AMPHENOL RF, 122192-15-BC, DATE CODE"
 C. HEX NUT, LOCK WASHER, O-RING, BULLET CONTACT, FERRULE AND HST ARE PACKAGED LOOSE

REVISIONS				
REV	DESCRIPTION	DATE	ECN	BY
A	RELEASE TO MFG.	1-JUL-22	16318	SH



CUSTOMER OUTLINE DRAWING
 ALL OTHER SHEETS ARE FOR INTERNAL USE ONLY

NOTICE: These drawings, specifications, or other data (1) are, and remain the property of Amphenol corp. (2) must be returned upon request; and (3) are confidential and not to be disclosed to any person other than those to whom they are given by Amphenol Corp. The furnishing of these drawings, specifications, or other data by Amphenol Corp., or to any other person to anyone for any purpose is not to be regarded by implication or otherwise in any manner licensing, granting rights to permitting such holder or any other person to manufacture, use or sell any product, process or design, patented or otherwise, that may in any way be related to or disclosed by said drawings, specifications, or other data.		UNLESS OTHERWISE SPECIFIED DIMENSIONS ARE METRIC (INCHES) AND TOLERANCES ARE: <0.5mm = ±0.05mm [$<0.020 = \pm 0.002$] 0.5 - 6mm = ±0.1mm [$>0.020 - 0.236 = \pm 0.004$] >6.00 - 30mm = ±0.2mm [$>0.236 - 1.181 = \pm 0.008$] >30.00 - 120mm = ±0.3mm [$>1.181 - 4.725 = \pm 0.012$] ANGLES = ±1°		MATERIAL ENGR.1 C.VIGORITO ENGR.2 JACK LIANG DATE 16-MAY-22		TITLE TNC BULKHEAD CRIMP JACK IP-67, FOR RG-174, 316 BLACK PLATED SHEET NO. 2 OF 2 SCALE: 4.0:1.0		Amphenol RF DRAWING NO. 122192-15-BC ITEM NO. 122192-15-BC PART NO. 122192-15-BC		REV A
THIRD ANGLE PROJ.	REFERENCE	EAR# 10661								