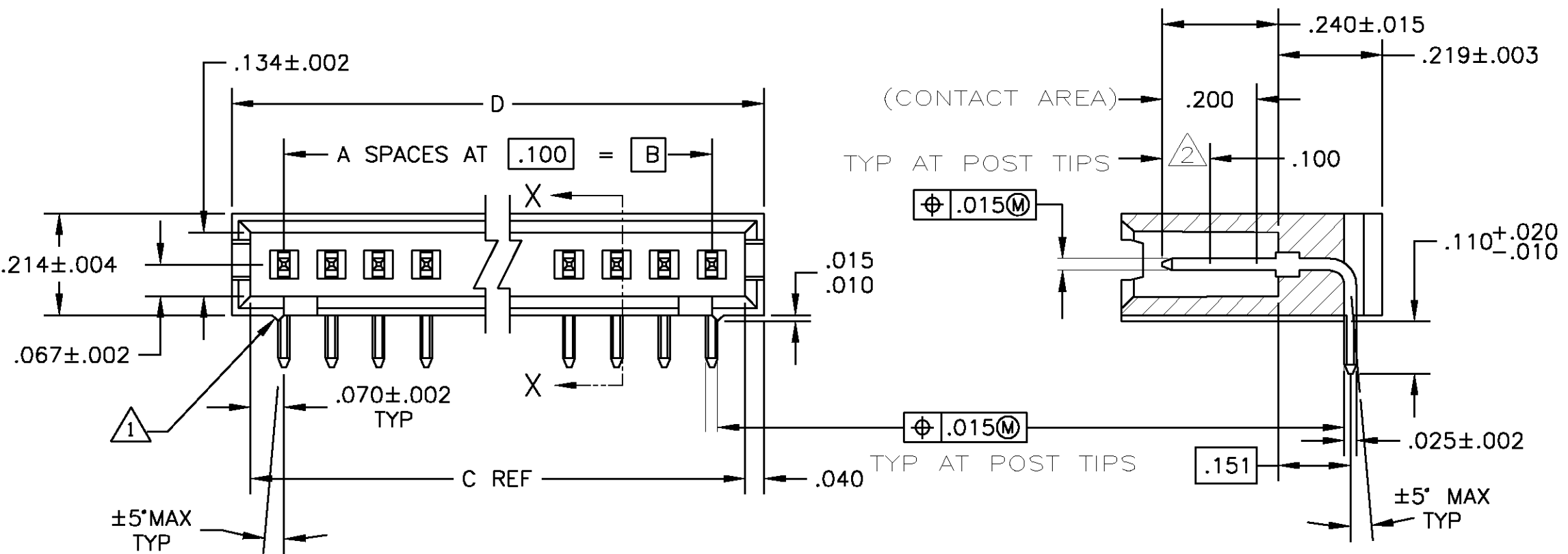
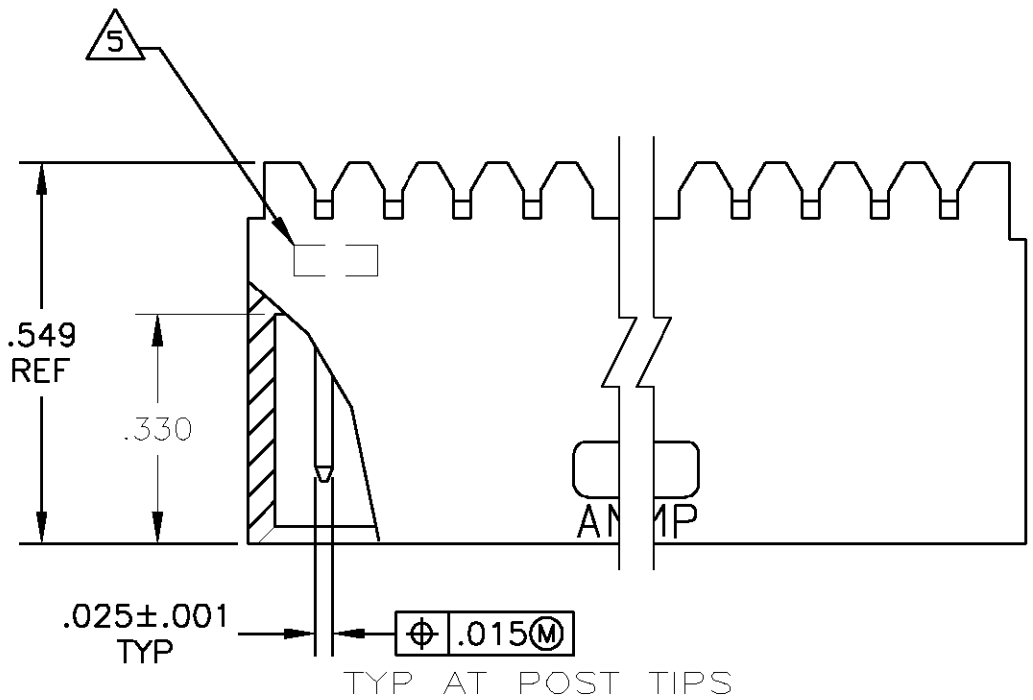
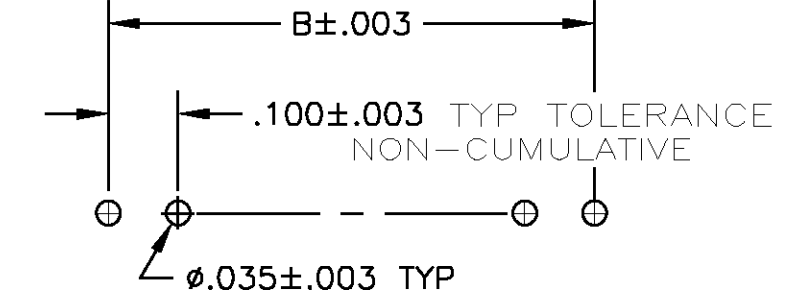
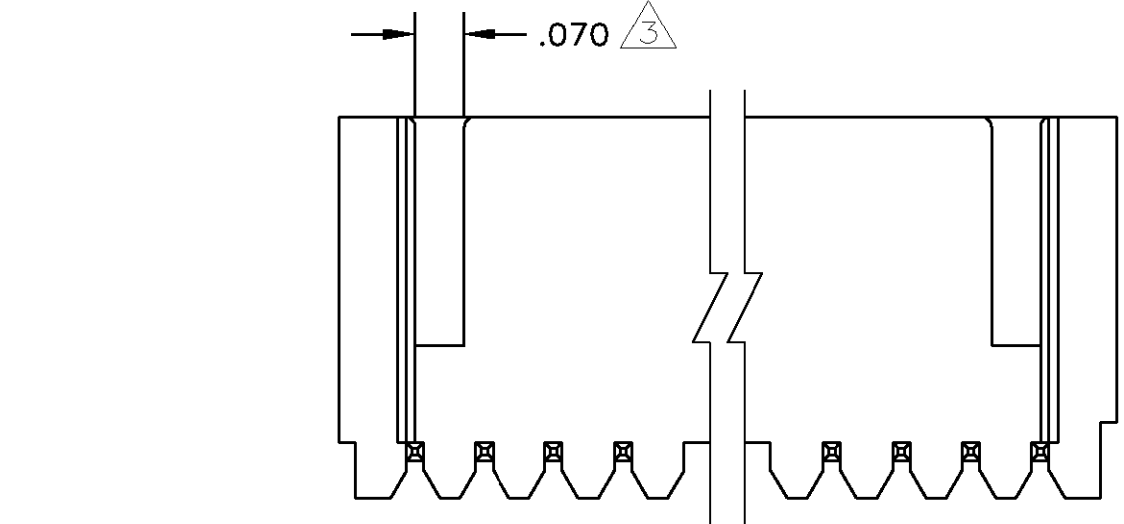


| LOC |     | DIST                 |         | REVISIONS |      |  |  |
|-----|-----|----------------------|---------|-----------|------|--|--|
| P   | LTR | DESCRIPTION          | DATE    | DWN       | APVD |  |  |
| AD  | 39  |                      |         |           |      |  |  |
| P   |     | REV PER 0G3C-0289-00 | 17JUL00 | BH        | JG   |  |  |

- 1 STANDOFFS: UP TO 9 POS-(2 REQD) ON THE OUTSIDE ENDS OF THE HOUSING  
 10 TO 19 POS-(3 REQD) TWO ON THE OUTSIDE ENDS AND ONE CENTERED ON THE HOUSING  
 19 POS AND LARGER-(4 REQD) TWO ON THE OUTSIDE ENDS AND TWO SPACED EVENLY WITHIN THE REMAINING LENGTH OF THE HOUSING
- 2 POINT OF MEASUREMENT FOR PLATING THICKNESS
- 3 FOR 3 POS (3--4 ONLY) ONE SLOT, .215 WIDE
- 4 INDICATED PARTS ARE PACKAGED IN "GANG-OF-TUBES" RECESSED DATE CODE
- 5
- 6 INDICATED PARTS ARE PACKAGED IN "SINGLE TUBES"



SECTION X-X



RECOMMENDED HOLE LAYOUT FOR MANUAL INSERTION

| 6        | .820  | .740  | .600  | 6  | 7         | 3-102203-6           |
|----------|-------|-------|-------|----|-----------|----------------------|
|          | 1.120 | 1.040 | .900  | 9  | 10        | 3-102203-5           |
|          | .420  | .340  | .200  | 2  | 3         | 3-102203-4           |
| OBSOLETE | 3.720 | 3.640 | 3.500 | 35 | 36        | 3-- -3               |
| OBSOLETE | 3.620 | 3.540 | 3.400 | 34 | 35        | 3-- -2               |
| OBSOLETE | 3.520 | 3.440 | 3.300 | 33 | 34        | 3-- -1               |
| OBSOLETE | 3.420 | 3.340 | 3.200 | 32 | 33        | 3-- -0               |
| OBSOLETE | 3.320 | 3.240 | 3.100 | 31 | 32        | 2-- -9               |
| OBSOLETE | 3.220 | 3.140 | 3.000 | 30 | 31        | 2-- -8               |
| OBSOLETE | 3.120 | 3.040 | 2.900 | 29 | 30        | 2-- -7               |
| OBSOLETE | 3.020 | 2.940 | 2.800 | 28 | 29        | 2-- -6               |
| OBSOLETE | 2.920 | 2.840 | 2.700 | 27 | 28        | 2-- -5               |
| OBSOLETE | 2.820 | 2.740 | 2.600 | 26 | 27        | 2-- -4               |
| OBSOLETE | 2.720 | 2.640 | 2.500 | 25 | 26        | 2-- -3               |
|          | 2.620 | 2.540 | 2.400 | 24 | 25        | 2-- -2               |
|          | 2.520 | 2.440 | 2.300 | 23 | 24        | 2-- -1               |
|          | 2.420 | 2.340 | 2.200 | 22 | 23        | 2-- -0               |
|          | 2.320 | 2.240 | 2.100 | 21 | 22        | 1-- -9               |
|          | 2.220 | 2.140 | 2.000 | 20 | 21        | 1-- -8               |
|          | 2.120 | 2.040 | 1.900 | 19 | 20        | 1-- -7               |
|          | 2.020 | 1.940 | 1.800 | 18 | 19        | 1-- -6               |
|          | 1.920 | 1.840 | 1.700 | 17 | 18        | 1-- -5               |
|          | 1.820 | 1.740 | 1.600 | 16 | 17        | 1-- -4               |
|          | 1.720 | 1.640 | 1.500 | 15 | 16        | 1-- -3               |
|          | 1.620 | 1.540 | 1.400 | 14 | 15        | 1-- -2               |
|          | 1.520 | 1.440 | 1.300 | 13 | 14        | 1-- -1               |
|          | 1.420 | 1.340 | 1.200 | 12 | 13        | 1-- -0               |
|          | 1.320 | 1.240 | 1.100 | 11 | 12        | -9                   |
|          | 1.220 | 1.140 | 1.000 | 10 | 11        | -8                   |
|          | 1.120 | 1.040 | .900  | 9  | 10        | -7                   |
|          | 1.020 | .940  | .800  | 8  | 9         | -6                   |
|          | .920  | .840  | .700  | 7  | 8         | -5                   |
|          | .820  | .740  | .600  | 6  | 7         | -4                   |
|          | .720  | .640  | .500  | 5  | 6         | -3                   |
|          | .620  | .540  | .400  | 4  | 5         | -2                   |
|          | .520  | .440  | .300  | 3  | 4         | 102203 -1            |
|          | D     | C     | B     | A  | NO OF POS | ASSEMBLY PART NUMBER |

THIS DRAWING IS A CONTROLLED DOCUMENT.

DWN: D. RINGLEY 6-11-85  
 CHK: -  
 APVD: D. DUPLER 6-11-85

TOLERANCES UNLESS OTHERWISE SPECIFIED:  
 0 PLC ± -  
 1 PLC ± -  
 2 PLC ± -  
 3 PLC ± .005  
 4 PLC ± -  
 ANGLES ± -

MATERIAL: RETARDANT THERMOPLASTIC, COLOR-BLACK, POSTS-PHOS BRONZE  
 FINISH: CONTACT AREA, .00100-.00200 MATTE TIN-LEAD ON THE SOLDER TAIL, ALL OVER .000050 NICKEL

AMP Tyco Electronics Corporation  
 Harrisburg, PA 17105

ASSEMBLY, MOD II, HEADER, SINGLE ROW, .100 C/L, RIGHT ANGLE, WITH .025 SQ. POST

SIZE: A2 CAGE CODE: 00779 DRAWING NO: C-102203 RESTRICTED TO: -  
 WEIGHT: - SCALE: 4:1 SHEET: 1 OF 1 REV: P